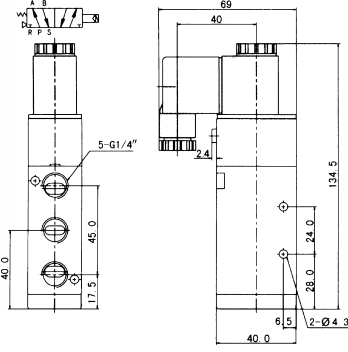


300 Series Control Valve

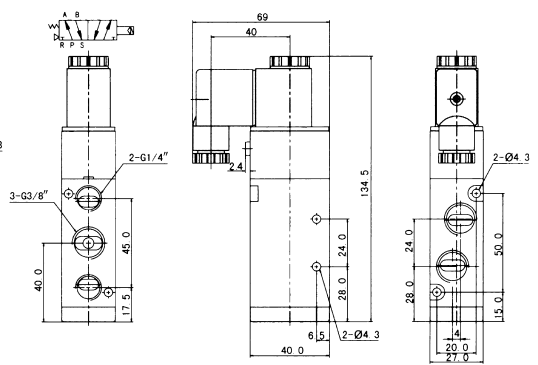
Dimension(mm):



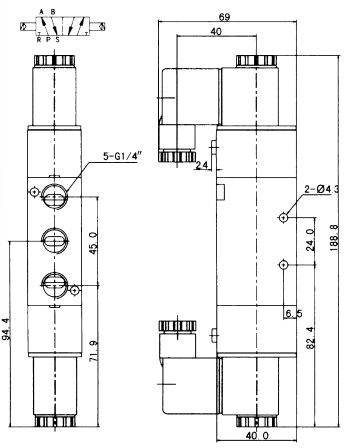
4V310-08



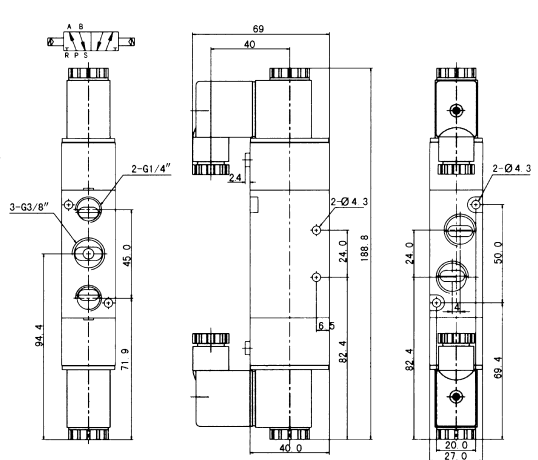
4V310-10



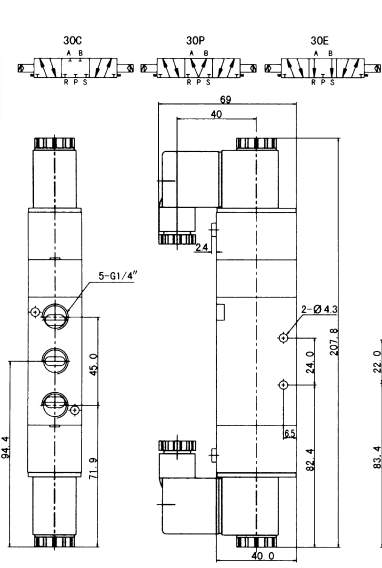
4V320-08



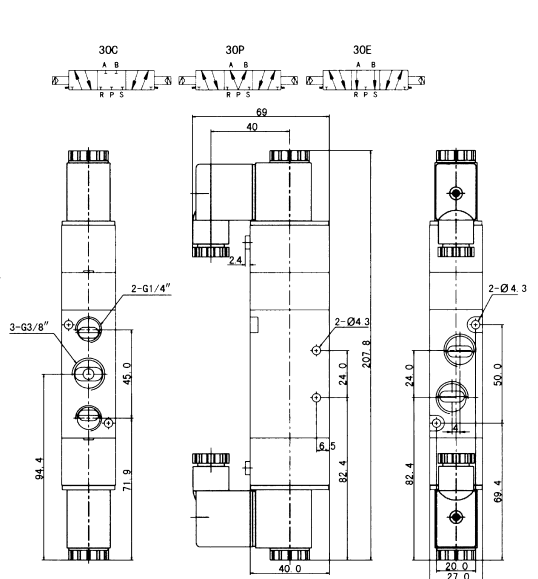
4V320-10



4V330-08

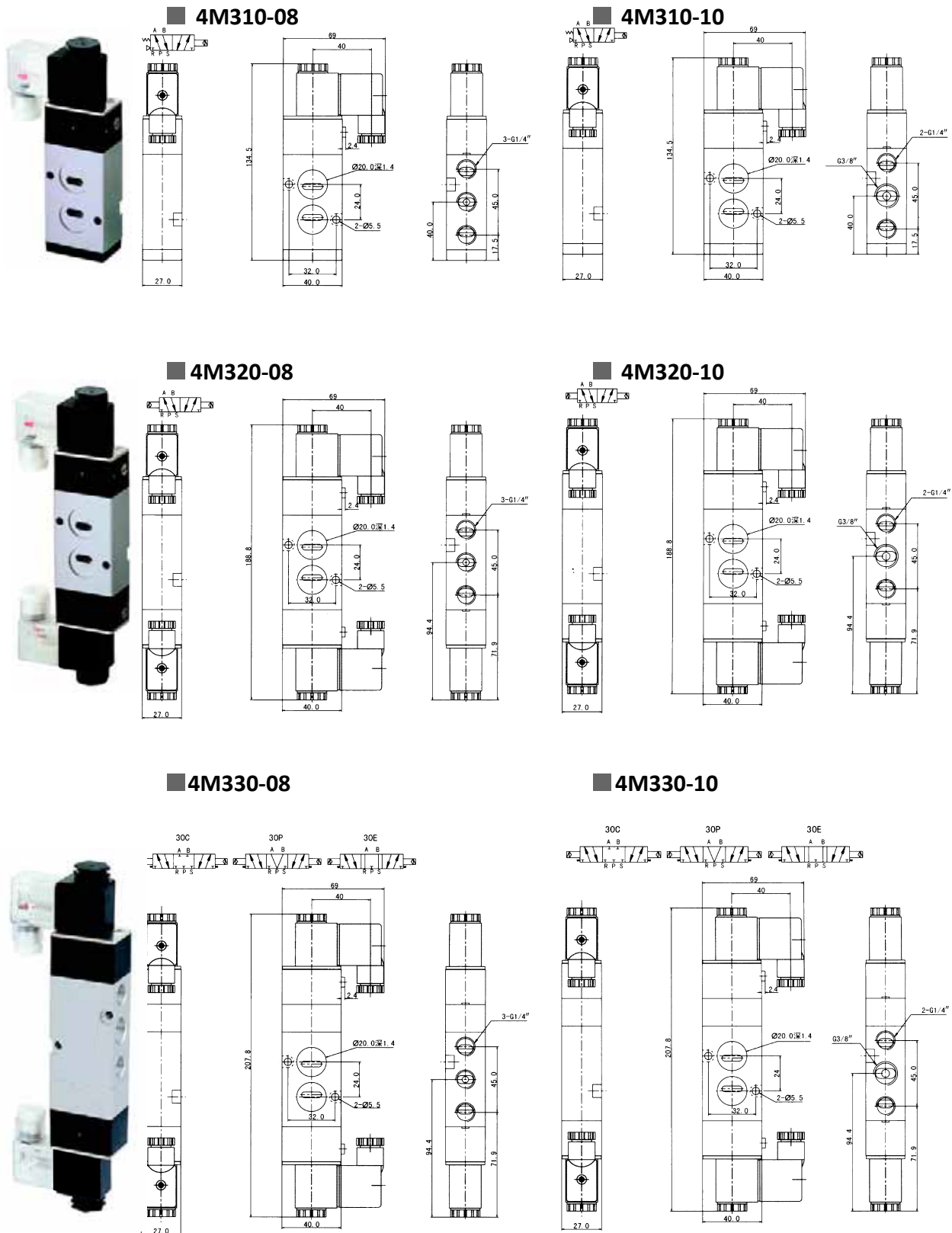


4V330-10



300 Series Control Valve

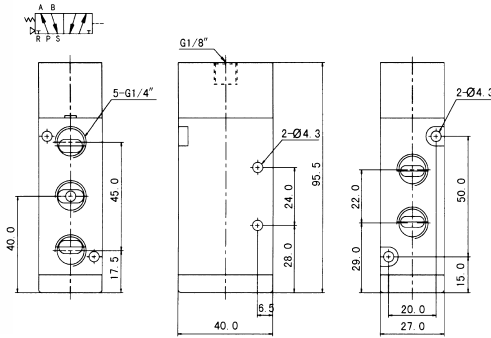
Dimension(mm):



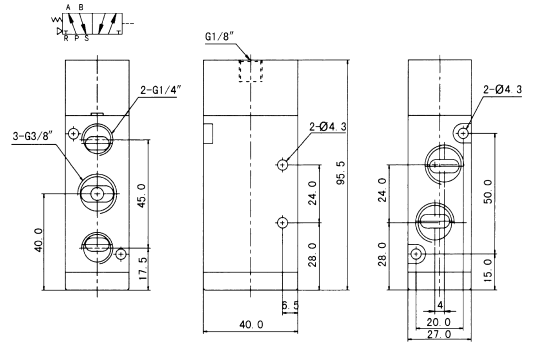
300 Series Control Valve

Dimension(mm):

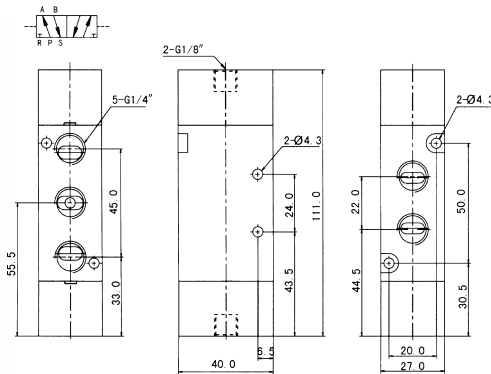
■ 4A310-08



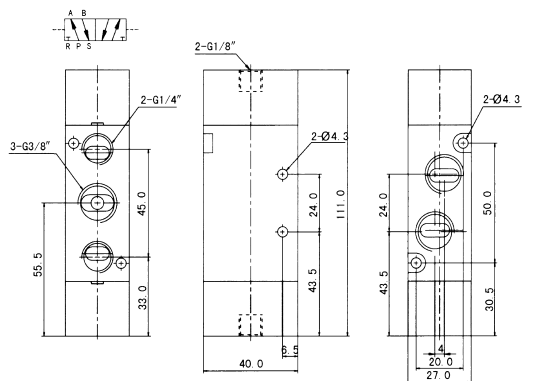
■ 4A310-10



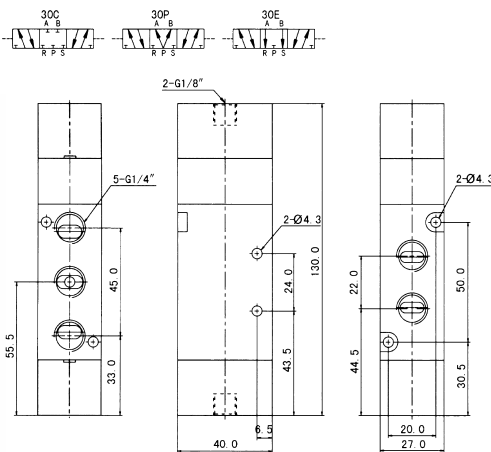
■ 4A320-08



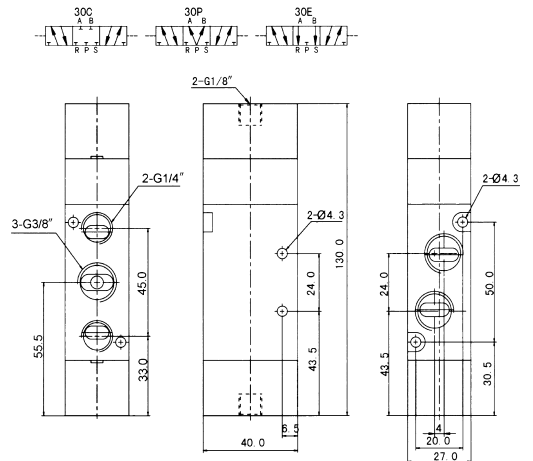
■ 4A320-10



■ 4A330-08



■ 4A330-10

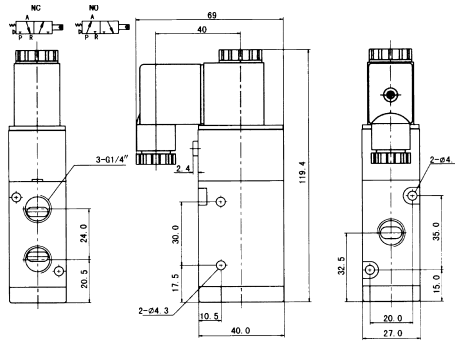


300 Series Control Valve

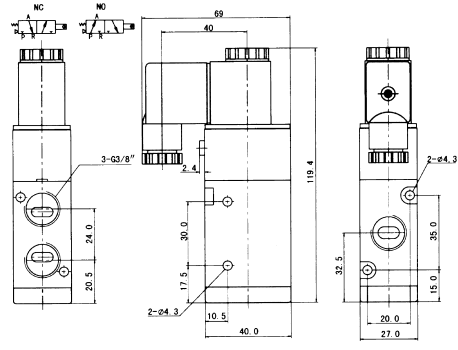
Dimension(mm):



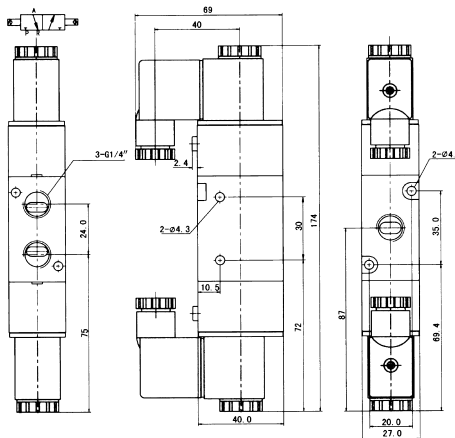
■ 3V310-08



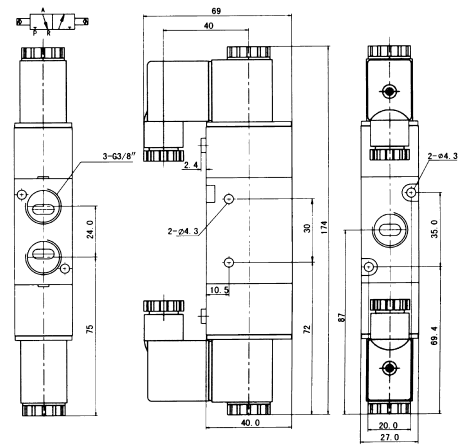
■ 3V310-10



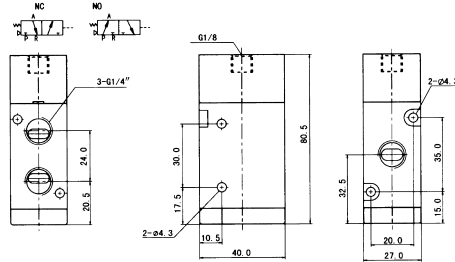
■ 3V320-08



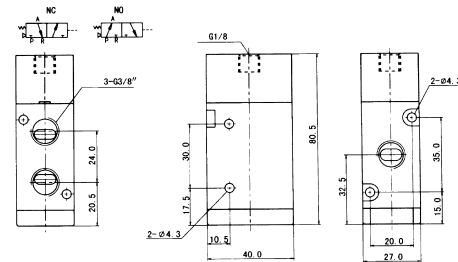
■ 3V320-10



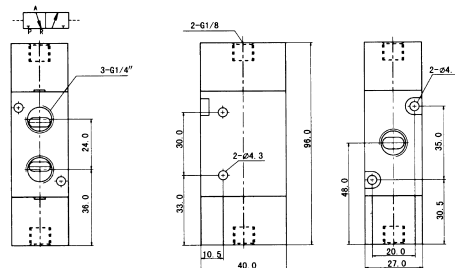
■ 3A310-08



■ 3V310-10



■ 3A320-08



■ 3A320-10

