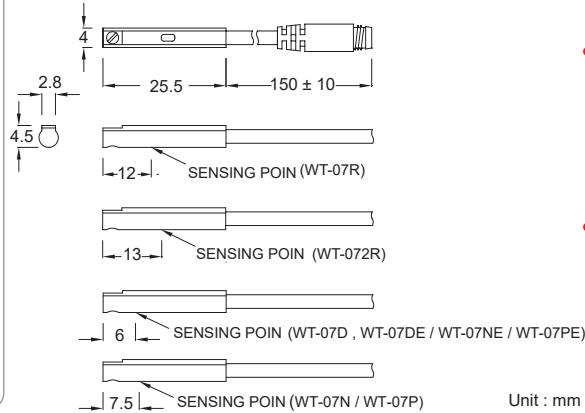


Winman WT-07 Serisi / WT-07 Series

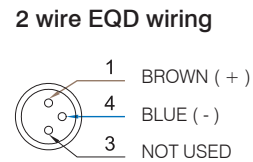
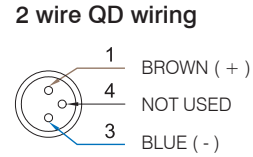
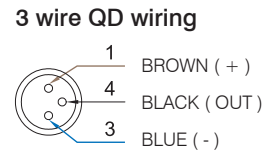


Boyutlar / Dimensions

WT-07R, WT-072R, WT-07D, WT-07DE, WT-07N, WT-07NE, WT-07P, WT-07PE / WT-07R-QD, WT-072R-QD, WT-07D-QD, WT-07DE-QD, WT-07N-QD, WT-07NE-QD, WT-07P-QD, WT-07PE-QD



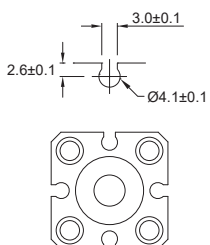
Pin Yapısı / QD Pinout



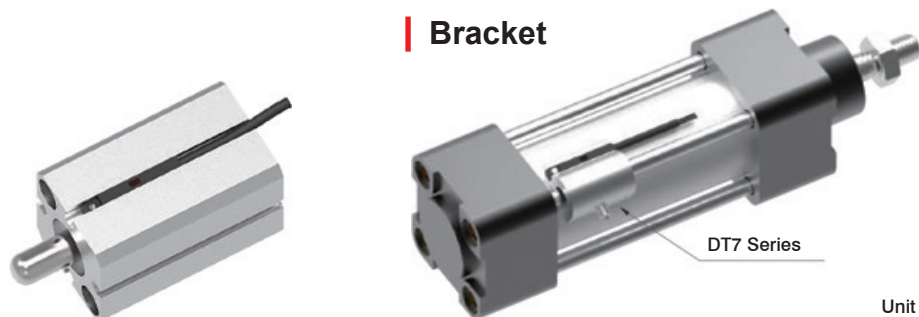
Model	WT-07R	WT-072R	WT-07D	WT-07DE	WT-07N	WT-07NE	WT-07P	WT-07PE	
Connect Diagram									
Characteristics									
Wiring Method	2-Wire Type				3-Wire Type				
Switching Logic	SPST, Normally Open			Solid State Output, Normally Open					
Sensor Type	Reed Switch		-		NPN Current Sinking		PNP Current Sourcing		
Operating Voltage	5 ~ 120 V DC / AC		5 ~ 240 V DC / AC		10 ~ 28 V DC		5 ~ 30 V DC		
Switching Current	100 mA max.		4 ~ 40 mA max.		50 mA max.		200 mA max.		
Contact Rating *1	10 W max.		1.1 W max.		1.5 W max.		6 W max.		
Current Consumption	-				8 mA @ 24 V DC max.		6 mA @ 24 V DC max.		
Voltage Drop	3.5 V max.			3.7 V max.		1 V @ 200 mA max.		0.5 V @ 200 mA max.	
Leakage Current	-		1 mA max.		0.1 mA (40 uA) max.		0.01 mA max.		
Indicator	Red LED		Green LED		Red LED		Green LED		
Cable	Ø2.8, 2C, PUR				Ø2.8, 3C, PUR				
Operating Frequency	200 Hz		1000 Hz max.						
Magnet Requirement *2	70 Gauss		40 Gauss		40 ~ 1000 Gauss		40 Gauss		
Temperature Range	-10 ~ 70 °C								
Shock *3	30 G			50 G					
Vibration *4	9 G								
Enclosure Classification	IEC 60529 IP67								
Protection Circuit *5	1		4		3, 4		2, 3, 4		

NOTE:
 *1 : WARNING : Never exceed rating (Watt = Voltage x Amperage). Permanent damage to sensor will occur.
 *2 : Measuring standard target : Ø15.5 × Ø8 × 5t (Anisotropy rubber magnet)
 *3 : Sin wave / X , Y , Z 3 directions / 3 times each direction / 11 ms each time.
 *4 : Double amplitude 1.5 mm / 10 Hz ~ 55 Hz ~ 10 Hz (Sweep 1 min) / X , Y , Z 3 directions / 1 hour each time.
 *5 : 1 = None / 2 = Short-circuit / 3 = Power Source Reverse polarity / 4 = Surge Suppression

Groove Dimensions



Bracket



Unit : mm