

## Preparation unit G Series

### GPF Series Oil mist filter

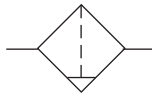


#### Specification

Model	GPF20006	GPF20008	GPF30008	GPF30010	GPF40010	GPF40015
Fluid	Air					
Port size [Note1]	1/8"	1/4"	1/4"	3/8"	3/8"	1/2"
Filtering grade	M	0.3 μm (Capture efficiency 99.9%)				
	D	0.1 μm (Capture efficiency 99.9%)				
Pressure range	0.15 ~ 1.0MPa					
Proof pressure	1.5MPa					
Temperature range	-5 ~ 70°C(Unfreeze)					
Bowl Material	Polycarbonate, Nylon, Metal					
Capacity of drain bowl	19CC		54.5CC		89CC	
Weight	PC bowl		356g		620g	
	Metallic bowl		397g		627g	

[Note1] PT thread, G thread and NPT thread are available.

#### Symbol



#### Product feature

1. Low pressure drop, high oil mist remove efficiency up to 99% and large drain bowl.
2. 0.3 μm filtering grade are available.
3. Two drain types are available: manual and semi-auto drain, and automatic drain.
4. To meet the needs of different environment the bowl material has Poly Carbonate, nylon and metal can be selected.
5. Monomeric products can select the bracket for installation, others can be used with F.R.L Combination.

#### Ordering Code

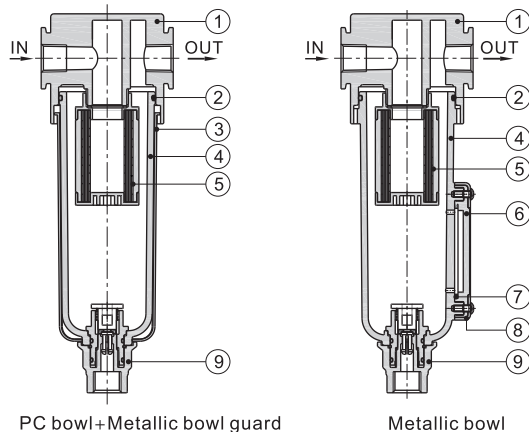
**GPF300**  **08**   **M** **G**

1 2 3 4 5 6 7

① Model	② Bowl Material	③ Port size	④ Drain type	⑤ Accessories	⑥ Filtering grade	⑦ Thread type
GPF200: 200 Series Oil mist filter	Blank: PC bowl+Metallic bowl guard C: Metallic bowl N: Nylon bowl+Metallic bowl guard	06: 1/8" 08: 1/4"	Blank: Manual and Semi-auto drain A: Automatic drain	Blank: Bracket J: No bracket	M: 0.3 μm D: 0.01 μm	Blank: PT G: G T: NPT
GPF300: 300 Series Oil mist filter		08: 1/4" 10: 3/8"				
GPF400: 400 Series Oil mist filter		10: 3/8" 15: 1/2"				

#### Inner structure

##### GPF300

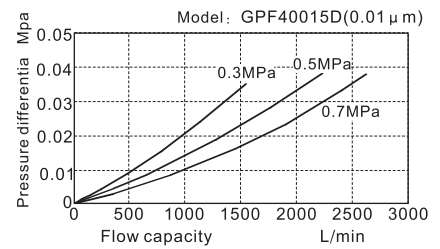
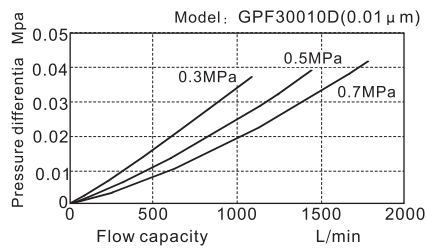
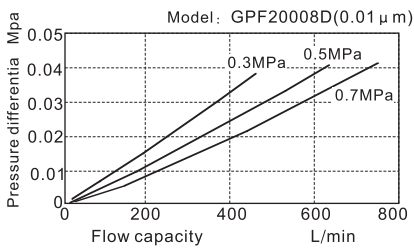
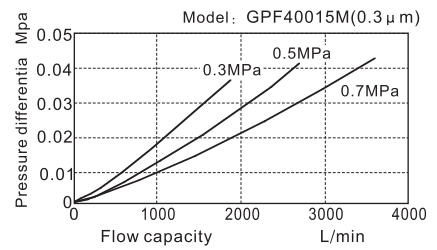
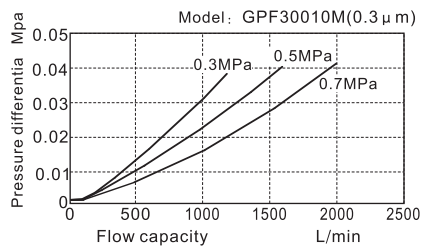
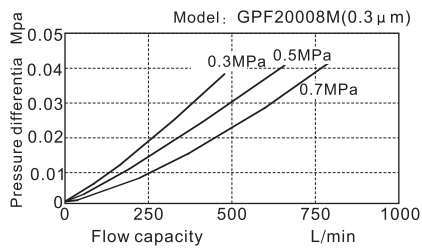


No.	Item	Material
1	Body	Aluminium alloy
2	O-ring	NBR
3	Meter cover	SPCC
4	Drain bowl	PC\nylon\aluminium alloy
5	Filter core	Polymer materials
6	Liquid meter cover	PC
7	Liquid meter seal	NBR
8	Liquid meter inside cover	SPCC
9	Drain connection	Plastic

## Preparation unit G Series

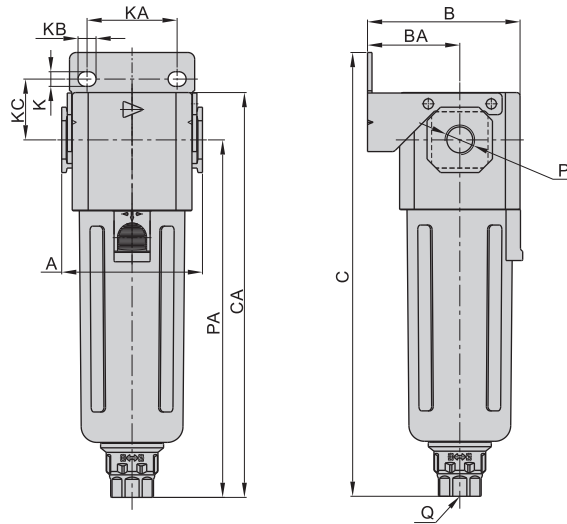
### GPF Series Oil mist filter

#### Flow chart

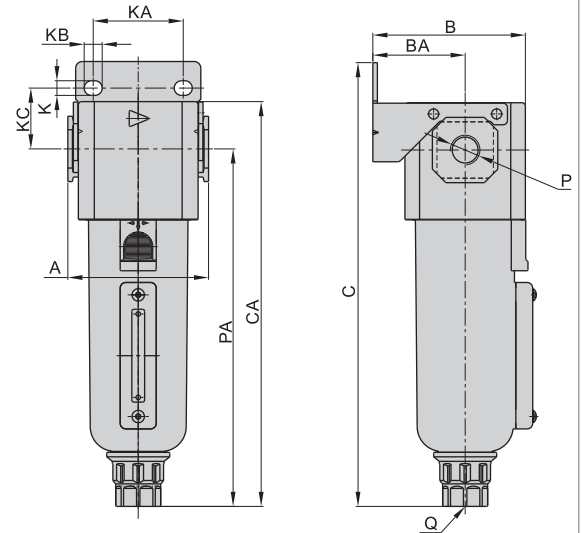


#### Dimensions

##### PC bowl+Metallic bowl guard



##### Metallic bowl



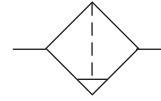
Model\Item	A	B	BA	C	CA	K	KA	KB	KC	P	PA	Q
GPF200(C/N)06	52.5	54.5	33	150	137	5.4	27	8.4	23	1/8"	120	M5X0.8
GPF200(C/N)08	52.5	54.5	33	150	137	5.4	27	8.4	23	1/4"	120	M5X0.8
GPF300(C/N)08	62.5	67.8	41	197	179	6.5	40	8	27	1/4"	158	G1/4
GPF300(C/N)10	62.5	67.8	41	197	179	6.5	40	8	27	3/8"	158	G1/4
GPF400(C/N)10	80	84	50	220	202.5	8.5	55	11	33.5	3/8"	177.5	G1/4
GPF400(C/N)15	80	84	50	220	202.5	8.5	55	11	33.5	1/2"	177.5	G1/4

## Preparation unit GA Series

### GAF Series Filter



#### Symbol



#### Product feature

1. Unique diversion structure spins the air flowing through to effectively separate the liquid from the air and reliably filter the solid grain.
2. It has low pressure loss, high efficiency in separating water and large drain bowl capacity.
3. Filtering grade includes 5  $\mu\text{m}$  and 40  $\mu\text{m}$  (Optional).
4. Three drain types are available : manual drain, semi- auto drain and automatic drain.
5. Two drain types are available : semi-auto drain and automatic drain.
6. Three material of bowl are available : PC, Nylon and metal.
7. The bracket can be selected for installation.

#### Specification

Model	GAF200-06	GAF200-08	GAF300-08	GAF300-10	GAF400-08	GAF400-10	GAF400-15	GAF600-20	GAF600-25
Fluid	Air								
Port size [Note1]	1/8"	1/4"	1/4"	3/8"	1/4"	3/8"	1/2"	3/4"	1"
Filtering grade	40 $\mu\text{m}$ or 5 $\mu\text{m}$								
Pressure range	0.15~1.0MPa(20~ 15psi)								
Proof pressure	1.5MPa(2215psi)								
Temperature range	-5~70°C(Unfreeze)								
Capacity of drain bowl	25CC		60CC			100CC		205CC	
Weight	200g		360g			640g		1040g	

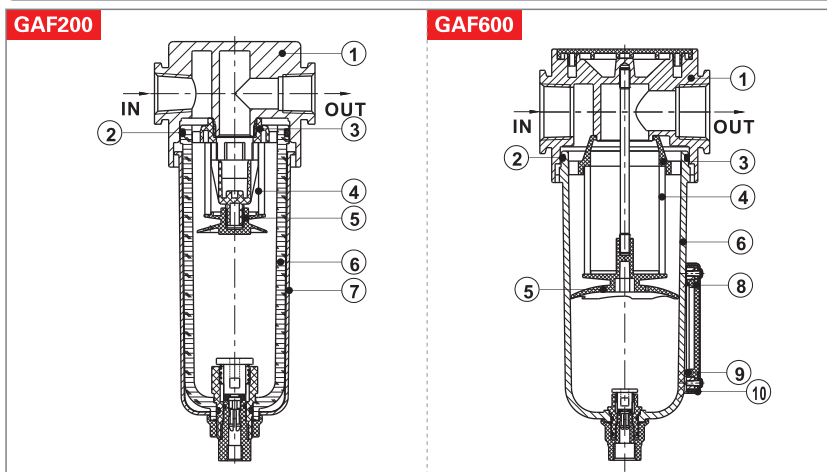
#### Ordering Code

GAF 300 □ 10 □ □ W G

① ② ③ ④ ⑤ ⑥ ⑦

① Model	② Bowl material	③ Port size	④ Drain type	⑤ Accessories	⑥ Filtering grade	⑦ Thread type
GAF200:GA200 Series Filter	Blank: PC bowl	06: 1/8" 08: 1/4"	Blank: Semi-auto drain +Manual drain A: Automatic drain	Blank: Bracket J: No bracket	Blank: 40 $\mu\text{m}$ W: 5 $\mu\text{m}$	Blank: PT G: G T: NPT
GAF300:GA300 Series Filter	C: Metal bowl	08: 1/4" 10: 3/8"				
GAF400:GA400 Series Filter	N: Nylon bowl	08: 1/4" 10: 3/8" 15: 1/2"				
GAF600:GA600 Series Filterlator	C: Metal bowl	20: 3/4" 25: 1"				

#### Inner structure

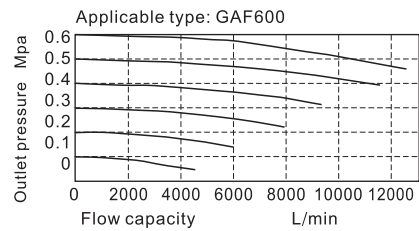
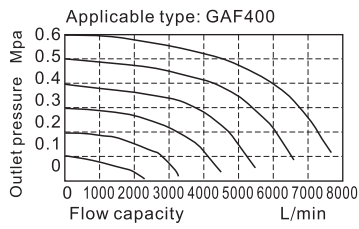
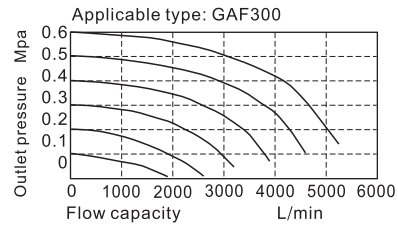
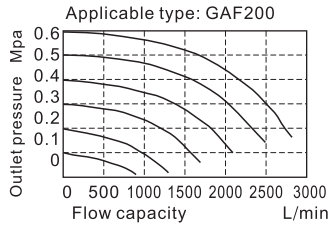


No.	Item	Material
1	Body	Aluminum alloy
2	O-ring	NBR
3	Air guide	High viscosity POM
4	Filter core	HDPE
5	Umbrella baffle	High viscosity POM
6	Drain bowl	Aluminum alloy\PC\Nylon
7	Meter cover	SPCC
8	Liquid meter inside cover	PC
9	Liquid meter seal	NBR
10	Liquid meter cover	SPCC

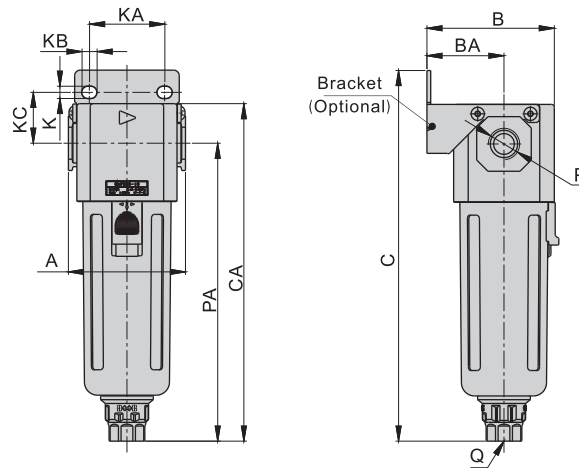
## Preparation unit GA Series

### GAF Series Filter

#### Flow chart



#### Dimensions



Model\Item	A	B	BA	C	CA	K	KA	KB	KC	P	PA	Q
GAF200-06	52.5	54.5	33	150	137	5.4	27	8.4	23	1/8"	120	M5X0.8
GAF200-08	52.5	54.5	33	150	137	5.4	27	8.4	23	1/4"	120	M5X0.8
GAF300-08	62.5	67.5	41	197	179	6.5	40	8	27	1/4"	158	G1/4
GAF300-10	62.5	67.5	41	197	179	6.5	40	8	27	3/8"	158	G1/4
GAF400-08	80	84	50	220	202.5	8.5	55	11	33.5	1/4"	177.5	G1/4
GAF400-10	80	84	50	220	205.5	8.5	55	11	33.5	3/8"	177.5	G1/4
GAF400-15	80	84	50	220	202.5	8.5	55	11	33.5	1/2"	177.5	G1/4
GAF600-20	100	113	70	266	242	11	66	13	50	3/4"	205	G1/4
GAF600-25	100	113	70	266	242	11	66	13	50	1"	205	G1/4