

Winman Kod Açıklama / Code Description

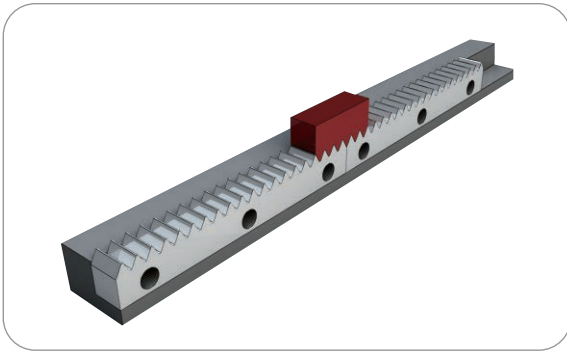
Material	Rack Type	Shape	Treatment of Tooth	Hardness	Module	Lenght	Holes	Sides Ground
C	S	T	G	H/Q	20	05	N	G
WC=S45C WM=SCM440	S = Straight H=Helical	T=Tetragon R=Round	G=Ground M=Milled	H=Hardened Q=Tempered & quenched Without Hardness	M2	05=500mm 10=1,000mm	N=No Holes	G=Sides Ground

Montaj Talimatı / Assembling Instruction

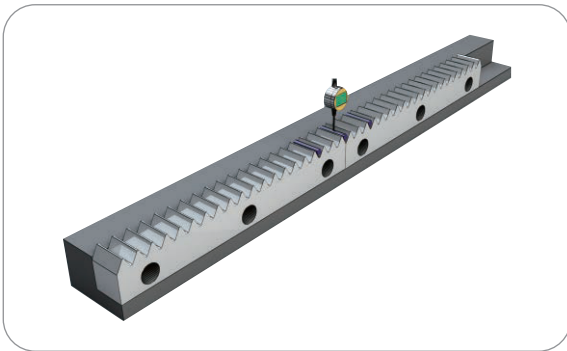
The racks can be connected to any length. The gap between two adjacent racks should be adjusted to match the pitch. Locking pins should be used when assembling the racks.



1. Fix the rack.



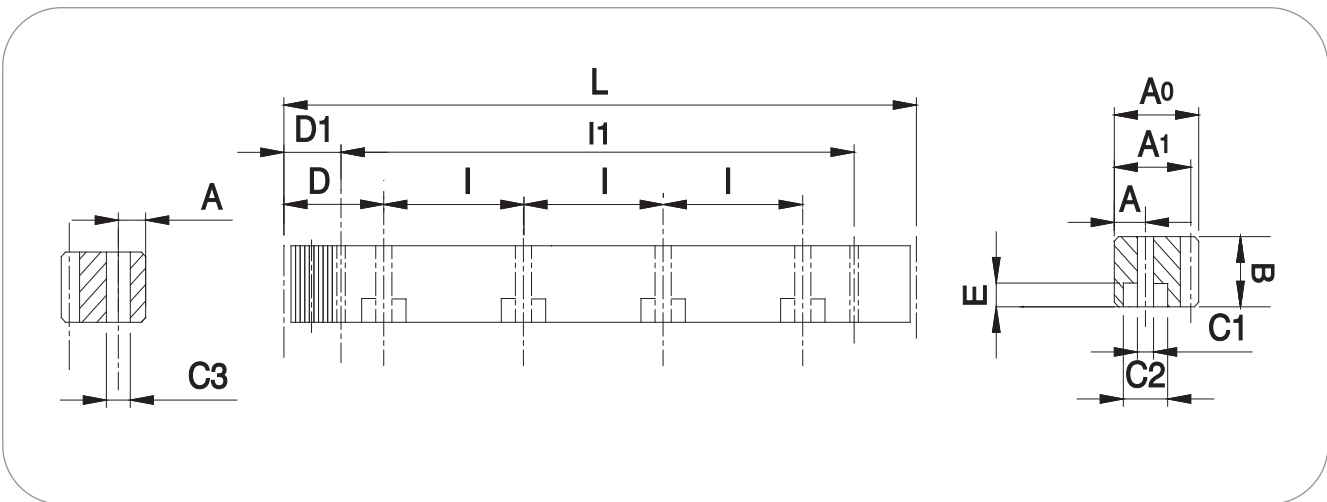
1. Use opposite tooth gauge to fix next ack.



1. Check every joint and measure the levelling of the racks with round bars.

Winman Kod Açıklama / Code Description
Üretim Açıklaması / Manufacturing Description

Precision Grade	DIN 8e27
Material	S45C
Type	Straight Rack
Threatment of Teeth	Milled
Hardness	HRC 18 ~ 20 degree
Sides Ground	not Included
Pressure Angle	20 Degree
Total Pitch Error	0.1 mm / 1000 mm

Teknik Çizim / Technical Drawings

Boyutlar / Dimensions

Code	Module	L	Tooth No.	B	A0	A1	D	I	Hole No.	A	C1	C2	E	D1	I1	C3
WCSTMQ 010 05	1	499.51	159	15	15	14	-	-	-	-	-	-	-	-	-	-
WCSTMQ 015 05	1.5	499.51	106	19	19	17.5	62.44	124.88	4	8	7	11	7	29	441.5	5.7
WCSTMQ 015 10	1.5	999.03	212	19	19	17.5	62.44	124.88	8	8	7	11	7	29	641	5.7
WCSTMQ 020 05	2	502.65	80	24	24	22	62.83	125.66	4	8	7	11	7	31.3	440.1	5.7
WCSTMQ 020 10	2	1005.31	160	24	24	22	62.83	125.66	8	8	7	11	7	31.3	942.7	5.7
WCSTMQ 030 05	3	508.94	54	29	29	26	63.62	127.23	4	9	10	15	9	34.4	440.1	7.7
WCSTMQ 030 10	3	1017.88	108	29	29	26	63.62	127.23	8	9	10	15	9	34.4	949.1	7.7
WCSTMQ 040 05	4	502.65	40	39	39	35	62.83	125.66	4	12	10	15	9	37.5	427.7	7.7
WCSTMQ 040 10	4	1005.31	80	39	39	35	62.83	125.66	8	12	10	15	9	37.5	930.3	7.7
WCSTMQ 050 05	5	502.65	32	49	39	34	62.83	125.66	4	12	14	20	13	30.1	442.4	11.7
WCSTMQ 050 10	5	1005.31	64	49	39	34	62.83	125.66	8	12	14	20	13	30.1	945.0	11.7
WCSTMQ 060 05	6	508.94	27	59	49	43	63.62	127.23	4	16	18	26	17	31.4	446.1	15.7
WCSTMQ 060 10	6	1017.88	54	59	49	43	63.62	127.23	8	16	18	26	17	31.4	955.0	15.7
WCSTMQ 080 05	8	502.65	20	79	79	71	62.83	125.66	4	25	22	33	21	26.6	449.5	19.7
WCSTMQ 080 10	8	1005.31	40	79	79	71	62.83	125.66	8	25	22	33	21	26.6	952	19.7
WCSTMQ 100 10	10	1005.31	32	99	99	89	62.83	125.66	8	32	33	48	32	125.7	753.96	19.7