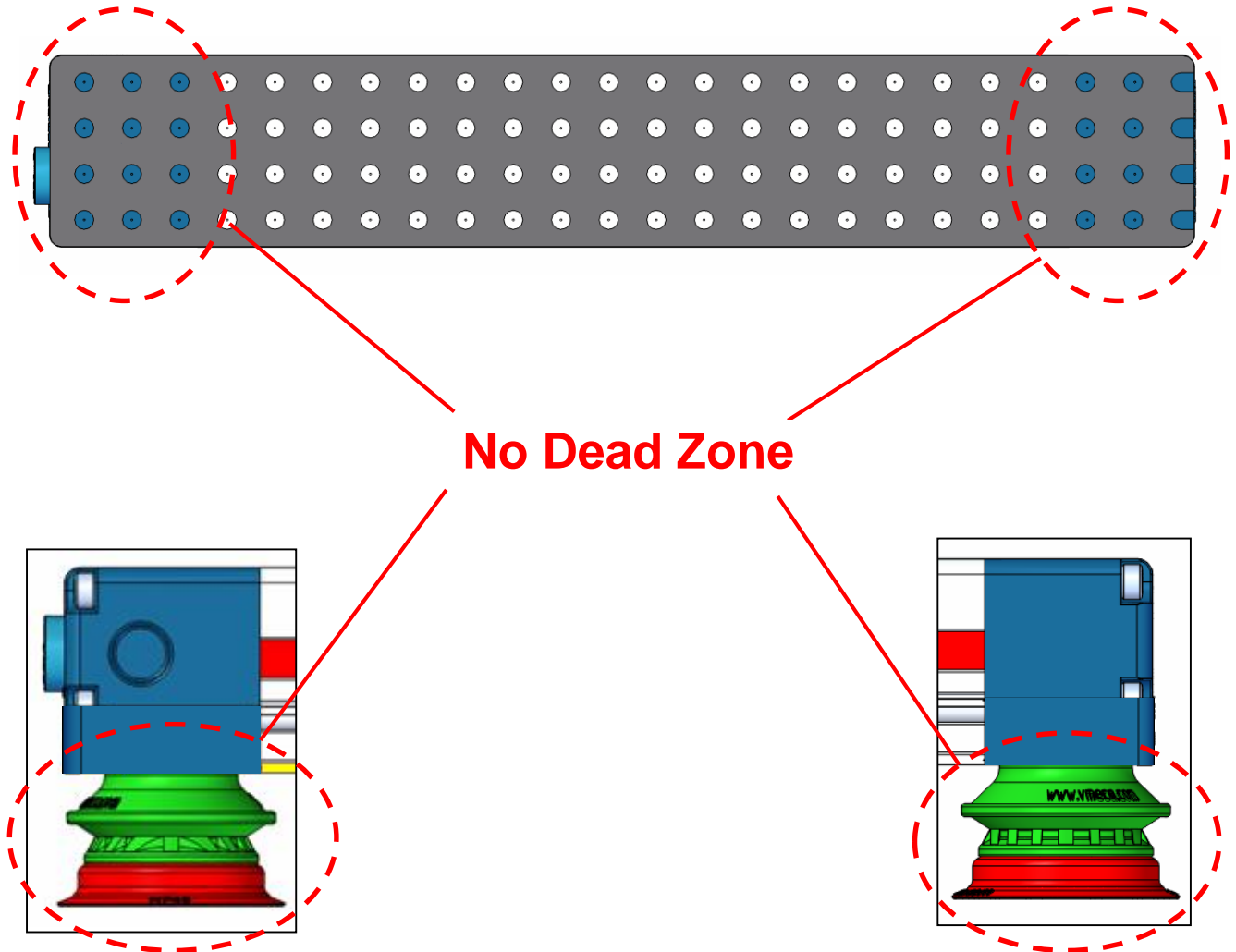


Features and Strengths

- No vacuum dead-zone
- High holding force and compact
- Integrated high flow vacuum pump (VMECA vacuum cartridge pump)
- Various objects can be handled by wide option ranges
- Available any gripper lengths (up to 2,000 mm)
- Profile body frame structure
- Light Weight
- Easy mounting (with T-slot design)
- 2 air supply port (top and side)
- Handles various goods with different shapes, size, and porous

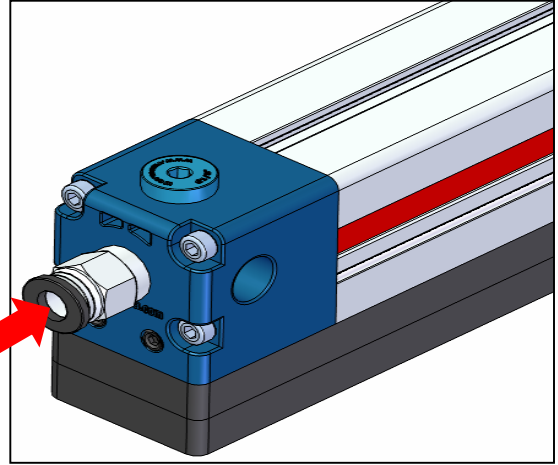
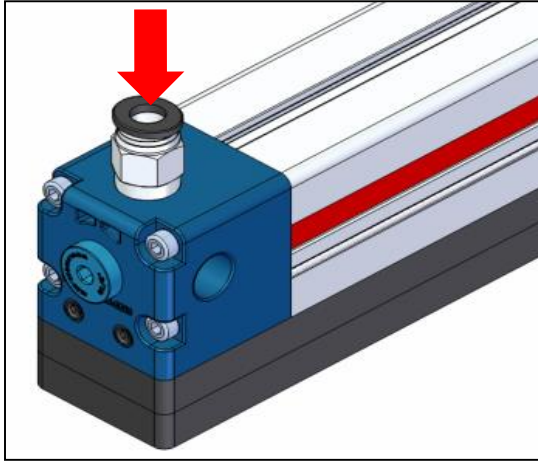


Structure



Mini V-Grip G40

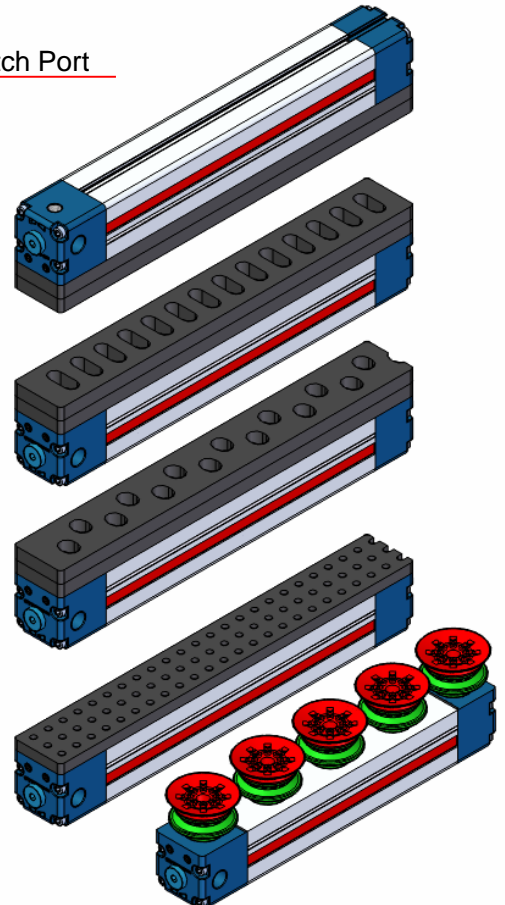
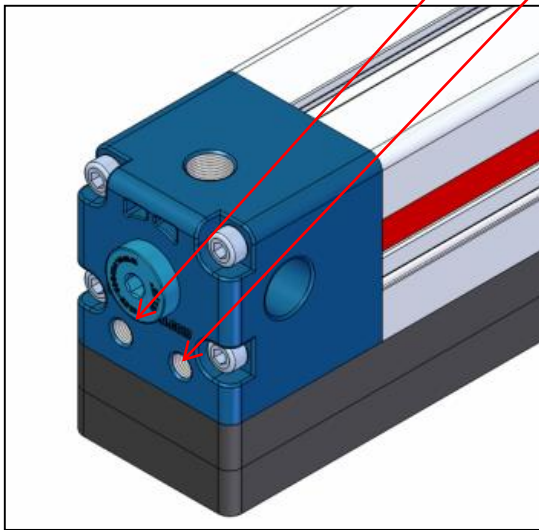
- ▶ 2 air supply port (top and side)



- ▶ Can have a Vacuum Release and Digital Sensor

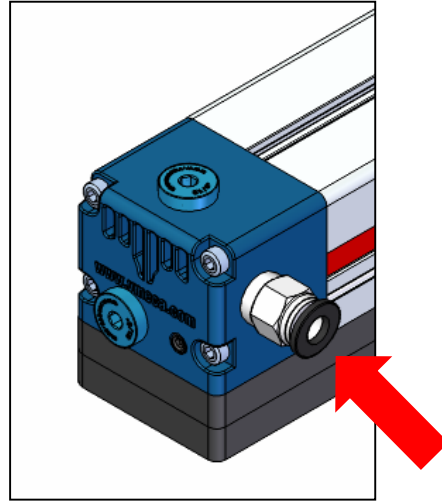
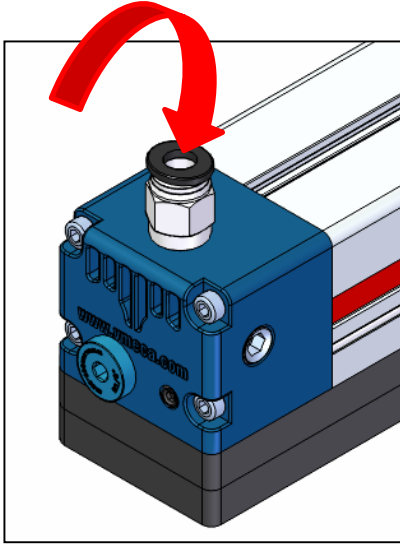
Vacuum Release Port

Vacuum Switch Port

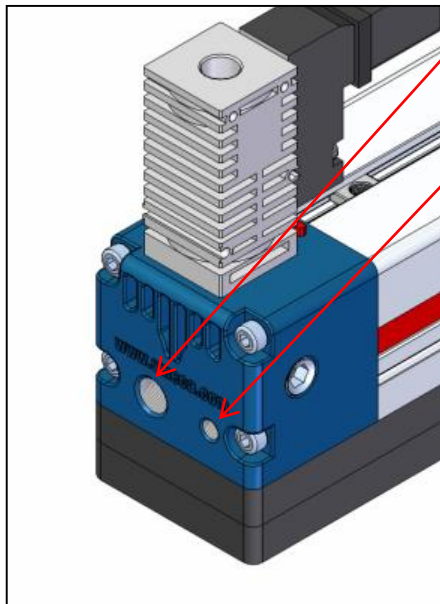


Mini V-Grip G50

- ▶ 2 air supply port (top and side)

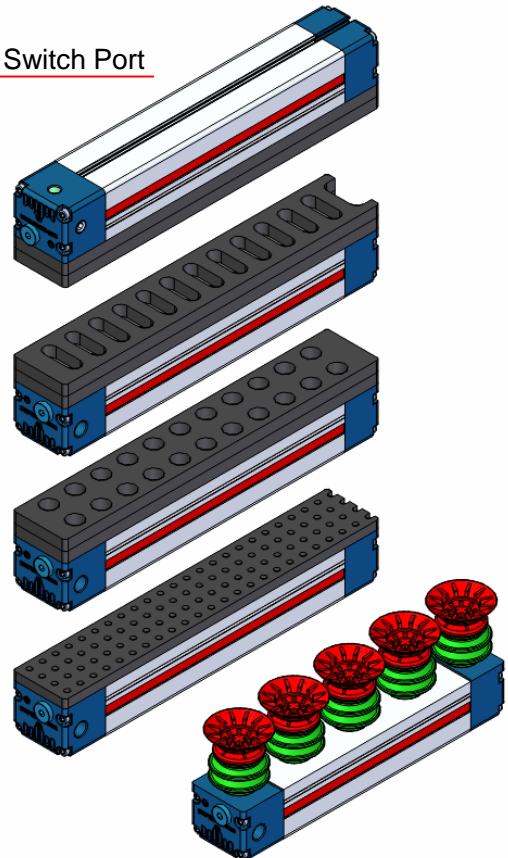


- ▶ Can have a Vacuum Release and Digital Sensor



Vacuum Release Port

Vacuum Switch Port



Sponge Type

- ▶ Various hole pattern
- ▶ Strong vacuum gripping force



G40-EL



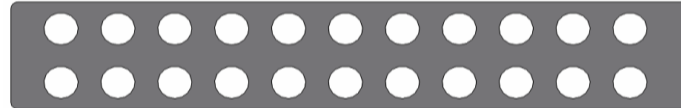
G50-EL



G40-ES



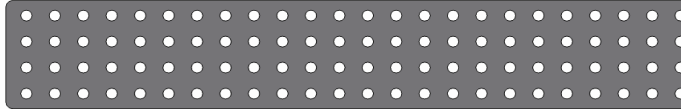
G50-ES



G40-ES-P1

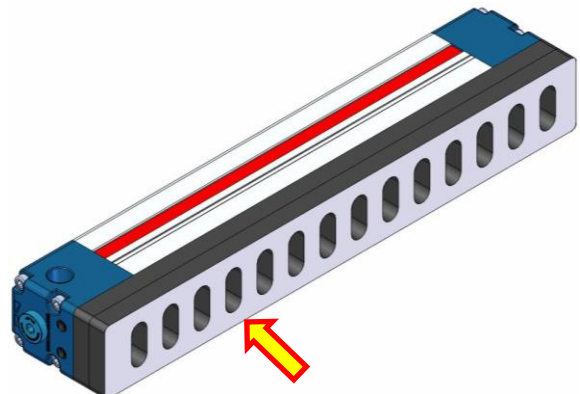
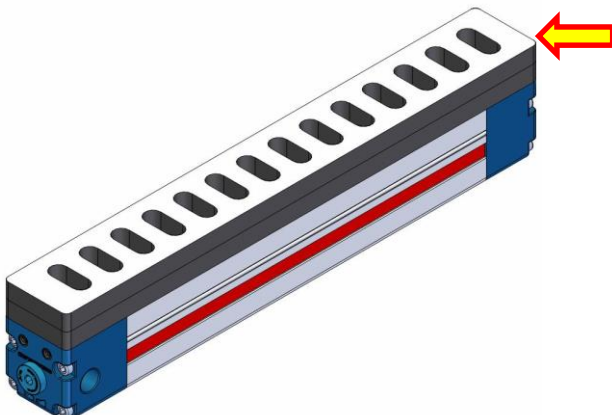


G50-ES-P1



Mark Free (Solution) Type

- ▶ For Mark Free required application
- ▶ Special fiber solution for Mark Free
- ▶ Mark free is available for any size grippers



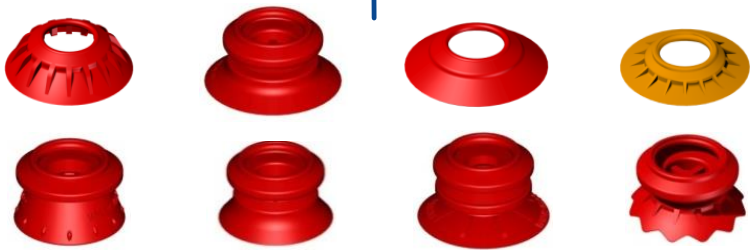
Suction Cup Type



Length: 150 ~ 2,000mm

- EB1.5/20
- EB1.5/40
- EB2.5/20
- EB2.5/40
- EBL15-()-A
- EBL15-()-B
- EBL15-()-C

- EB1.5/20-MBL20-()
- EB1.5/40-MBL40-()

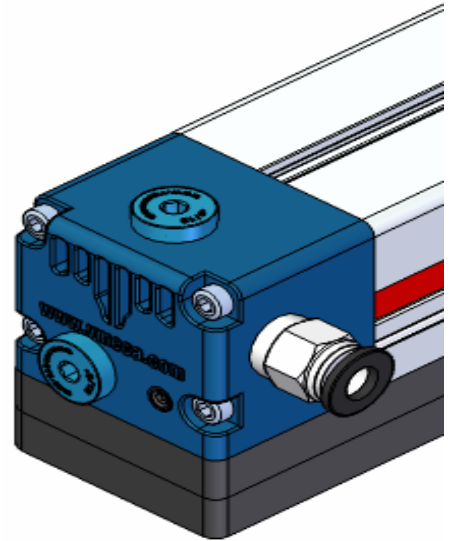
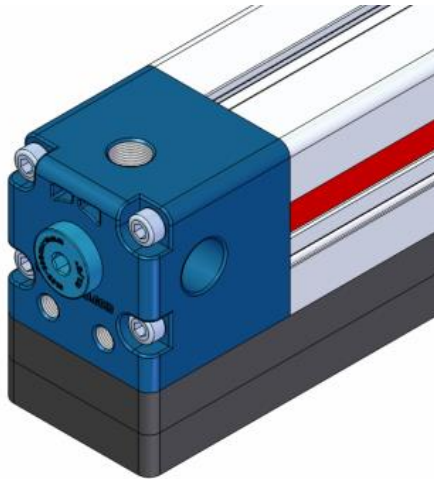


Magic Suction Lips

Product Compare - G40 & 50

	G40	G50
--	------------	------------

Model



Air-port	G1/8" female x 2 ports	
Release port	M6 female	G1/8" female
Cartridge(s)	1 cartridge (standard)	2 cartridges (standard)
	Max. 2 cartridges	Max. 4 cartridges
Dead-zone	No vacuum dead zone	

G40 - Characteristics

Model	Air inlet Pressure Mpa (psi)	Air consumption N/m (scfm)	Max. Vacuum Flows N/m (scfm)	Max. Vacuum level -kPa (-mmHg)
G40X150-L1...	0.6 (87)	104 (3.6)	362 (12.7)	75 (563)
G40X200-L1...	0.6 (87)	104 (3.6)	362 (12.7)	75 (563)
G40X300-L1...	0.6 (87)	104 (3.6)	362 (12.7)	75 (563)
G40X400-L1...	0.6 (87)	104 (3.6)	362 (12.7)	75 (563)
G40X500-L1...	0.6 (87)	104 (3.6)	362 (12.7)	75 (563)
G40X600-L1...	0.6 (87)	104 (3.6)	362 (12.7)	75 (563)

G40 - Holding Force Ratio according to Length of the Gripper

Model	Holding force at 40% Sealing (N)**	Holding force at 60% Sealing (N)**	Holding force at 80% Sealing (N)**	Holding force at 100% Sealing (N)**
G40X150-L1-ES1...	17.7	31.4	76.5	158.9
G40X200-L1-ES1...	23.5	48.1	117.7	214.8
G40X300-L1-ES1...	29.4	59.8	139.3	306.9
G40X400-L1-ES1...	52.0	100.0	226.5	411.9
G40X500-L1-ES1...	62.8	124.5	256.9	488.4
G40X600-L1-ES1...	74.5	151.0	305.0	587.4
<hr/>				
G40X150-L1-EL1...	32.4	74.5	106.9	189.3
G40X200-L1-EL1...	37.3	99.0	142.2	253.0
G40X300-L1-EL1...	55.9	148.1	212.8	378.5
G40X400-L1-EL1...	57.9	158.9	256.9	439.3
G40X500-L1-EL1...	60.8	165.7	313.8	550.2
G40X600-L1-EL1...	69.6	180.4	355.0	654.1
<hr/>				
G40X150-L1-ES1-P1...	31.4	78.2	120.6	216.7
G40X200-L1-ES1-P1...	40.2	104.6	160.8	295.2
G40X300-L1-ES1-P1...	64.7	156.9	241.2	433.5
G40X400-L1-ES1-P1...	77.5	200.1	321.7	577.9
G40X500-L1-ES1-P1...	83.4	216.7	382.5	639.1
G40X600-L1-ES1-P1...	99.0	242.2	459.0	766.9

** The holding force above is actual test result, not considered with a safety factor.

G50 - Characteristics

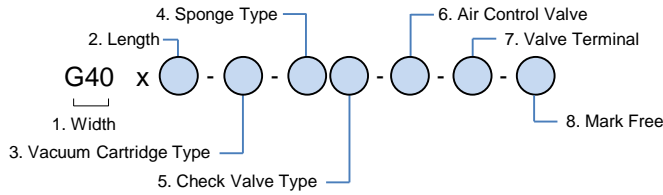
Model	Air inlet Pressure Mpa (psi)	Air consumption N/m (scfm)	Max. Vacuum Flows N/m (scfm)	Max. Vacuum level -kPa (-mmHg)
G50X150-L2...	0.6 (87)	208 (7.2)	724 (25.4)	75 (563)
G50X200-L2...	0.6 (87)	208 (7.2)	724 (25.4)	75 (563)
G50X300-L2...	0.6 (87)	208 (7.2)	724 (25.4)	75 (563)
G50X400-L2...	0.6 (87)	208 (7.2)	724 (25.4)	75 (563)
G50X500-L2...	0.6 (87)	208 (7.2)	724 (25.4)	75 (563)
G50X600-L2...	0.6 (87)	208 (7.2)	724 (25.4)	75 (563)

G50 - Holding Force Ratio according to Length of the Gripper

Model	Holding force at 40% Sealing (N)**	Holding force at 60% Sealing (N)**	Holding force at 80% Sealing (N)**	Holding force at 100% Sealing (N)**
G50X150-L2-ES1...	40.2	86.3	208.9	260.9
G50X200-L2-ES1...	54.9	114.7	278.5	339.3
G50X300-L2-ES1...	80.4	171.6	417.8	521.7
G50X400-L2-ES1...	104.0	223.6	487.4	655.1
G50X500-L2-ES1...	132.4	290.3	510.9	815.6
G50X600-L2-ES1...	155.9	335.4	605.1	978.7
G50X150-L2-EL1...	35.3	70.6	187.3	236.3
G50X200-L2-EL1...	41.2	91.2	243.2	329.5
G50X300-L2-EL1...	61.8	134.4	364.8	472.7
G50X400-L2-EL1...	78.5	174.6	399.1	512.9
G50X500-L2-EL1...	96.1	221.6	428.5	587.4
G50X600-L2-EL1...	113.8	263.8	498.2	704.1
G50X150-L2-ES1-P1...	49.0	120.6	213.8	350.1
G50X200-L2-ES1-P1...	66.7	154.9	279.5	466.8
G50X300-L2-ES1-P1...	98.1	224.6	418.7	700.2
G50X400-L2-ES1-P1...	123.6	284.4	531.5	845.3
G50X500-L2-ES1-P1...	154.9	357.0	658.0	1041.5
G50X600-L2-ES1-P1...	184.4	426.6	783.6	1252.3

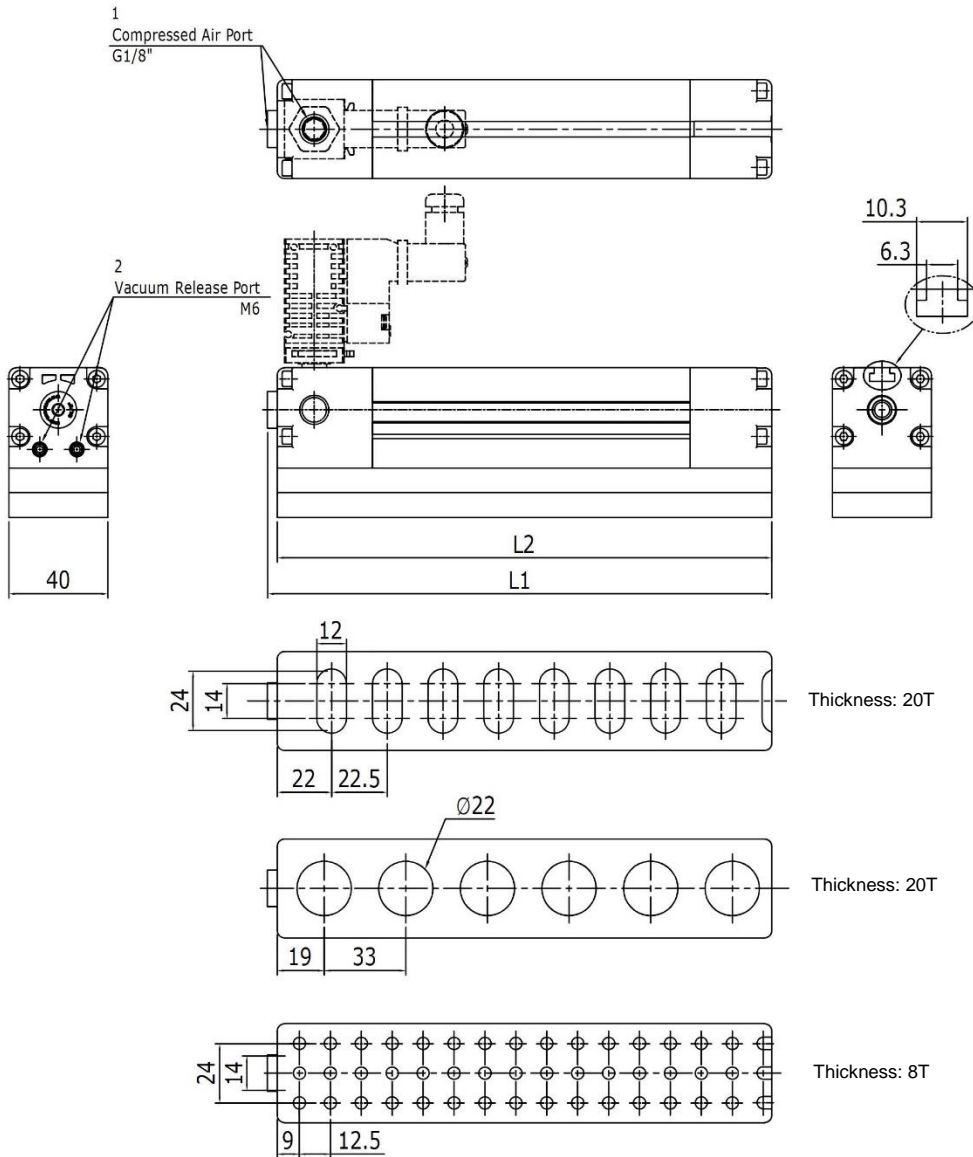
** The holding force above is actual test result, not considered with a safety factor.

Build an Ordering No.



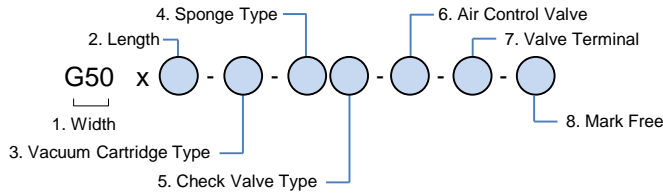
1. Width	Description	Ordering No.	ETC
	G series, Width 40mm	G40	
2. Length	Description	Ordering No.	ETC
	Length 150mm	150	
	Length 200mm	200	
	Length 300mm	300	
	Length 400mm	400	
	Length 500mm	500	
	Length 600mm	600	
3. Vacuum Cartridge Type	Description	Ordering No.	ETC
	VC302	C1	Only 150~200mm
	VC303	C1	Only 250~600mm
	VCL302	LC1	Only 150~200mm
	VCL303	L1	Only 250~600mm
4. Sponge Type	Description	Ordering No.	ETC
	Oval Shape suction hole	EL	
	Round shape suction hole	ES	
	Round shape suction Ø5 hole	ES()-P1	
5. Check Valve Type	Description	Ordering No.	ETC
	For leakage rate 1~10% application	1	
	For non-leakage application	2	
	For non-leakage application	3	
	For non-leakage application	4	
6. Air Control Valve	Description	Ordering No.	ETC
	No air control valve	Blank	
	Air control valve, AC110V	A1	
	Air control valve, AC220V	A2	
	Air control valve, DC24V	A3	
	Double Solenoid valve, AC110V	D1	
	Double Solenoid valve, AC220V	D2	
	Double Solenoid valve, DC24V	D3	
7. Valve Terminal	Description	Ordering No.	ETC
	Solenoid Terminal, DIN, No LW	DN	
	Solenoid Terminal, DIN, Lamp, No LW	DL	
	Solenoid Terminal, Conn, Lamp & 0.3m LW	CL	Only available with DC24V
8. Mark Free	Description	Ordering No.	ETC
	Standard (No mark free)	Blank	
	Mark free	A	

Dimension



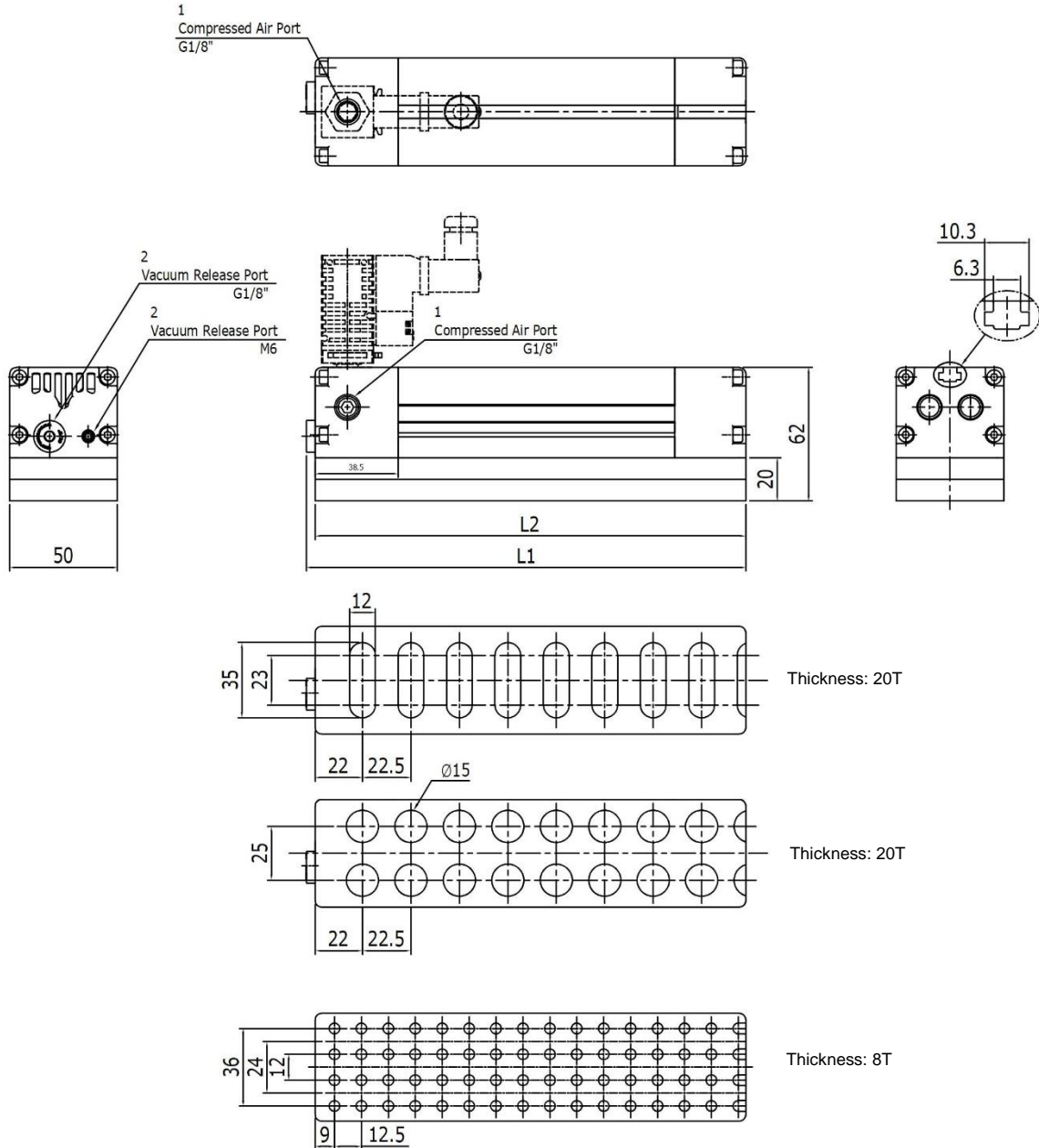
Model	Length		The Number of Vacuum Port			Compressed Air Valve Type
	L1	Sponge Pad Length L2	ES	EL	ES-P1	
G40X150-..	159	155	4	6	36	MS18
G40X200-..	209	205	6	8	48	
G40X300-..	309	305	9	13	72	
G40X400-..	409	405	12	17	96	
G40X500-..	509	505	15	21	120	
G40X600-..	604	600	19	26	141	

Build an Ordering No.



1. Width	Description	Ordering No.	ETC
	G series, Width 50mm	G50	
2. Length	Description	Ordering No.	ETC
	Length 150mm	150	
	Length 200mm	200	
	Length 300mm	300	
	Length 400mm	400	
	Length 500mm	500	
	Length 600mm	600	
3. Vacuum Cartridge Type	Description	Ordering No.	ETC
	VC302, 1 or 2 Cartridges	C1 or C2	Only 150~200mm
	VC303, 1 or 2 Cartridges	C1 or C2	Only 250~600mm
	VCL302, 1 or 2 Cartridges	LC1 or LC2	Only 150~200mm
	VCL303, 1 or 2 Cartridges	L1 or L2	Only 250~600mm
4. Sponge Type	Description	Ordering No.	ETC
	Oval Shape suction hole	EL	
	Round shape suction hole	ES	
	Round shape suction Ø5 hole	ES()-P1	
5. Check Valve Type	Description	Ordering No.	ETC
	For leakage rate 1~10% application	1	
	For non-leakage application	2	
	For non-leakage application	3	
	For non-leakage application	4	
6. Air Control Valve	Description	Ordering No.	ETC
	No air control valve	Blank	
	Air control valve, AC110V	A1	
	Air control valve, AC220V	A2	
	Air control valve, DC24V	A3	
	Double Solenoid valve, AC110V	D1	
	Double Solenoid valve, AC220V	D2	
	Double Solenoid valve, DC24V	D3	
7. Valve Terminal	Description	Ordering No.	ETC
	Solenoid Terminal, DIN, No LW	DN	
	Solenoid Terminal, DIN, Lamp, No LW	DL	
	Solenoid Terminal, Conn, Lamp & 0.3m LW	CL	Only available with DC24V
8. Mark Free	Description	Ordering No.	ETC
	Standard (No mark free)	Blank	
	Mark free	A	

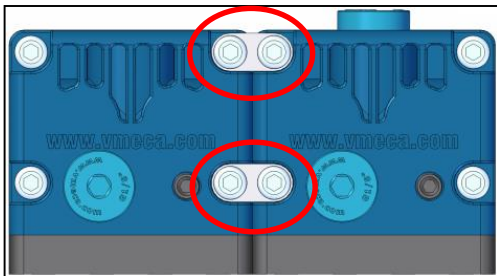
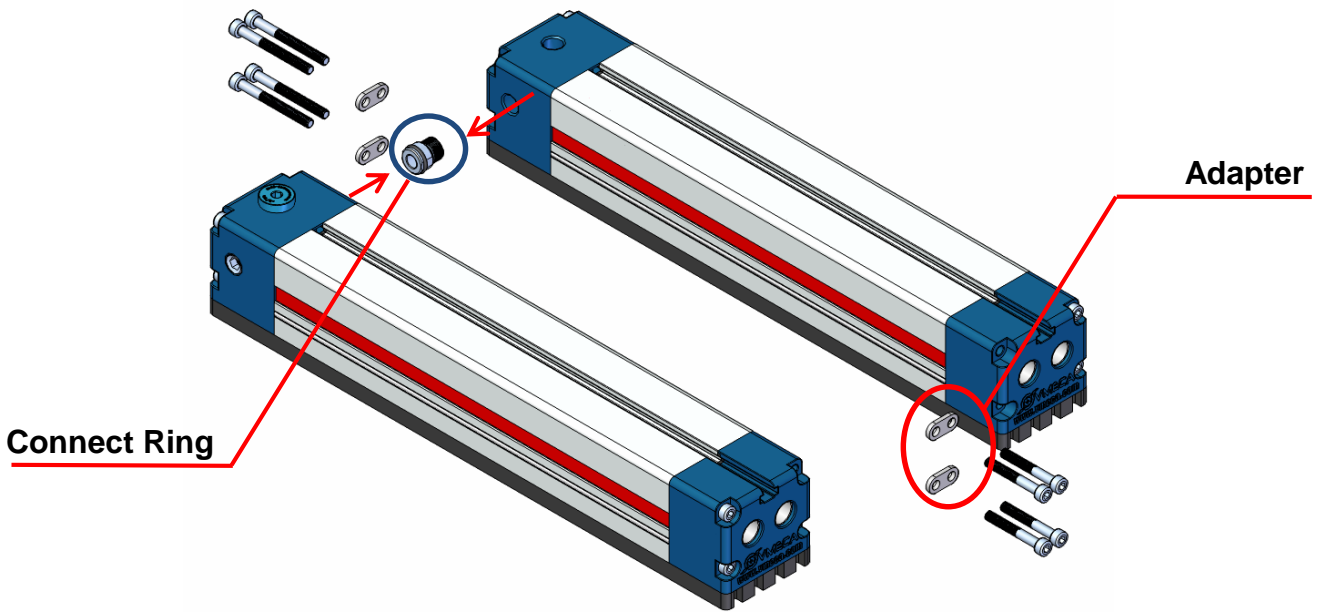
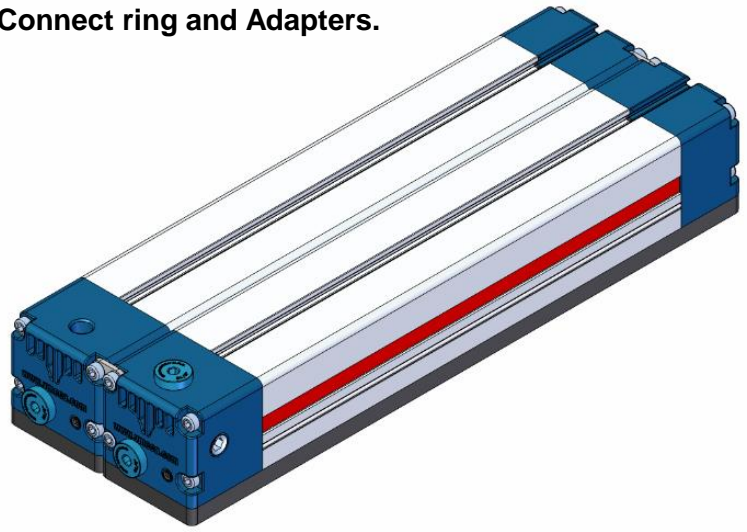
Dimension



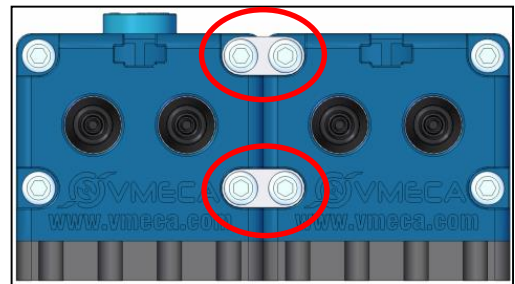
Model	Length		Sponge Pad Length		The Number of Vacuum Port			Compressed Air Valve Type
	L1	L2	ES	EL	ES-P1			
G50X150-..	159	155	12	6	48	MS18		
G50X200-..	209	205	16	8	64			
G50X300-..	309	305	26	13	96			
G50X400-..	409	405	34	17	128			
G50X500-..	509	505	42	21	160			
G50X600-..	609	605	52	26	188			

Dual System

- ▶ Modular Stack Unit Available with Connect ring and Adapters.
- ▶ Individual Vacuum System

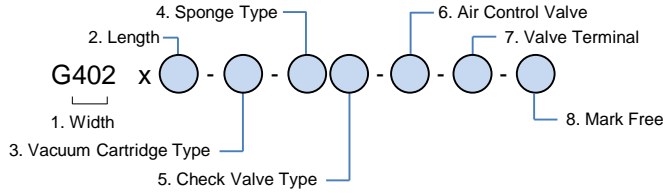


End cap Front



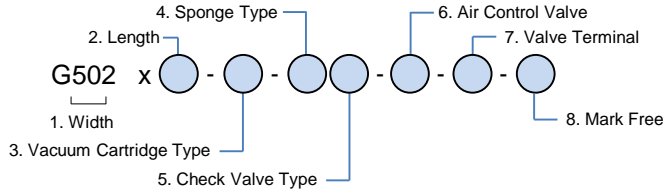
End cap Rear

Build an Ordering No.



1. Width	Description	Ordering No.	ETC
	G series, Width 40mm X2 – Dual Type (=80mm)	G402	
2. Length	Description	Ordering No.	ETC
	Length 150mm	150	
	Length 200mm	200	
	Length 300mm	300	
	Length 400mm	400	
	Length 500mm	500	
	Length 600mm	600	
3. Vacuum Cartridge Type	Description	Ordering No.	ETC
	VC302, 1 or 2 Cartridges	C1 or C2	Only 150~200mm
	VC303, 1 or 2 Cartridges	C1 or C2	Only 250~600mm
	VCL302, 1 or 2 Cartridges	LC1 or LC2	Only 150~200mm
	VCL303, 1 or 2 Cartridges	L1 or L2	Only 250~600mm
4. Sponge Type	Description	Ordering No.	ETC
	Oval Shape suction hole	EL	
	Round shape suction hole	ES	
	Round shape suction Ø5 hole	ES()-P1	
5. Check Valve Type	Description	Ordering No.	ETC
	For leakage rate 1~10% application	1	
	For non-leakage application	2	
	For non-leakage application	3	
	For non-leakage application	4	
6. Air Control Valve	Description	Ordering No.	ETC
	No air control valve	Blank	
	Air control valve, AC110V	A1	
	Air control valve, AC220V	A2	
	Air control valve, DC24V	A3	
	Double Solenoid valve, AC110V	D1	
	Double Solenoid valve, AC220V	D2	
	Double Solenoid valve, DC24V	D3	
7. Valve Terminal	Description	Ordering No.	ETC
	Solenoid Terminal, DIN, No LW	DN	
	Solenoid Terminal, DIN, Lamp, No LW	DL	
	Solenoid Terminal, Conn, Lamp & 0.3m LW	CL	Only available with DC24V
8. Mark Free	Description	Ordering No.	ETC
	Standard (No mark free)	Blank	
	Mark free	A	

Build an Ordering No.



1. Width	Description	Ordering No.	ETC
	G series, Width 50mm X2 – Dual Type (=100mm)	G502	
2. Length	Description	Ordering No.	ETC
	Length 150mm	150	
	Length 200mm	200	
	Length 300mm	300	
	Length 400mm	400	
	Length 500mm	500	
	Length 600mm	600	
3. Vacuum Cartridge Type	Description	Ordering No.	ETC
	VC302 / 2, 3 or 4 Cartridges	C2, C3 or C4	Only 150~200mm
	VC303 / 2, 3 or 4 Cartridges	C2, C3 or C4	Only 250~600mm
	VCL302 / 2, 3 or 4 Cartridges	LC2, LC3 or LC4	Only 150~200mm
	VCL303 / 2, 3 or 4 Cartridges	L2, L3 or L4	Only 250~600mm
4. Sponge Type	Description	Ordering No.	ETC
	Oval Shape suction hole	EL	
	Round shape suction hole	ES	
	Round shape suction Ø5 hole	ES()-P1	
5. Check Valve Type	Description	Ordering No.	ETC
	For leakage rate 1~10% application	1	
	For non-leakage application	2	
	For non-leakage application	3	
	For non-leakage application	4	
6. Air Control Valve	Description	Ordering No.	ETC
	No air control valve	Blank	
	Air control valve, AC110V	A1	
	Air control valve, AC220V	A2	
	Air control valve, DC24V	A3	
	Double Solenoid valve, AC110V	D1	
	Double Solenoid valve, AC220V	D2	
	Double Solenoid valve, DC24V	D3	
7. Valve Terminal	Description	Ordering No.	ETC
	Solenoid Terminal, DIN, No LW	DN	
	Solenoid Terminal, DIN, Lamp, No LW	DL	
	Solenoid Terminal, Conn, Lamp & 0.3m LW	CL	Only available with DC24V
8. Mark Free	Description	Ordering No.	ETC
	Standard (No mark free)	Blank	
	Mark free	A	