

LEVEL COMPENSATORS

L14 series

Features and Strengths

Reliable and precise pick up position for differences in height on the surface of material
Configurations with varying sizes of spring and stroke



Specifications

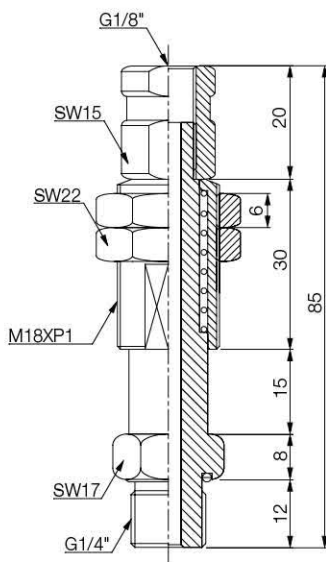
Model	Stroke (mm)	Weight (g)	Material
L1415T	15	66.33	Al, SS, BS
L1420T	20	45.05	Al, SS, BS
L1430LTS	30	100.75	Al, SS, BS

Build an Ordering No.

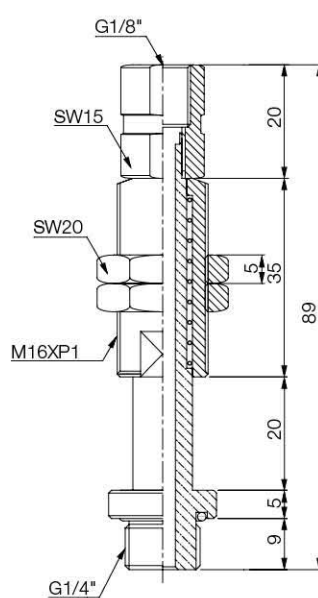
1. Level compensator	Description	Symbol
	Level compensator, 15mm stroke, Connection – Fitting G1/4" male	L1415T
	Level compensator, 20mm stroke, Connection – Fitting G1/4" male	L1420T
	Level compensator, 30mm stroke, Connection – Fitting G1/4" male	L1430LTS

Dimension

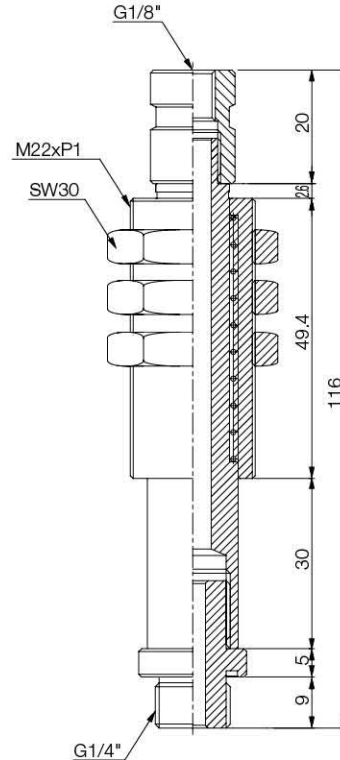
[Unit : mm]



[L1415T]



[L1420T]



[L1430LTS]