

Quick Connecting Tube Fittings

PXT-G SERIES



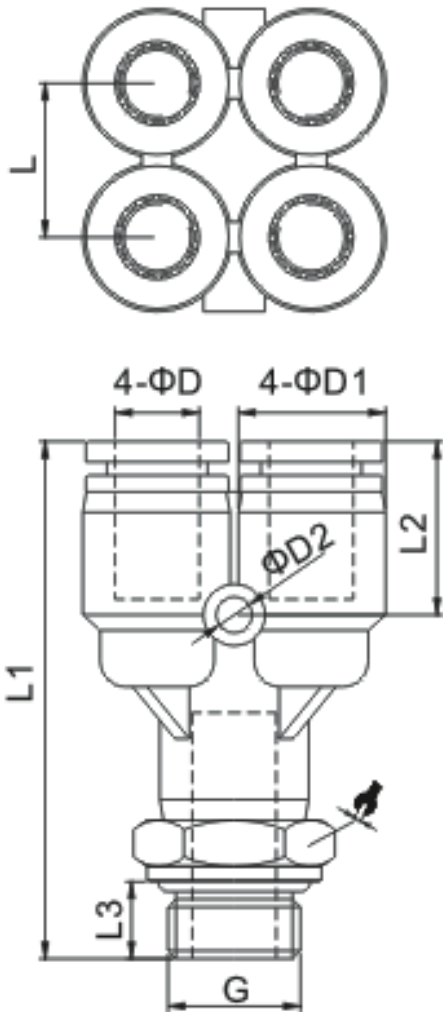
Product features

- One-Touch tube fittings are used in pneumatics piping.
- The tube fittings come in wide variety of models to meet all your needs in pneumatics piping.
- Even after installation, in direction of the tube can be changed freely.
- Nickel-plated metal body ensures Anti-Corrosion and Anti-Contamination.
- All R and NPT threads are Pre-Costed sealant.
- All cylindrical threads are standard with O-Ring seals.

Speciality

Fluid	Air, Vacuum
Operating Pressure	0-1.0MPa (150 psi)
Negative Pressure	-100KPa(-29.5 in-Hg)
Max Pressure	1.5MPa
Operating Temperature	0-60°C(32-140°F)
Applicable Tube	Polyurethane and Nylon

Dimensions



MODEL	φD	G	L3	φD1	φD2	L	L1	L2	
PXT04-G01	4	G1/8	5.5	11.3	3.2	11	43	15	14
PXT04-G02	4	G1/4	7.5	11.3	3.2	11	45.5	15	17
PXT06-G01	6	G1/8	5.5	13.3	3.2	13	46.5	15.5	14
PXT06-G02	6	G1/4	7.5	13.3	3.2	13	49	15.5	17
PXT06-G03	6	G3/8	7.5	13.3	3.2	13	49.5	15.5	20
PXT06-G04	6	G1/2	10	13.3	3.2	13	52	15.5	24
PXT08-G01	8	G1/8	5.5	14.8	3.2	15	47.5	16.5	14
PXT08-G02	8	G1/4	7.5	14.8	3.2	15	50	16.5	17
PXT08-G03	8	G3/8	7.5	14.8	3.2	15	50.5	16.5	20
PXT08-G04	8	G1/2	5.5	14.8	3.2	15	53	16.5	24