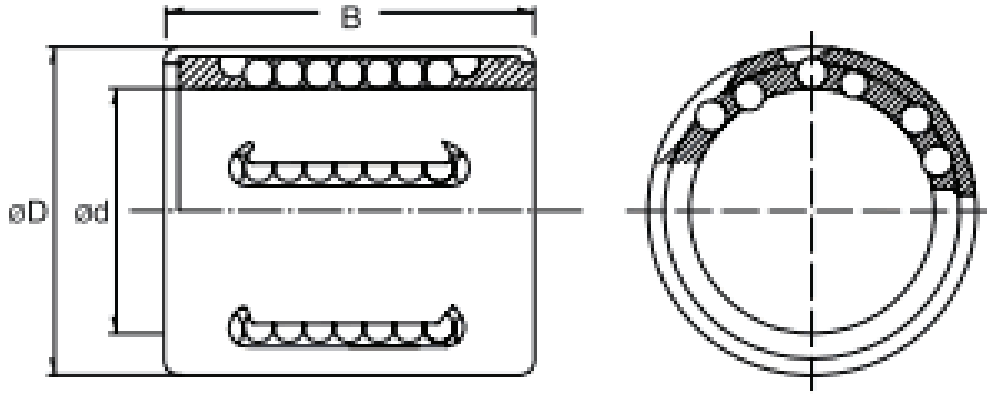


**KH Serisi Lineer Bilyalı Burçlar / KH Series**



**Teknik Çizim / Technical Drawing**



| Type       | Dimensions (mm) |    |      | Load capacity |       | Mass (g) approx. |
|------------|-----------------|----|------|---------------|-------|------------------|
|            | Ød              | ØD | B    | Dyn           | Stat. |                  |
| KH-0622 PP | 6.0             | 12 | 22.0 | 400           | 239   | 7 g              |
| KH-0824 PP | 8.0             | 15 | 24.0 | 435           | 280   | 12 g             |
| KH-1026 99 | 10.0            | 17 | 26.0 | 500           | 370   | 14.5 g           |
| KH-1228 PP | 12.0            | 19 | 28.0 | 620           | 510   | 18.5 g           |
| KH-1428 PP | 14.0            | 21 | 28.0 | 620           | 520   | 20.5 g           |
| KH-1630 PP | 16.0            | 24 | 30.0 | 800           | 620   | 27.5 g           |
| KH-2030 PP | 20.0            | 28 | 30.0 | 950           | 790   | 32.5 g           |
| KH-2540 PP | 25.0            | 35 | 40.0 | 1990          | 1670  | 66 g             |
| KH-3050 PP | 30.0            | 40 | 50.0 | 2800          | 2700  | 95 g             |
| KH-4060 PP | 40.0            | 52 | 60.0 | 4400          | 4450  | 182 g            |
| KH-5070 PP | 50.0            | 62 | 70.0 | 5500          | 6300  | 252 g            |