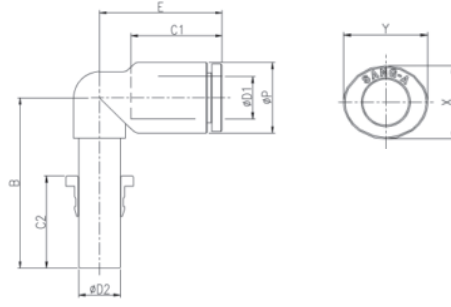


SANG-A GPLJ Serisi Boru Girişli Dirsek Bağlantılar

Pug-in Elbow



Boyutlar

MODEL [ØD-T] Tube: (Metric) - Thread: (R)

MODEL	ØD1	ØD2	ØP	B	C1	C2	E	X	Y	Orifice (Ømm)	W.G(g)	Q'ty/ inbox
GPLJ 03	3	3	9	23.5	14.5	14.5	17.1	8.6	10.8	1.5	1.8	100
GPLJ 04	4	4	9	23.5	14.5	14.5	17.1	8.6	10.8	2.5	1.8	100
GPLJ 06	6	6	11.2	29.6	15.5	15.5	18	8.6	13	4	3.0	50
GPLJ 08	8	8	13.6	32.8	17.8	17.8	23.6	13	15	6	4.9	50
GPLJ 10	10	10	16.3	36.2	19.4	19.4	25	16	18.5	8	7.3	25
GPLJ 12	12	12	19.7	39.9	22.4	22.4	32.2	19.5	22.5	9	13.5	25
GPLJ 14	14	14	23.5	42.8	24.4	24.4	31.9	23	25	11	21.4	20
GPLJ 16	16	16	25.6	44.8	25	25	34	24	27	13	21.8	15