

**GA-Serisi Hazırlık Ünitesi / GA-Series Preparation Unit**

**GAFR Serisi Filtre ve Regülatör / GAFR Series Filter & Regulator**



**Sembol / Symbol**

No reflux valve is attached



Reflux valve is attached



**Üretim Özelliği / Production feature**

1. Circular square pressure gauge which with clip and magnifier is used to save installation space.
2. The pressed-in self-locking mechanism can prevent the abnormal movement of the set pressure caused by external interfere.
3. Balanced design is adopted for the pressure adjustment mechanism.
4. Unique diversion structure spins the air flowing through to effectively separate the liquid from the air and reliably filter the solid grain.
5. The filtering grade includes 5 μ m and 40 μ m (optional).
6. Two drain types are available: semi-auto drain and automatic drain.
7. Three material of bowl are available: PC, Nylon and metal.
8. The bracket can be selected for installation.

**Özellikler / Specification**

Model	GAFR200-06	GAFR200-08	GAFR300-08	GAFR300-10	GAFR300-15	GAFR400-10	GAFR400-15	GAFR600-20	GAFR600-25
Fluid	Air								
Port size [Note1]	1/8"	1/4"	1/4"	3/8"	1/2	3/8"	1/2"	3/4"	1"
Filtering grade	40μ m or 5 μ m								
Pressure range	0.15~0.9MPa(20~130psi)								
Max. pressure	1.0MPa(145psi)								
Proof pressure	1.5MPa(215psi)								
Temperature range	-5~70°C(Unfreeze)								
Capacity of drain bowl	25CC		60CC			100CC		205CC	
Weight	290g		500g			880g		1880g	

**Sipariş Kodu / Ordering Code**

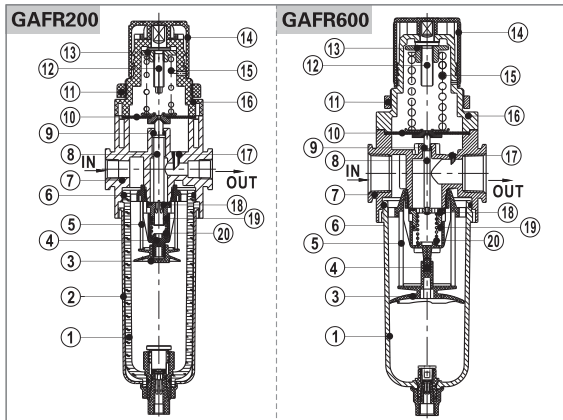
**GAFR300**  **10**  **S**  **W**  **G**  **K**

**1** **2** **3** **4** **5** **6** **7** **8** **9** **10**

① Model	② Bowl material	③ Port size	④ Drain type	⑤ Type code	⑥ Accessories	⑦ Pressure gauge	⑧ Filtering grade	⑨ Thread type	⑩ Code of reflux valve
GAFR200:GA200 Series Filter & regulator	Blank: PC bowl	06: 1/8" 08: 1/4"	Blank: Semi-auto drain +Manual drain A: Automatic drain	Blank: Standard L: Lower pressure [Note1]	Blank: Bracket J: No bracket	Blank: Circular N: No gauge	Blank: 40 μ m W: 5 μ m	Blank: PT (MPa/psi) G: G (bar/MPa) T: NPT (psi/bar)	Blank: No reverse flow valve is attached K: Reverse flow valve is attached [Note2]
GAFR300:GA300 Series Filter & regulator	C: Metal bowl	08: 1/4" 10: 3/8" 15: 1/2"							
GAFR400:GA400 Series Filter & regulator	N: Nylon bowl	10: 3/8" 15: 1/2"							
GAFR600:GA600 Series Filter & regulator	C: Metal bowl	20: 3/4" 25: 1"							

[Note1] The maximum work pressure of lower pressure type is 0.4MPa(58psi); [Note2] Please refer to page 179 for details of reflux valve.

**İç Yapısı / Inner structure**

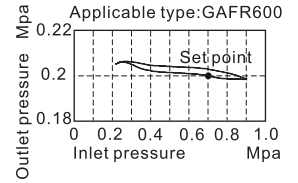
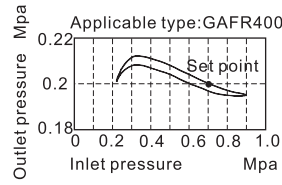
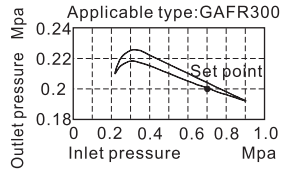
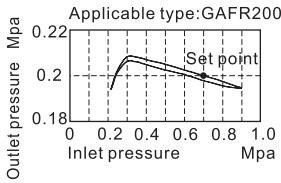


No.	Item	Material
1	Drain bowl	Aluminum alloy \ PC \ Nylon
2	Meter cover	SPCC
3	Umbrella baffle	High viscosity POM
4	Air guider	High viscosity POM
5	Filter core	HDPC
6	O-ring	NBR
7	Body of filter-regulator	Aluminum alloy
8	Adjusting spool	Brass(GAFR600)\POM(others)
9	O-ring	NBR
10	Diaphragm	NBR
11	Fixation ring cap	Aluminum alloy (GAFR600)\POM(others)
12	Adjusting spindle	Steel
13	Regulator nut	Steel
14	Pressure knob	POM
15	Spring	SWPB
16	Adjusting seat	Aluminum alloy (GAFR600)\POM(others)
17	Feedback tube	POM
18	Adjusting plug	Brass & Rubber
19	O-ring	NBR
20	Spring	SWPB

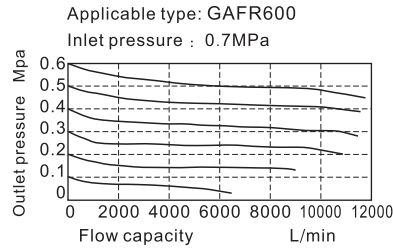
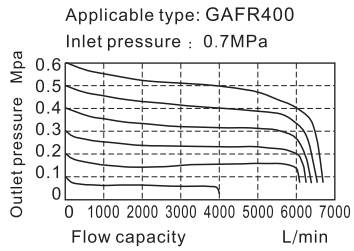
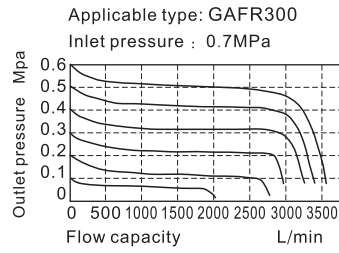
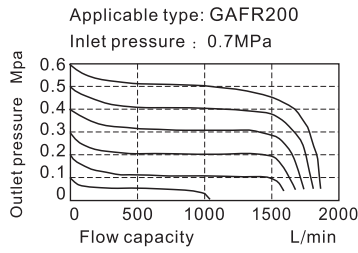
**GA-Serisi Hazırlık Ünitesi / GA-Series Preparation Unit**

**GAFR Serisi Filtre ve Regülatör / GAFR Series Filter & Regulator**

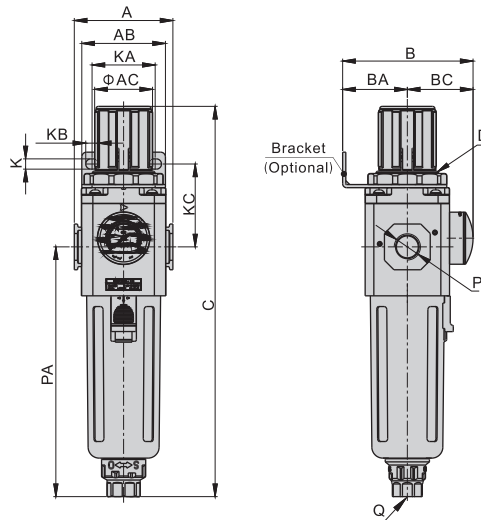
**Basınç Çizelgesi / Pressure Chart**



**Akış Şeması / Flow Chart**



**Boyutlar / Dimensions**



Model\Item	A	AB	AC	B	BA	BC	C	D	K	KA	KB	KC	P	PA	Q
GAFR200-06	52.5	55	31	69	30	39	192.5	M33x1.5	5.4	34	15.4	52	1/8"	120	M5X0.8
GAFR200-08	52.5	55	31	69	30	39	192.5	M33x1.5	5.4	34	15.4	52	1/4"	120	M5X0.8
GAFR300-08	62.5	53	38	82.5	41	41.5	247	M40x1.5	6.5	40	8	52.5	1/4"	158	G1/4
GAFR300-10	62.5	53	38	82.5	41	41.5	247	M40x1.5	6.5	40	8	52.5	3/8"	158	G1/4
GAFR300-15	62.5	53	38	82.5	41	41.5	247	M40x1.5	6.5	40	8	52.5	1/2"	158	G1/4
GAFR400-10	80	72	52	99	50	49	285.5	M55x2.0	8.5	55	11	57	3/8"	177.5	G1/4
GAFR400-15	80	72	52	99	50	49	285.5	M55x2.0	8.5	55	11	57	1/2"	177.5	G1/4
GAFR600-20	100	90	59	128	70	58	336.5	M62x1.5	11	66	13	76	3/4"	205	G1/4
GAFR600-20	100	90	59	128	70	58	336.5	M62x1.5	11	66	13	76	1"	205	G1/4