

WINMAN İtalyan Tip, Wafer ISO 5211, Paslanmaz Vana / Italy Type Thin Ball Valve

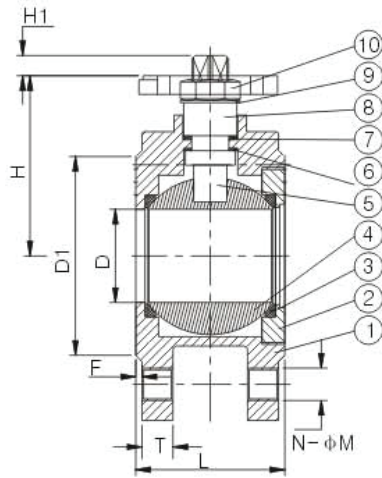


WB-33

Özellikler / Features

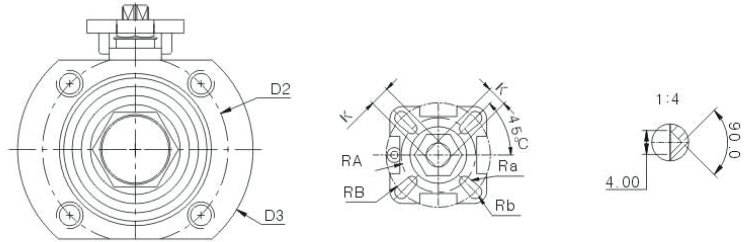
Pressure	PN16		
Structure Length	GB/T 12221-1989		
Flange end Dimensions	GB/T9113		
Design	GB/T 12237-1989		
Test	GB/T 13927-1992		
Material Standard	S45C/ASTM A216Gr WCB/DIN1.00619	SS316/ASTM A351Gr CF8M/DIN1.4408	SS304/ASTM A351Gr CF8/DIN1.4308

Teknik Çizim / Technical Drawing



Ana Parçalar ve Malzemeler / Main Parts and Materials

1	Body	WCB/CF8M/CF8M
2	Cap	WCB/CF8M/CF8M
3	Seat	PTFE
4	Ball	SS316/SS304/SS
5	Stem	SS3016/SS304/SS
6	Gasket	PTFE
7	Packing	PTFE
8	Gland Washer	SS304/SS
9	Spring Washer	SS304/SS
10	Stem Nut	SS304/SS



Teknik Özellikler / Main Outer Size

NPS	L	D	H	H1	D1	D2	D3	N-φM	T	F	RA	RB	Ra	Rb	K
1/2"	34	14	55	8	45	65	88	4-M12	9	2	18	21	3	3	9
3/4"	37	20	60	8	57	75	98	4-M12	11	2	18	21	3	3	9
1"	40	25	76	10	66	85	112	4-M12	11	2	21	25	3	3.5	11
1 1/4"	50	32	76	10	75	100	135	4-M16	14	2	21	25	3	3.5	11
1 1/2"	58	38	76	10	87	109	142	4-M16	14	2	25	35	3.5	4.5	14
2"	72	45	82	10	102	124	159	4-M16	15	2	25	35	3.5	4.5	14