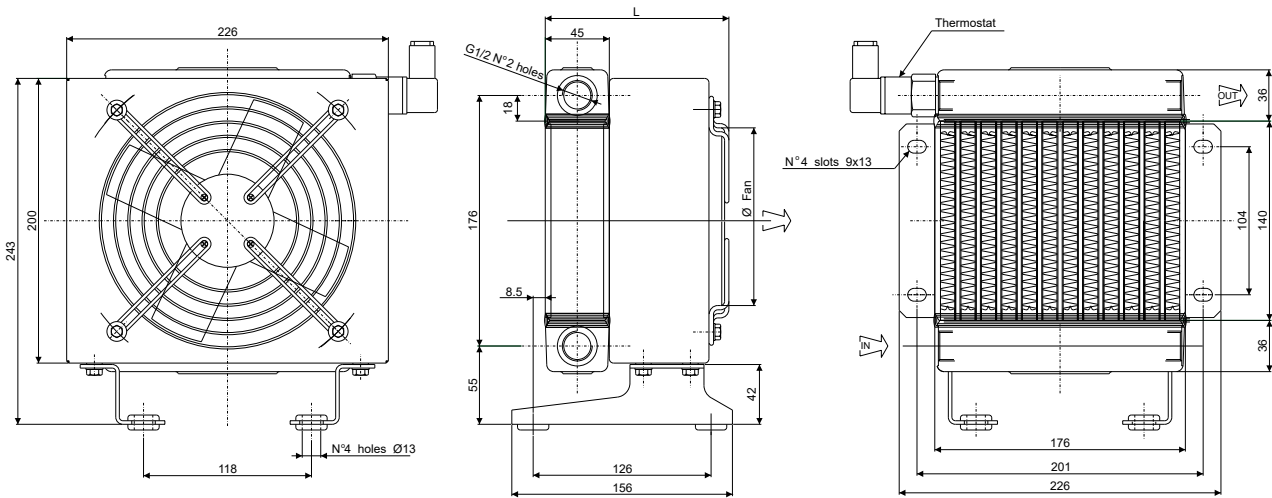


WINMAN WHE 2010 Serisi Havalı Soğutucular / WHE 2010 Series Air Coolers

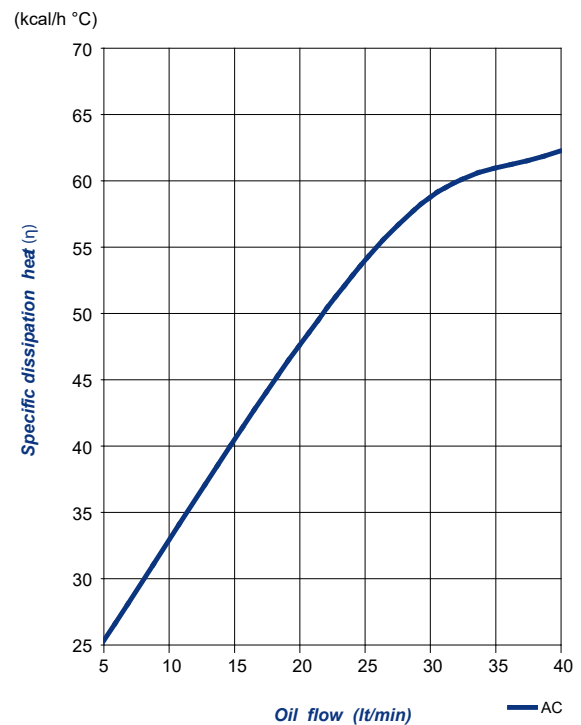
TECHNICAL FEATURES

Type	Frequency Hz	Voltage V	RPM	Power kW	Ø FAN (mm)	dB (A)	L (mm)	Q air (m ³ /h)	Cap. (lt)	Weight (kg)
01	50	220	2600	0.023/0.026	170	52	122	640	0.28	6

Suggested oil flow from 5 to 40 (lt/min)


Correction factor

CST	10	15	20	32	40	50	60	80	100	200
F	0.51	0.66	0.76	1	1.22	1.4	1.6	1.9	2.1	3.4

Performance diagram

Pressure drop diagram (32 cst)
