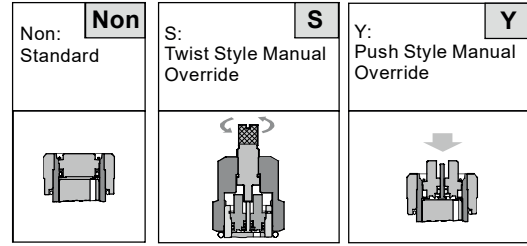
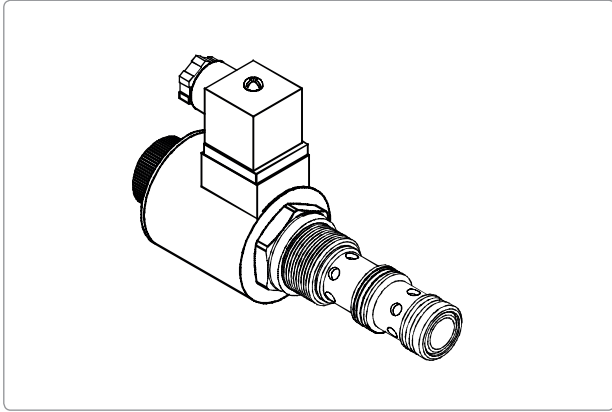
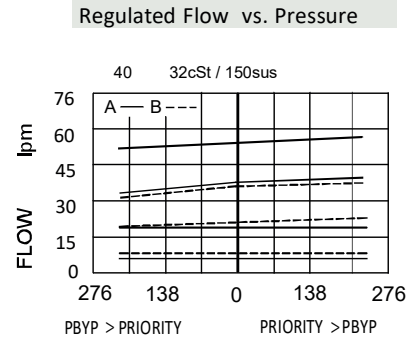
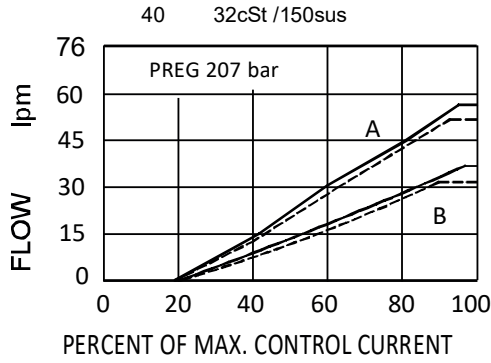


WINMAN WEVF Oransal Akış Kontrol Valfleri / WINMAN Proportional Flow Control Valves

Ayar Seçenekleri / Adjustment Option



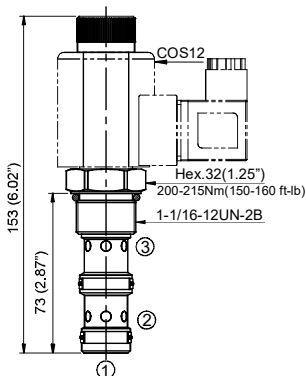
Performans/Performances



Özellikler / Specifications

| Model Number | Operating Pressure bar | Maximum Flow lpm | Maximum Current mA | Voltage VDC | Weight Kg |
|---------------------------------|---------------------------|---------------------|------------------------------|----------------|-----------------|
| WEVF-12 | 250 (3626 psi) | 114 (29.07 gpm) | 1600±200 800±100 | 12 24 | 0.76 (1.68 lbs) |
| Fluid Type | | | ISO VG 32 , 46 , 68 | | |
| Viscosity cSt | | | 10~400 (59~1854 SSU) | | |
| Operating Temperature C° | | | - 30~100 (-22~212 F°) | | |
| Contamination Level | | | ISO4406. 21/19/16 NAS1638,10 | | |

Boyutlar / Dimensions



WINMAN WEVF Oransal Akış Kontrol Valfleri / WINMAN Proportional Flow Control Valves

Nasıl Sipariş Verilir / How To Order

| | | | | | | |
|----------|----------|----------|----------|----------|----------|----------|
| 1 | 2 | 3 | 4 | 5 | 6 | 7 |
| WEVF | 12 | A | NC | D2 | * | * |

1 Valf Serisi/VALVESERIES
WEVF Oransal Akış Valfleri

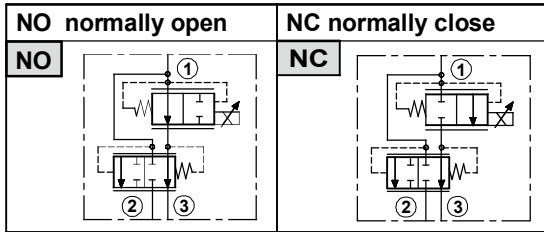
2 Alt Plaka Montaj Boyutu/SUBPLATEMOUNTINGSIZE

Boyut/Size:12
Boşluk/Cavity孔 □ : CS12-3N

Akış Aralığı / FLOWRANGE

| Model | Regulated Flow Rate lpm |
|-------|----------------------------|
| A | 57 lpm (15 gpm) |
| B | 38 lpm (10 gpm) |

3 Kontrol Portu / CONTROLPORT(S)



4 Bobin Tipi / TYPEOF COIL

Non : Without Coil
D1 : DC12V
D2 : DC24V

TYPEOF COIL

Model number COS12
Coils must be ordered separately