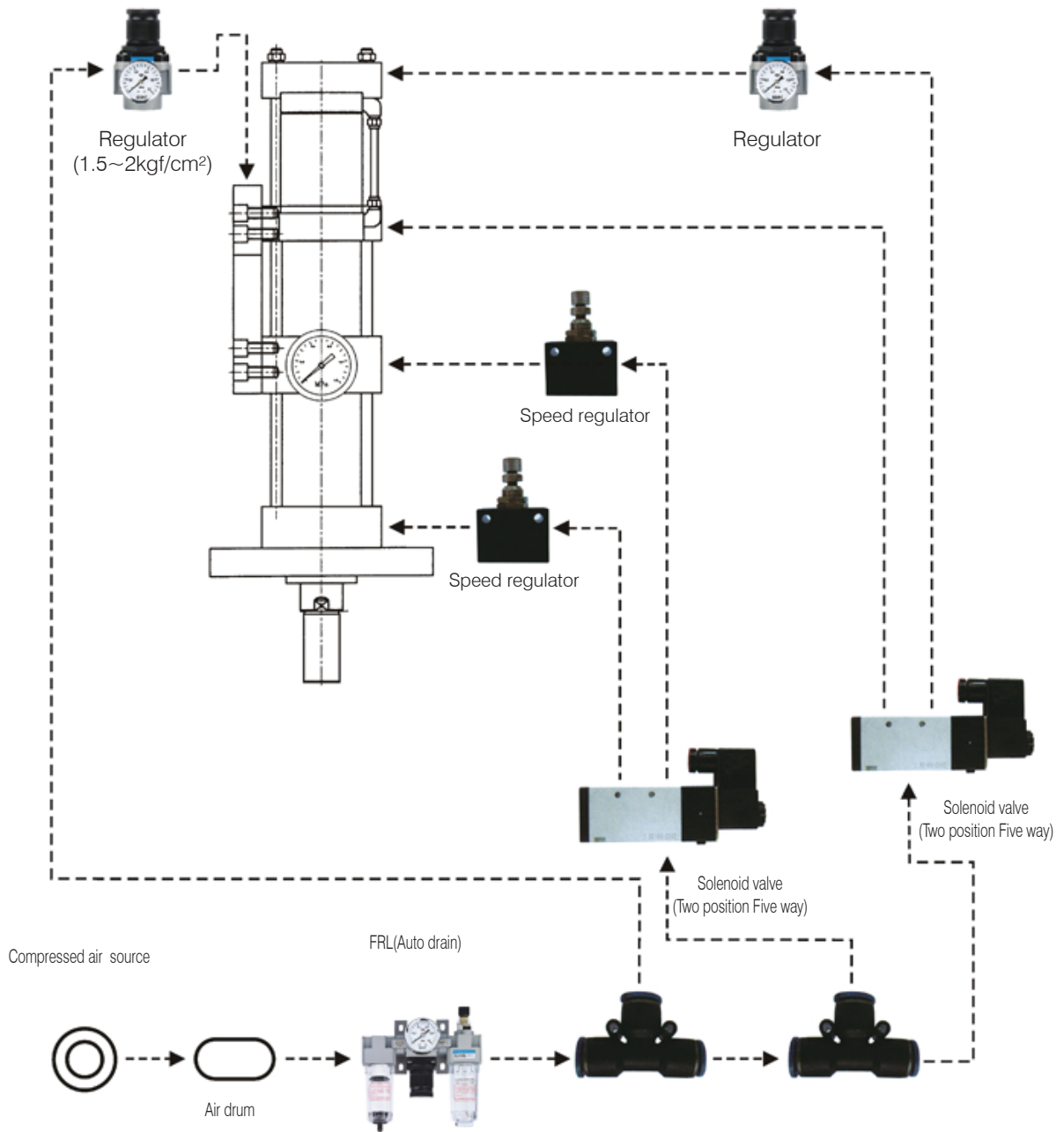


WINMAN BS Air-oil Power Cylinder

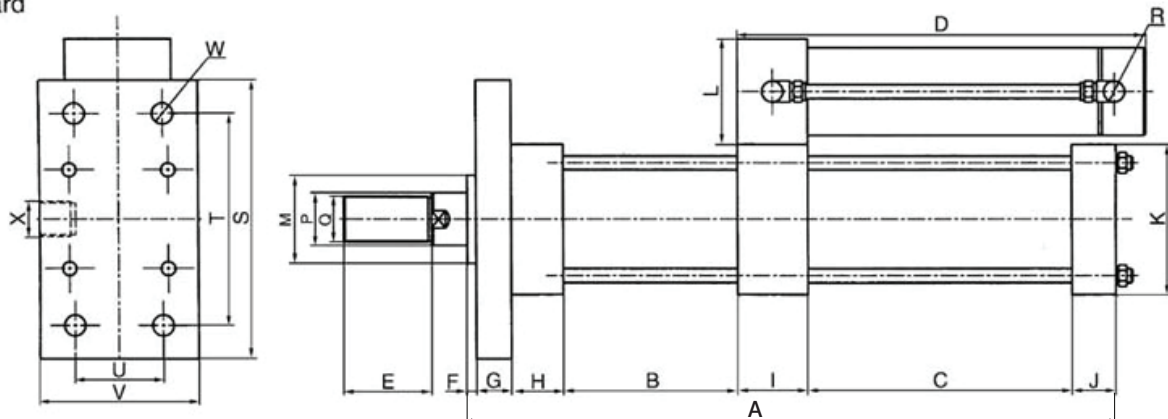
Product details



WINMAN BS Air-oil Power Cylinder

Dimensions (mm)

Standard



Inner diameter oil cylinder(T)	E	F	G	H	I	J	K	L	M	N	P	Q	R	S	T	V	U	W	X
50 (1T)	50	5	20	30	30	25	85×85	60×60	Φ50	75	Φ30	M26×1.5	G1/4"	156	120	90	50	Φ12	G1/4"
63 (3T)	50	5	20	35	40	25	100×100	69×69	Φ55	75	Φ35	M30×1.5	G3/8"	190	150	105	65	Φ14	G3/8"
80 (5T)	50	5	20	35	40	25	114×114	90×90	Φ55	90	Φ35	M30×1.5	G3/8"	220	170	120	70	Φ16	G3/8"
100(10T)	55	5	25	40	40	30	140×140	112×112	Φ65	90	Φ45	M40×2	G1/2"	250	200	145	80	Φ20	G1/2"
100(13T)	55	5	25	40	40	30	140×140	112×112	Φ65	90	Φ45	M40×2	G1/2"	250	200	145	80	Φ20	G1/2"
125(15T)	55	5	25	40	50	30	180×180	112×112	Φ80	90	Φ60	M50×2	G1/2"	320	250	190	120	Φ22	G1/2"
125(20T)	55	5	25	40	50	30	180×180	112×112	Φ80	90	Φ60	M50×2	G1/2"	320	250	190	120	Φ22	G1/2"
160(30T)	55	5	30	40	60	40	210×210	140×140	Φ100	90	Φ60	M63×2	G3/4"	355	290	218	140	Φ30	G3/4"
160(40T)	55	5	40	40	60	40	250×250	140×140	Φ100	90	Φ80	M63×2	G3/4"	390	320	240	160	Φ35	G3/4"

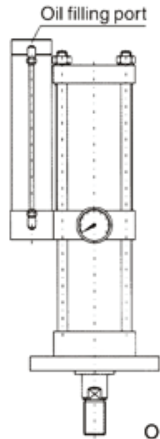
Tonnage	TTL stroke	Boost stroke	A	B	C	D	TTL stroke	Boost stroke	A	B	C	D	TTL stroke	Boost stroke	A	B	C	D	TTL stroke	Boost stroke	A	B	C	D					
1T	50	5	350	105	110	260	100	5	400	105	110	310	155	5	450	205	110	360	200	5	500	255	110	160	410				
		10	400					10	450					10	500					10	550								
		15	450					15	500					15	550					15	600					15	650	15	700
		20	500					20	550					20	600					20	650					20	700	20	750
3T	50	5	360	110	160	260	100	5	410	110	160	310	160	5	460	210	160	360	200	5	510	260	160	210	410				
		10	410					10	460					10	510					10	560								
		15	460					15	510					15	560					15	610					15	660	15	710
		20	510					20	560					20	610					20	660					20	710	20	760
5T	50	5	380	110	196	290	100	5	430	110	196	340	160	5	480	210	196	390	200	5	530	260	196	260	440				
		10	445					10	495					10	545					10	595								
		15	510					15	560					15	610					15	660					15	710	15	760
		20	575					20	625					20	675					20	725					20	775	20	825
10T	50	5	360	125	196	295	100	5	465	125	196	345	175	5	515	225	196	395	200	5	565	275	196	260	445				
		10	410					10	530					10	580					10	630								
		15	460					15	595					15	645					15	700					15	755	15	810
		20	510					20	660					20	710					20	760					20	810	20	860
13T	50	5	430	125	225	295	100	5	480	125	225	310	175	5	530	225	225	395	200	5	580	275	225	305	445				
		10	510					10	560					10	610					10	660								
		15	590					15	640					15	690					15	740					15	790	15	840
		20	670					20	720					20	770					20	820					20	870	20	920
15T	50	5	443	130	203	295	100	5	493	130	203	345	180	5	543	230	203	395	200	5	593	280	203	268	445				
		10	508					10	558					10	608					10	658								
		15	573					15	623					15	673					15	723					15	773	15	823
		20	638					20	688					20	738					20	788					20	838	20	888
20T	50	5	468	130	253	295	100	5	518	130	253	345	180	5	568	230	253	395	200	5	618	280	253	343	445				
		10	558					10	608					10	658					10	708								
		15	648					15	698					15	748					15	798					15	848	15	898
		20	738					20	788					20	838					20	888					20	938	20	988
30T	50	5	526	130	296	300	100	5	576	130	296	350	180	5	626	230	296	400	200	5	676	280	296	401	450				
		10	631					10	681					10	731					10	781								
		15	738					15	786					15	836					15	886					15	936	15	986
		20	841					20	889					20	939					20	989					20	1039	20	1089
40T	50	5	536	130	296	300	100	5	586	130	296	350	180	5	636	230	296	400	200	5	686	280	296	401	450				
		10	641					10	691					10	741					10	791								
		15	746					15	796					15	846					15	896					15	946	15	996
		20	851					20	901					20	951					20	1001					20	1051	20	1101

WINMAN BS Air-oil Power Cylinder

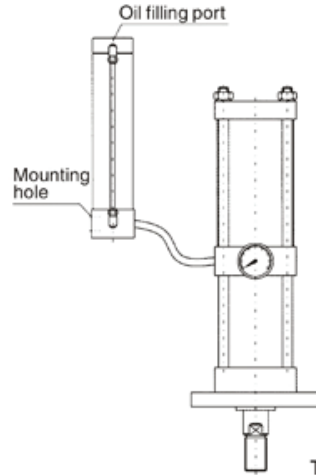
Mounting

■ Mounting as multi-angle, the oil port must ensure upwards when installing.

Vertical overhead mounting(Recommend mounting)

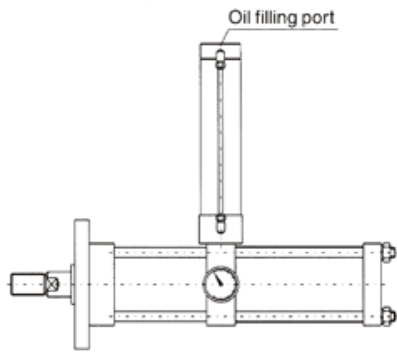


One-piece mounting

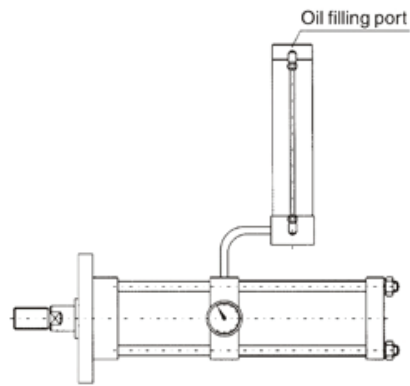


Two-piece mounting

Horizontal mounting

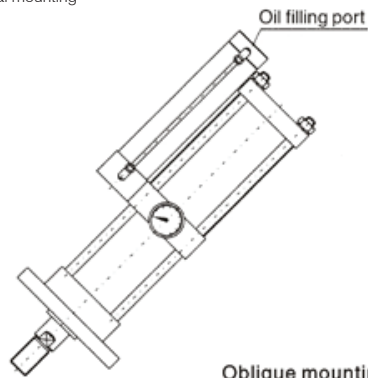


One-piece mounting

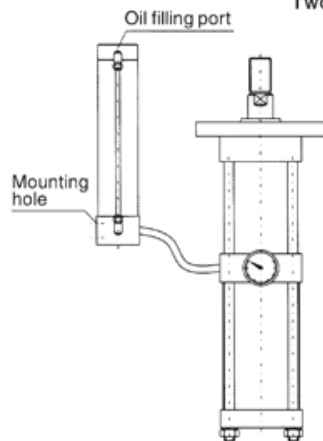


Two-piece mounting

Special mounting

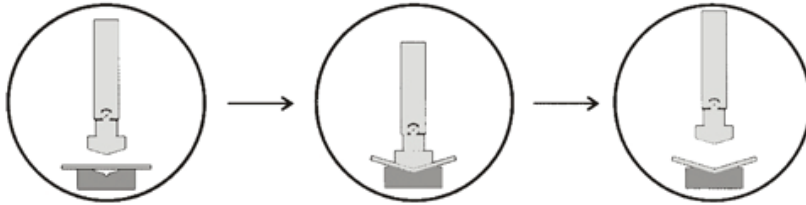


Oblique mounting

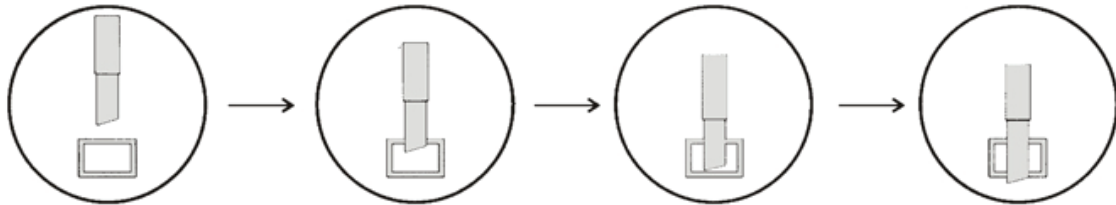


Inverted mounting

Bend forming



Transfer die



Pressfit

