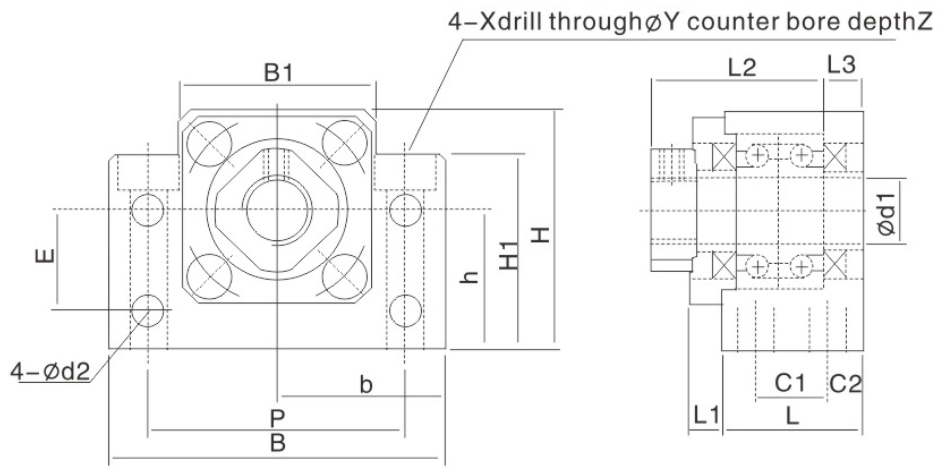


BK Lineer Yataklar / BK Linear Bearings



Teknik Çizim / Technical Drawing



(Unit) : mm

Teknik Özellikler / Technical Characteristics

(Unit) : mm

Type	d1	L	L1	L2	L3	C1	C2	b ^{±0.02}	h ^{±0.02}	B1	H1	E	P	d2	X	Y	Z
BK 10	10	25	5	29	5	13	6	30	22	34	32.5	15	46	5.5	6.6	10.8	5
BK 12	12	25	5	29	5	13	6	60	25	34	32.5	18	46	5.5	6.6	10.8	1.5
BK 15	15	27	6	32	6	15	6	70	28	40	38	18	54	5.5	6.6	11	6.5
BK 17	17	35	9	44	7	19	8	86	39	50	55	28	68	6.6	9	14	8.5
BK 20	20	35	8	43	8	19	8	88	34	52	50	22	70	6.6	9	14	8.5
BK 25	25	42	12	54	9	22	10	106	48	64	70	33	85	9	11	17.5	11
BK 30	30	45	14	61	9	23	11	128	51	76	78	33	102	11	14	20	13
BK 35	35	50	14	67	12	26	12	140	52	88	79	35	114	11	14	20	13
BK 40	40	61	18	76	15	33	14	160	60	100	90	37	130	14	18	26	17.5