

WINMAN 3 Parçalı ISO 5211, Paslanmaz Küresel Vana / 3PC Platform Ball Valve

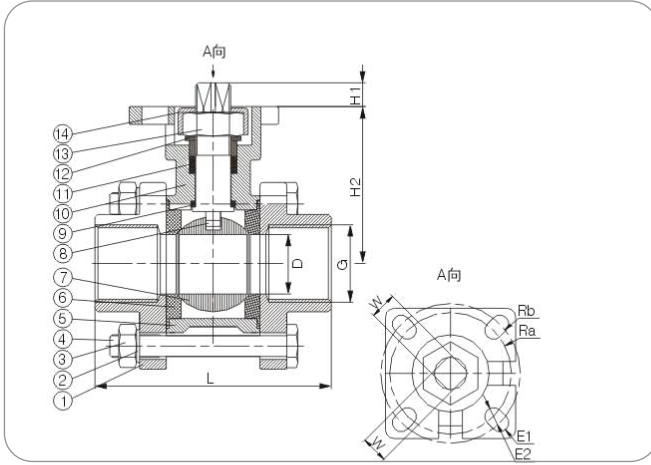


WKV-11-3

Özellikler / Features

Thread Standard	NPT	BSPT	DIN259	DIN2999	ISO228 CLASS A
Max. Pressure	6.4MPa				
Temperature Range	-20°C~232°C				
Suitable Medium	Water,oilair And Some Corrosive Liquids				
Blow-out Proof stem	Full Port				
Investment Casting Body					
1000PSI(PN64)W.O.G					
Material Standard	S45C/ASTM A216Gr WCB/DIN1.00619	SS316/ASTM A351Gr CF8M/DIN1.4408	SS304/ASTM A351Gr CF8/DIN1.4308		

Teknik Çizim / Technical Drawing



Ana Parçalar ve Malzemeler / Main Parts and Materials

1	Cap	CF8M/CF8/WCB
2	Bolt Washer	SS304/SS/SS316
3	Hex Nut	SS304/SS/SS316
4	Bolt	SS304/SS/SS316
5	Body	CF8M/CF8/WCB
6	Seat	PTFE
7	Ball	SS316/SS304/SS
8	Stem	SS316/SS304/SS
9	Thrust Washer	PTFE
10	Packing	PTFE
11	Gland	SS304/SS
12	Spring Washer	SS304/SS
13	Stem Nut	SS304/SS
14	Block Only Retreat	SS

Teknik Özellikler / Main Outer Size

Type	G	D	L	W	H1	H2	E1	E2	Ra	Rb	Actuator
6	1/4"	6	60	9	9	40	R3	R3	18	21	-
10	3/8"	10	60	9	9	40	R3	R3	18	21	-
15	1/2"	14	75	9	9	40	R3	R3	18	21	WPNA052DA
20	3/4"	19	80	9	9	45	R3	R3	18	21	WPNA052DA
25	1"	24	90	11	11	55	R3	R3.5	21	25	WPNA052DA
32	1 1/4"	32	110	11	11	60	R3	R3.5	21	25	WPNA063DA
40	1 1/2"	38	120	14	14	75	R3.5	R4.5	25	35	WPNA075DA
50	2"	50	140	14	14	83	R3.5	R4.5	25	35	WPNA083DA
65	2 1/2"	65	185	17	17	108	R3.5	R4.5	25	35	WPNA092DA
80	3"	80	205	17	17	116	R4.5	R5.5	35	51	WPNA105DA
100	4"	98	240	22	22	130	R4.5	R5.5	35	51	WPNA125DA