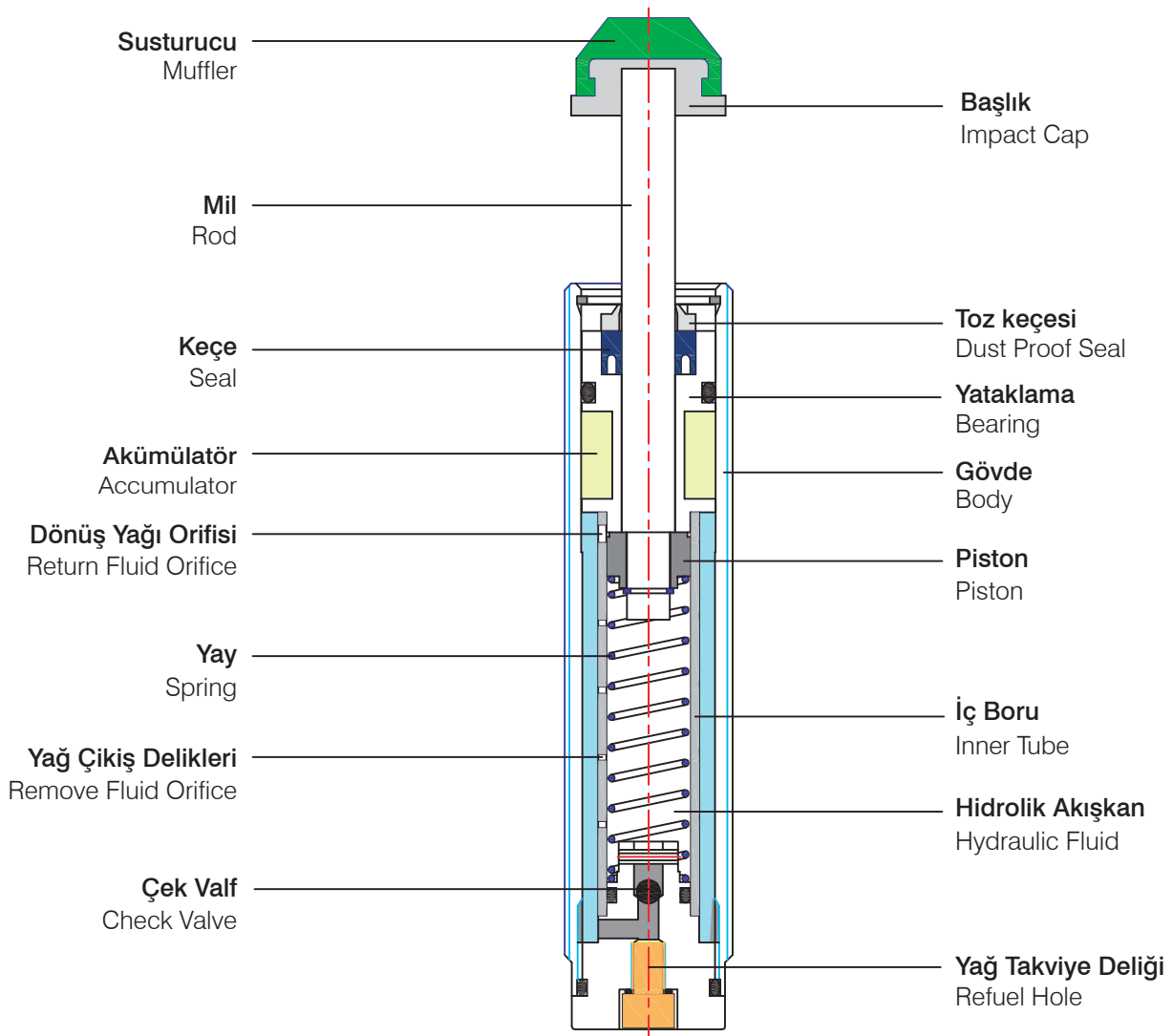


**WINMAN Shock Absorberlerin Çalışma Prensipleri / Operating Principle Of Shock Absorbers**

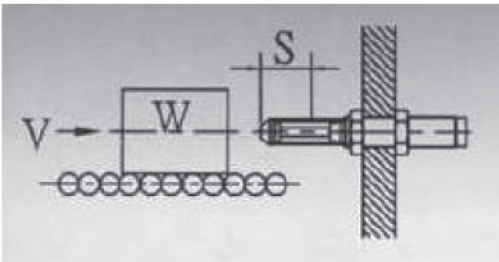
WINMAN Shock absorberler ana yapıları gövde, mil, keçe, iç boru, piston, akışkan ve yaydan oluşmuştur. Milin yükten dolayı aşağıya doğru hareketi yükün kuvvetini yay kuvveti ve hidrolik akışkanın direnci sayesinde yavaşlatarak sönümler ve durdurur. Doğrusal bir yavaşlama sağlanır. Yük kalktığına sönümleme yayı kurularak bir sonraki hareket için shock absorberin hazır olmasını sağlar.

WINMAN Shock absorber's main structure to combine with body, rod, bearing, inner tube, piston, fluid, spring. On impact the piston rod moves into the shock absorbers and the hydraulic fluid is push into accumulator to produce resistant force, the pressure in the inner tube remains constant throughout the entire impact stroke. WINMAN Shock Absorbers providing a linear deceleration and brings the impacting object to stop smoothly and quietly. At the end of the impact stroke, the return spring pushes the piston to its original position for next cycle.



## WINMAN Sembol ve Formüller / Symbols and Formulas

$E_1$	( Nm ) Kinetik enerji	$E_1 = 0.5 \times W \times V^2$	Kinetic energy ( Nm )
$E_2$	( Nm ) İş enerjisindeki itici kuvvet	$E_2 = F \times S$	Working enegy with propelling force ( Nm )
$E_3$	( Nm ) Toplam enerji	$E_3 = E_1 + E_2$	Total energy ( Nm )
$E_4$	( Nm ) Toplam enerjinin saate absorbe edilmesi	$E_4 = E_3 \times C$	Total energy to be absorbed per hour ( Nm )
$F$	( N ) İtici kuvvet	$F = 7.854 \times P \times d^2$	Propelling force ( N )
$F_m$	( N ) Maksimum darbe kuvveti	$F_m = 1.2 E_3 / S$	Maximum impact force ( N )
$V_g$	( m / s ) Serbest düşen cisim hızı	$V_g = \sqrt{2gh}$	Free falling object velocity ( m / s )
$We$	( kg ) Etkili Ağırlık	$We = 2 \times E_3 / V^2$	Effective weight ( kg )
$C$	Saat başına etkin döngü sayısı Number of impact cycles per hour	HP ( KW )	Motor gücü Motor rating
$W$	Nesnenin hareket ağırlığı ( kg ) Weight of moving object	d ( cm )	Silindirin iç çapı Inner diameter of cylinder
$P$	( kg/cm <sup>2</sup> ) Working pressure	h ( m )	Height
$R$	( m ) radius	ST	2.5 ( 1 ~ 2.5 ) Coefficient of torque
$R_s$	( m ) Distance between shock absorber and rotate center	g	m/s <sup>2</sup> = 9.81 Acceleration of gravity m/s <sup>2</sup>
$\mu$	Coefficient of friction	S ( m )	Stroke of shock absorber
$\theta$	( rad ) Impact or inclined plane's angle	T ( Nm )	Rotate torque
$\omega$	( rad/s ) Angular velocity	t ( sec )	Deceleration time
$V$	( m/s ) Impact velocity	m	Meter
		s	Second



Horizontal Impact

$w = 20 \text{ kg}$

$v = 1 \text{ m/s}$

$C = 1000 / \text{Hr}$

$E_1 = 0.5 \times W \times V^2$

$E_2 = 0$

$E_3 = E_1 + E_2$

$E_4 = E_3 \times C$

$We = W$

$E_1 = 0.5 \times 20 \times 1^2 = 10 \text{ Nm}$

$E_2 = 0$

$E_3 = 10 + 0 = 10 \text{ Nm} / C$

$E_4 = 10 \times 1000 = 10000 \text{ Nm} / \text{Hr}$

$We = 20 \text{ kg}$

Model WSC1415-1

## WINMAN WSC Serisi Shock Absorberler / WSC Series Shock Absorbers

MODEL	THREAD	STROKE (mm)	MAX NM PER CYCLE (nm)	EFFECTIVE WE (kg)	MAX IMPACT SPEED (m/s)	MAX NM PER HOUR (nm)	OPERATING TEMP. (°C)
WSC 0806-1	M8 x 1.0	6	1.8	0.9 ~ 5.6	2.0	2400	-10 ~ 70
WSC 0806-2				2.5 ~ 10	1.2		
WSC 0806-3				5.6 ~ 22.5	0.8		
WSC 1008-1	M10 x 1.0	8	3.2	0.9 ~ 4.4	2.6	5760	-10 ~ 70
WSC 1008-2				2.8 ~ 10	1.5		
WSC 1008-3				10 ~ 40	0.8		
WSC 1210-1	M12 x 1.0	10	6	1.8 ~ 12	2.6	10800	-10 ~ 70
WSC 1210-2				5.3 ~ 18.7	1.5		
WSC 1210-3				12 ~ 75	0.8		
WSC 1412-1	M14 x 1.5	12	16	4.7 ~ 32	2.6	28800	-10 ~ 70
WSC 1412-2				14 ~ 50	1.5		
WSC 1412-3				56 ~ 200	0.8		
WSC 1415-1	M14 x 1.0 M14 x 1.5	15	20	5.9 ~ 27.8	2.6	36000	-10 ~ 70
WSC 1415-2				17.8 ~ 62.5	1.5		
WSC 1415-3				62.5 ~ 250	0.8		
WSC 1425-1	M14 x 1.0 M14 x 1.5	25	28	4.6 ~ 25	3.5	58800	-10 ~ 70
WSC 1425-2				14 ~ 87.5	2.0		
WSC 1425-3				25 ~ 350	1.5		
WSC 2020-1	M20 x 1.5	20	35	6.8 ~ 27	3.2	42000	-10 ~ 70
WSC 2020-2				17.5 ~ 70	2.0		
WSC 2020-3				48.6 ~ 777	1.2		
WSC 2030-1	M20 x 1.5	30	46	9 ~ 36	3.2	55200	-10 ~ 70
WSC 2030-2				23 ~ 92	2.0		
WSC 2030-3				64 ~ 575	1.2		
WSC 2030-1 SO	M20 x 1.5	30	46	9 ~ 36	3.2	52000	-10 ~ 70
WSC 2030-2 SO				23 ~ 92	2.0		

## WINMAN WSC Serisi Shock Absorberler / WSC Series Shock Absorbers

MODEL	THREAD	STROKE (mm)	MAX NM PER CYCLE (nm)	EFFECTIVE WE (kg)	MAX IMPACT SPEED (m/s)	MAX NM PER HOUR (nm)	OPERATING TEMP. (°C)
WSC 2030-3 SO	M20 x 1.5	30	46	64 ~ 575	1.2	52000	-10 ~ 70
WSC 2050-1	M20 x 1.5	50	62	10.1 ~ 124	3.5	63240	-10 ~ 70
WSC 2050-2				18.3 ~ 253	2.6		
WSC 2050-3				55 ~ 496	1.5		
WSC 2050-11 A	M20 x 1.5	50	62	10.1 ~ 86	3.5	63240	-10 ~ 70
WSC 2050-12 A				7.8 ~ 55	4		
WSC 2050-13 A				6.1 ~ 38.3	4.5		
WSC 2525-1	M25 x 1.5 M25 x 2.0	25	78	15 ~ 69	3.2	70200	-10 ~ 70
WSC 2525-2				39 ~ 433	2.0		
WSC 2525-3				108 ~ 1733	1.2		
WSC 2540-1	M25 x 1.5 M25 x 2.0	40	122	20 ~ 108	3.5	87840	-10 ~ 70
WSC 2540-2				50 ~ 381	2.2		
WSC 2540-3				244 ~ 1991	1.0		
WSC 2550-1	M25 x 1.5 M25 x 2.0	50	140	20 ~ 124	3.7	100800	-10 ~ 70
WSC 2550-2				48 ~ 438	2.4		
WSC 2550-3				194 ~ 2286	1.2		
WSC 2580-1	M25 x 1.5 M25 x 2.0	80	198	24.7 ~ 99	4	118800	-10 ~ 70
WSC 2580-2				44 ~ 396	3.0		
WSC 2580-3				176 ~ 1584	1.5		
WSC 2725-1	M27 x 3.0	25	78	15 ~ 69	3.2	70200	-10 ~ 70
WSC 2725-2				39 ~ 433	2.0		
WSC 2725-3				108 ~ 1733	1.2		
WSC 3660-1	M36 x 1.5	60	260	57 ~ 231	3.0	124800	-10 ~ 70
WSC 3660-2				130 ~ 813	2.0		
WSC 3660-3				520 ~ 3250	1.0		



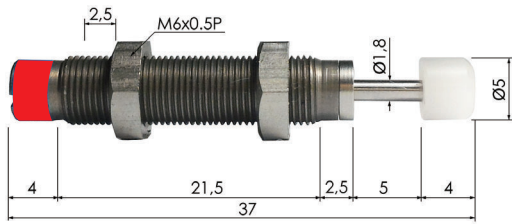
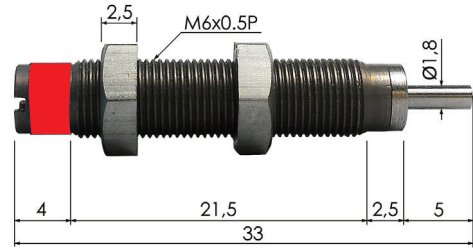
**WINMAN WSCD Serisi Shock Absorberler / WSCD Series Shock Absorbers**

MODEL	THREAD	STROKE (mm)	MAX NM PER CYCLE (nm)	EFFECTIVE WE (kg)	MAX IMPACT SPEED (m/s)	MAX NM PER HOUR (nm)	OPERATING TEMP. (°C)
WSCD 2030-1	M20 x 1.5	30	46	9 ~ 41	3.2	55200	-10 ~ 70
WSCD 2030-2				23 ~ 144	2.0		
WSCD 2030-3				64 ~ 575	1.2		
WSCD 2035-1	M20 x 1.5	35	52	10 ~ 46	3.2	62400	-10 ~ 70
WSCD 2035-2				26 ~ 162	2.0		
WSCD 2035-3				72 ~ 650	1.2		
WSCD 2050-1	M20 x 1.5	50	62	10.1 ~ 124	3.0	63240	-10 ~ 70
WSCD 2050-2				18.3 ~ 253	2.6		
WSCD 2050-3				55 ~ 496	1.5		

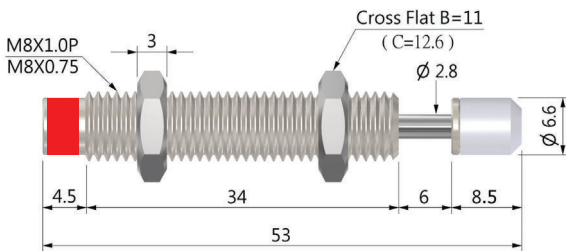
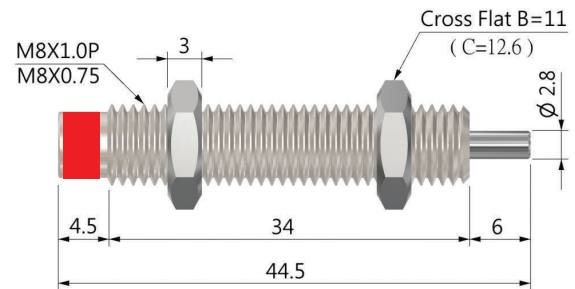
**WINMAN WSCS Serisi Shock Absorberler / WSCS Series Shock Absorbers**

MODEL	THREAD	STROKE (mm)	MAX NM PER CYCLE (nm)	EFFECTIVE WE (kg)	MAX IMPACT SPEED (m/s)	MAX NM PER HOUR (nm)	OPERATING TEMP. (°C)
WSCS 1412-1 NC		12	16	4.7 ~ 3.2	2.6	28800	-10 ~ 70
WSCS 1412-2 NC				14 ~ 50	1.5		
WSCS 1412-3 NC				50 ~ 200	0.8		
WSCS 2010-1 NC		10	18	3.5 ~ 14	3.2	21600	-10 ~ 70
WSCS 2010-2 NC				9 ~ 36	2.0		
WSCS 2010-3 NC				25 ~ 400	1.2		

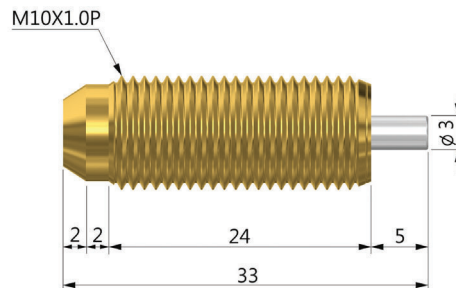
## WINMAN WSC Serisi Shock Absorberler / WSC Series Shock Absorbers

**WSC0605**

**WSC0605-NC**


MODEL	THREAD	STROKE mm	MAX NM PER CYCLE (NM)	EFFECTIVE MAX WE (KG)	MAX IMPACT SPEED (M/S)	MAX NM PER HOUR (NM)	RETURN FORCE N	OPERATING TEMP°C
WSC0605-1	M6 x 0.5	5	0.9	0.6 ~ 2.8	1.8	1,920	1.42 ~ 3.9	-10 ~ 70
WSC0605-2	M6 x 0.5	5	0.9	1.25 ~ 3.7	1.2	1,920	1.42 ~ 3.9	-10 ~ 70

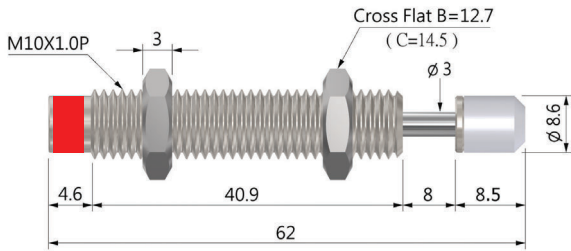
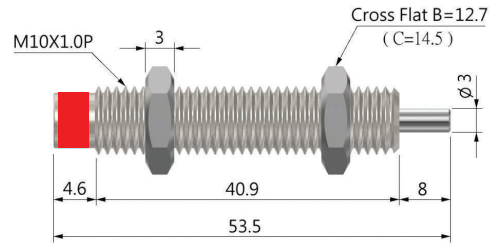
**WSC0806**

**WSC0806-NC**


MODEL	THREAD	STROKE mm	MAX NM PER CYCLE (NM)	EFFECTIVE MAX WE (KG)	MAX IMPACT SPEED (M/S)	MAX NM PER HOUR (NM)	RETURN FORCE N	OPERATING TEMP°C
WSC 0806-1	M8 x 1.0 M8 x 0.75	6	1.8	0.9 ~ 5.6	2.0	4,320	2.8 ~ 5.3	-10 ~ 70
WSC 0806-2	M8 x 1.0 M8 x 0.75	6	1.8	2.5 ~ 10	1.2	4,320	2.8 ~ 5.3	-10 ~ 70
WSC 0806-3	M8 x 1.0 M8 x 0.75	6	1.8	5.6 ~ 22.5	0.8	4,320	2.8 ~ 5.3	-10 ~ 70

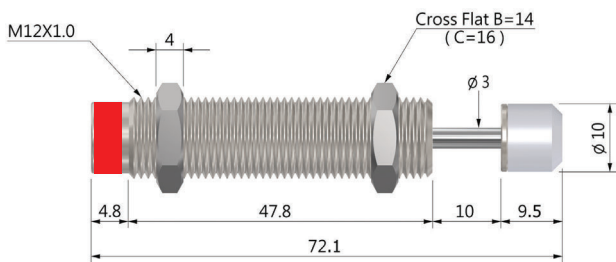
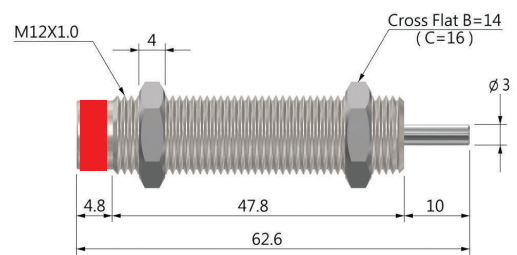
**WSC1005-NC**


MODEL	THREAD	STROKE mm	MAX NM PER CYCLE (NM)	EFFECTIVE MAX WE (KG)	MAX IMPACT SPEED (M/S)	MAX NM PER HOUR (NM)	RETURN FORCE N	OPERATING TEMP°C
WSC 1005-3	M10 x 1.0	5	2	6.3 ~ 25	0.8	4,800	3.7 ~ 8.6	-10 ~ 70

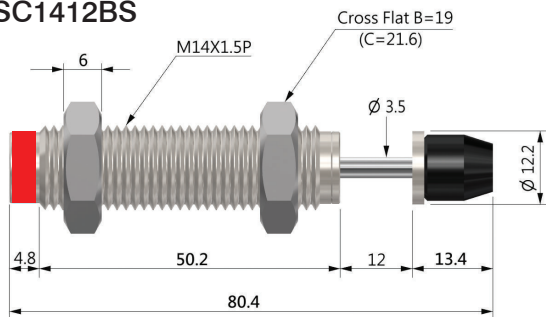
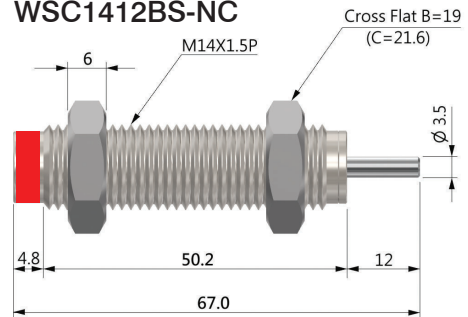
## WINMAN WSC Serisi Shock Absorberler / WSC Series Shock Absorbers

**WSC1008**

**WSC1008-NC**


MODEL	THREAD	STROKE mm	MAX NM PER CYCLE (NM)	EFFECTIVE MAX WE (KG)	MAX IMPACT SPEED (M/S)	MAX NM PER HOUR (NM)	RETURN FORCE N	OPERATING TEMP°C
WSC 1008-1	M10 x 1.0	8	3.2	0.9 ~ 10	2.6	7.680	3.5 ~ 6.5	-10 ~ 70
WSC 1008-2	M10 x 1.0	8	3.2	2.8 ~ 17.8	1.5	7.680	3.5 ~ 6.5	-10 ~ 70
WSC 1008-3	M10 x 1.0	8	3.2	10 ~ 40	0.8	7.680	3.5 ~ 6.5	-10 ~ 70

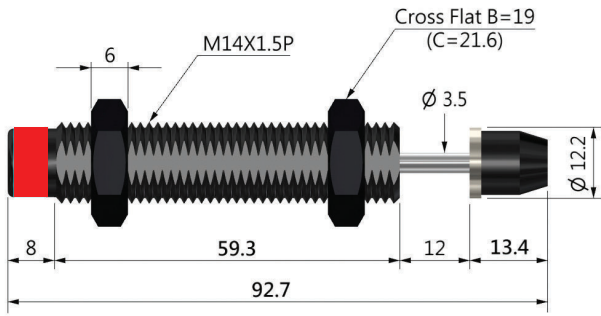
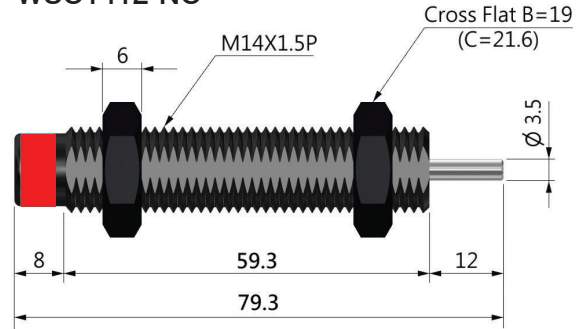
**WSC1210**

**WSC1210-NC**


MODEL	THREAD	STROKE mm	MAX NM PER CYCLE (NM)	EFFECTIVE MAX WE (KG)	MAX IMPACT SPEED (M/S)	MAX NM PER HOUR (NM)	RETURN FORCE N	OPERATING TEMP°C
WSC 1210-1	M12 x 1.0	10	6	1.8 ~ 18.8	2.6	14,400	4 ~ 9	-10 ~ 70
WSC 1210-2	M12 x 1.0	10	6	5.3 ~ 33	1.5	14,400	4 ~ 9	-10 ~ 70
WSC 1210-3	M12 x 1.0	10	6	12 ~ 75	0.8	14,400	4 ~ 9	-10 ~ 70

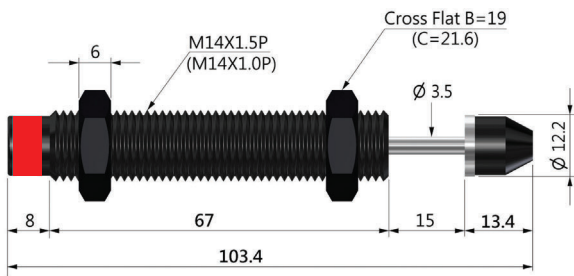
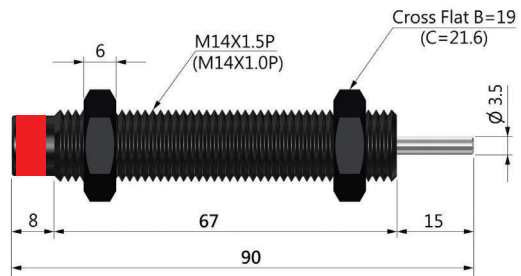
**WSC1412BS**

**WSC1412BS-NC**


MODEL	THREAD	STROKE mm	MAX NM PER CYCLE (NM)	EFFECTIVE MAX WE (KG)	MAX IMPACT SPEED (M/S)	MAX NM PER HOUR (NM)	RETURN FORCE N	OPERATING TEMP°C
WSC 1412BS-1	M14 x 1.5	12	16	4.7 ~ 32	2.6	28,800	4.4 ~ 9.2	-10 ~ 70
WSC 1412BS-2	M14 x 1.5	12	16	14 ~ 65	1.5	28,800	4.4 ~ 9.2	-10 ~ 70
WSC 1412BS-3	M14 x 1.5	12	16	56 ~ 200	0.8	28,800	4.4 ~ 9.2	-10 ~ 70

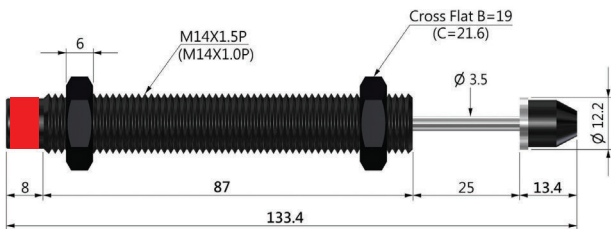
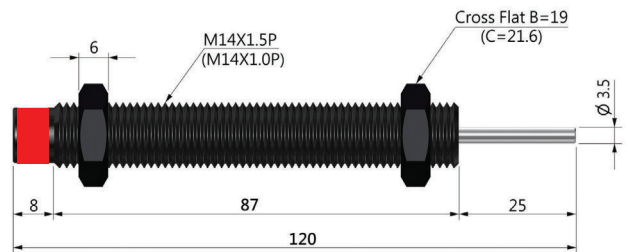
## WINMAN WSC Serisi Shock Absorberler / WSC Series Shock Absorbers

**WSC1412**

**WSC1412-NC**


MODEL	THREAD	STROKE mm	MAX NM PER CYCLE (NM)	EFFECTIVE MAX WE (KG)	MAX IMPACT SPEED (M/S)	MAX NM PER HOUR (NM)	RETURN FORCE N	OPERATING TEMP°C
WSC 1412-1	M14 x 1.5	12	16	4.7 ~ 32	2.6	28,800	6.1 ~ 14	-10 ~ 70
WSC 1412-2	M14 x 1.5	12	16	14 ~ 65	1.5	28,800	6.1 ~ 14	-10 ~ 70
WSC 1412-3	M14 x 1.5	12	16	56 ~ 200	0.8	28,800	6.1 ~ 14	-10 ~ 70

**WSC1415**

**WSC1415-NC**


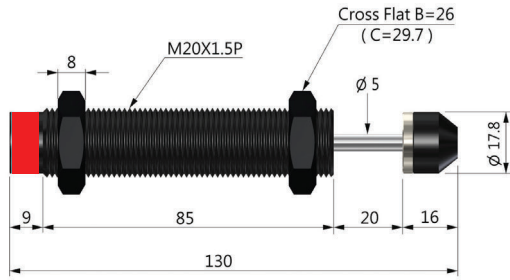
MODEL	THREAD	STROKE mm	MAX NM PER CYCLE (NM)	EFFECTIVE MAX WE (KG)	MAX IMPACT SPEED (M/S)	MAX NM PER HOUR (NM)	RETURN FORCE N	OPERATING TEMP°C
WSC 1415-1	M14 x 1.0 M14 x 1.5	15	20	5.9 ~ 40	2.6	36,000	6.1 ~ 15	-10 ~ 70
WSC 1415-2	M14 x 1.0 M14 x 1.5	15	20	17.8 ~ 81.6	1.5	36,000	6.1 ~ 15	-10 ~ 70
WSC 1415-3	M14 x 1.0 M14 x 1.5	15	20	62.5 ~ 250	0.8	36,000	6.1 ~ 15	-10 ~ 70

**WSC1425**

**WSC1425-NC**


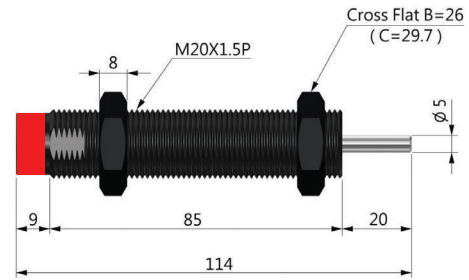
MODEL	THREAD	STROKE mm	MAX NM PER CYCLE (NM)	EFFECTIVE MAX WE (KG)	MAX IMPACT SPEED (M/S)	MAX NM PER HOUR (NM)	RETURN FORCE N	OPERATING TEMP°C
WSC 1425-1	M14 x 1.0 M14 x 1.5	25	28	4.6 ~ 39	3.5	58,800	6 ~ 15.5	-10 ~ 70
WSC 1425-2	M14 x 1.0 M14 x 1.5	25	28	14 ~ 114	2.0	58,800	6 ~ 15.5	-10 ~ 70
WSC 1425-3	M14 x 1.0 M14 x 1.5	25	28	25 ~ 350	1.5	58,800	6 ~ 15.5	-10 ~ 70

WINMAN WSC Serisi Shock Absorberler / WSC Series Shock Absorbers

WSC2020

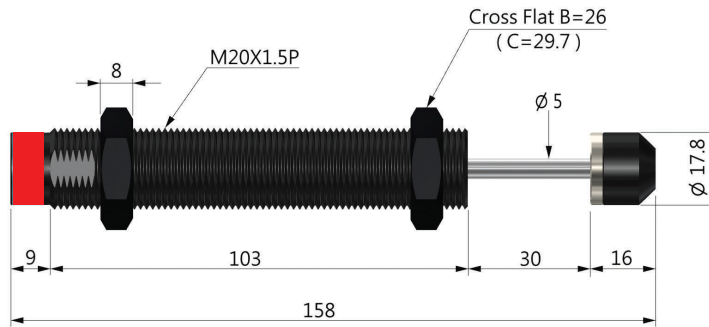


WSC2020-NC



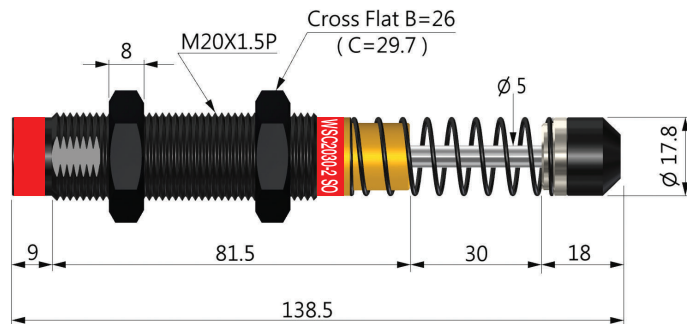
MODEL	THREAD	STROKE mm	MAX NM PER CYCLE (NM)	EFFECTIVE MAX WE (KG)	MAX IMPACT SPEED (M/S)	MAX NM PER HOUR (NM)	RETURN FORCE N	OPERATING TEMP°C
WSC 2020-1	M20 x 1.5	20	35	6.8 ~ 27	3.2	42,000	9 ~ 23	-10 ~ 70
WSC 2020-2	M20 x 1.5	20	35	17.5 ~ 70	2.0	42,000	9 ~ 23	-10 ~ 70
WSC 2020-3	M20 x 1.5	20	35	48.6 ~ 777	1.0	42,000	9 ~ 23	-10 ~ 70

WSC2030



MODEL	THREAD	STROKE mm	MAX NM PER CYCLE (NM)	EFFECTIVE MAX WE (KG)	MAX IMPACT SPEED (M/S)	MAX NM PER HOUR (NM)	RETURN FORCE N	OPERATING TEMP°C
WSC 2030-1	M20 x 1.5	30	46	9 ~ 36	3.2	55,200	8.6 ~ 24	-10 ~ 70
WSC 2030-2	M20 x 1.5	30	46	23 ~ 92	2.0	55,200	8.6 ~ 24	-10 ~ 70
WSC 2030-3	M20 x 1.5	30	46	64 ~ 575	.12	55,200	8.6 ~ 24	-10 ~ 70

WSC2030-SO

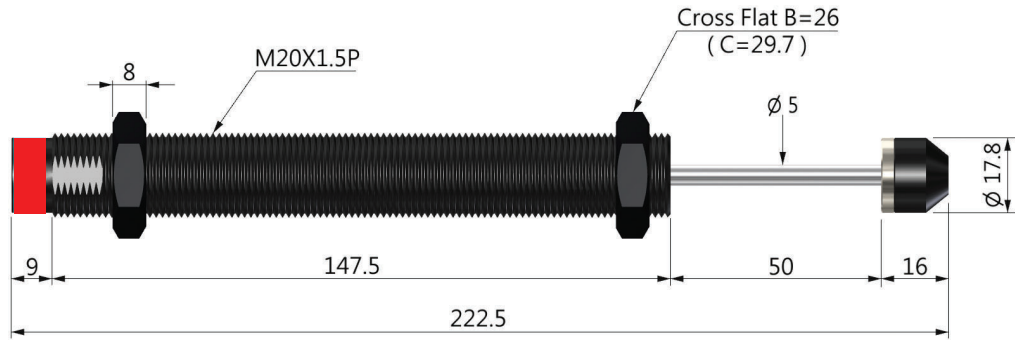


MODEL	THREAD	STROKE mm	MAX NM PER CYCLE (NM)	EFFECTIVE MAX WE (KG)	MAX IMPACT SPEED (M/S)	MAX NM PER HOUR (NM)	RETURN FORCE N	OPERATING TEMP°C
WSC 2030-2 SO	M20 x 1.5	30	46	23 ~ 92	2.0	55,200	7.4 ~ 18	-10 ~ 70



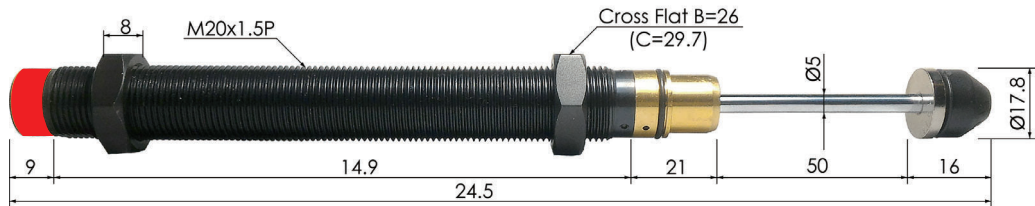
WINMAN WSC Serisi Shock Absorberler / WSC Series Shock Absorbers

WSC2050



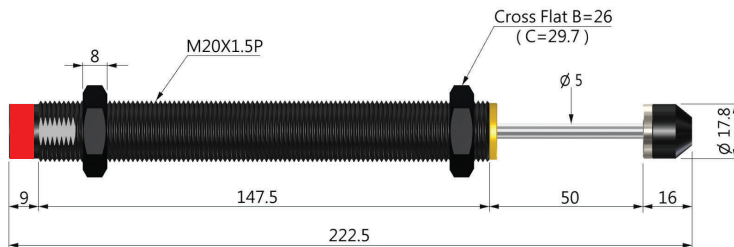
MODEL	THREAD	STROKE mm	MAX NM PER CYCLE (NM)	EFFECTIVE MAX WE (KG)	MAX IMPACT SPEED (M/S)	MAX NM PER HOUR (NM)	RETURN FORCE N	OPERATING TEMP°C
WSC 2050-1	M20 x 1.5	50	62	10.1 ~ 124	3.5	63,240	9 ~ 25	-10 ~ 70
WSC 2050-2	M20 x 1.5	50	62	18.3 ~ 253	2.6	63,240	9 ~ 25	-10 ~ 70
WSC 2050-3	M20 x 1.5	50	62	55 ~ 496	1.5	63,240	9 ~ 25	-10 ~ 70

WSC2050i



MODEL	THREAD	STROKE mm	MAX NM PER CYCLE (NM)	EFFECTIVE MAX WE (KG)	MAX IMPACT SPEED (M/S)	MAX NM PER HOUR (NM)	RETURN FORCE N	OPERATING TEMP°C
WSC 2050i-11A	M20 x 1.5	50	62	10.1 ~ 86	3.5	63,240	7 ~ 18	-10 ~ 70
WSC 2050i-12A	M20 x 1.5	50	62	7.8 ~ 55	4	63,240	7 ~ 18	-10 ~ 70
WSC 2050i-13A	M20 x 1.5	50	62	6.1 ~ 38.3	4.5	63,240	7 ~ 18	-10 ~ 70

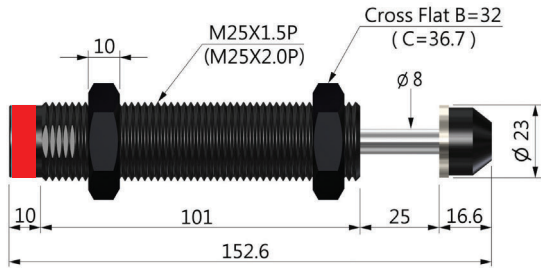
WSC2050-11A



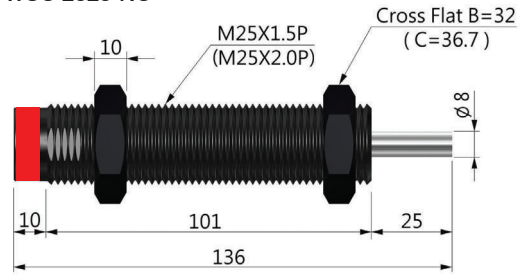
MODEL	THREAD	STROKE mm	MAX NM PER CYCLE (NM)	EFFECTIVE MAX WE (KG)	MAX IMPACT SPEED (M/S)	MAX NM PER HOUR (NM)	RETURN FORCE N	OPERATING TEMP°C
WSC 2050-11A	M20 x 1.5	50	62	10.1 ~ 86	3.5	63,240	7 ~ 18	-10 ~ 70
WSC 2050-12A	M20 x 1.5	50	62	7.8 ~ 55	4	63,240	7 ~ 18	-10 ~ 70
WSC 2050-13A	M20 x 1.5	50	62	6.1 ~ 38.3	4.5	63,240	7 ~ 18	-10 ~ 70

WINMAN WSC Serisi Shock Absorberler / WSC Series Shock Absorbers

WSC 2525

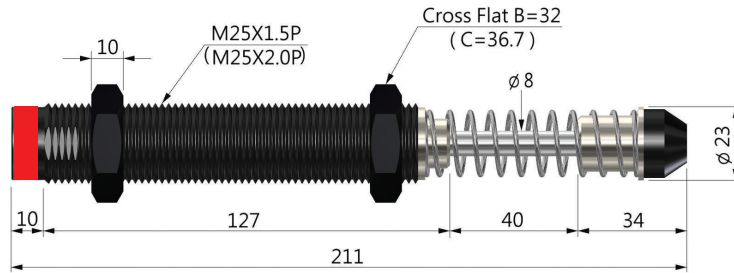


WSC 2525-NC



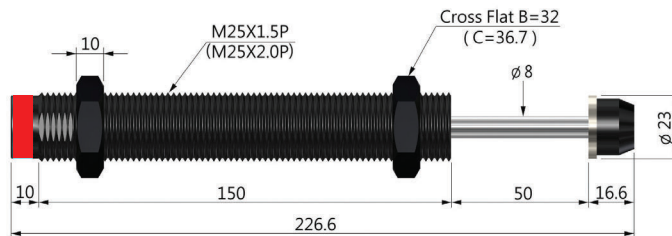
MODEL	THREAD	STROKE mm	MAX NM PER CYCLE (NM)	EFFECTIVE MAX WE (KG)	MAX IMPACT SPEED (M/S)	MAX NM PER HOUR (NM)	RETURN FORCE N	OPERATING TEMP°C
WSC 2525-1	M 25 x 1.5 M 25 x 2.0	25	78	15 ~ 69	3.2	70,200	8 ~ 27	-10 ~ 70
WSC 2525-2	M 25 x 1.5 M 25 x 2.0	25	78	39 ~ 433	2.0	70,200	8 ~ 27	-10 ~ 70
WSC 2525-3	M 25 x 1.5 M 25 x 2.0	25	78	108 ~ 1733	1.2	70,200	8 ~ 27	-10 ~ 70

WSC 2540



MODEL	THREAD	STROKE mm	MAX NM PER CYCLE (NM)	EFFECTIVE MAX WE (KG)	MAX IMPACT SPEED (M/S)	MAX NM PER HOUR (NM)	RETURN FORCE N	OPERATING TEMP°C
WSC 2540-1	M 25 x 1.5 M 25 x 2.0	40	122	20 ~ 108	3.5	87,840	13.7 ~ 41	-10 ~ 70
WSC 2540-2	M 25 x 1.5 M 25 x 2.0	40	122	50 ~ 381	2.2	87,840	13.7 ~ 41	-10 ~ 70
WSC 2540-3	M 25 x 1.5 M 25 x 2.0	40	122	244 ~ 1991	1.0	87,840	13.7 ~ 41	-10 ~ 70

WSC 2550

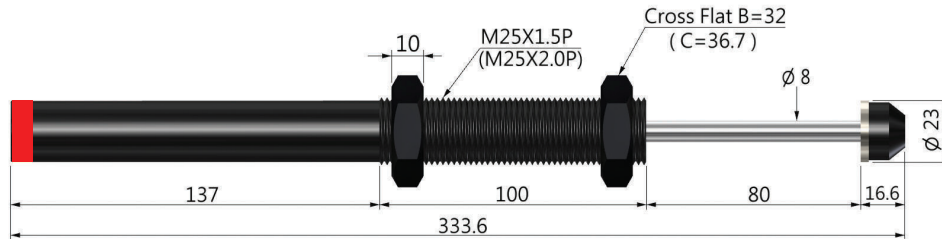


MODEL	THREAD	STROKE mm	MAX NM PER CYCLE (NM)	EFFECTIVE MAX WE (KG)	MAX IMPACT SPEED (M/S)	MAX NM PER HOUR (NM)	RETURN FORCE N	OPERATING TEMP°C
WSC 2550-1	M 25 x 1.5 M 25 x 2.0	50	140	20 ~ 124	3.7	100,800	13 ~ 28	-10 ~ 70
WSC 2550-2	M 25 x 1.5 M 25 x 2.0	50	140	48 ~ 438	2.4	100,800	13 ~ 28	-10 ~ 70
WSC 2550-3	M 25 x 1.5 M 25 x 2.0	50	140	194 ~ 2286	1.2	100,800	13 ~ 28	-10 ~ 70



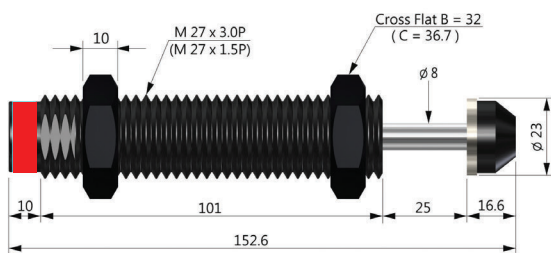
## WINMAN WSC Serisi Shock Absorberler / WSC Series Shock Absorbers

## WSC 2580

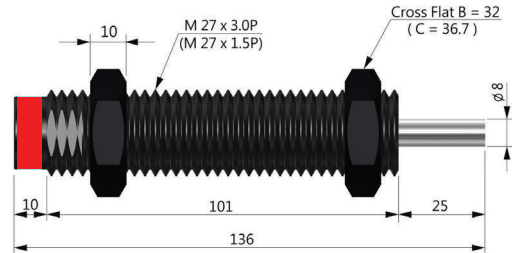


MODEL	THREAD	STROKE mm	MAX NM PER CYCLE (NM)	EFFECTIVE MAX WE (KG)	MAX IMPACT SPEED (M/S)	MAX NM PER HOUR (NM)	RETURN FORCE N	OPERATING TEMP °C
WSC 2580-1	M25 x 1.5 M25 x 2.0	80	198	24.7 ~ 99	4	118,800	12 ~ 27	-10 ~ 70
WSC 2580-2	M25 x 1.5 M25 x 2.0	80	198	44 ~ 396	3.0	118,800	12 ~ 27	-10 ~ 70
WSC 2580-3	M25 x 1.5 M25 x 2.0	80	198	176 ~ 1,584	1.5	118,800	12 ~ 27	-10 ~ 70

## WSC 2725

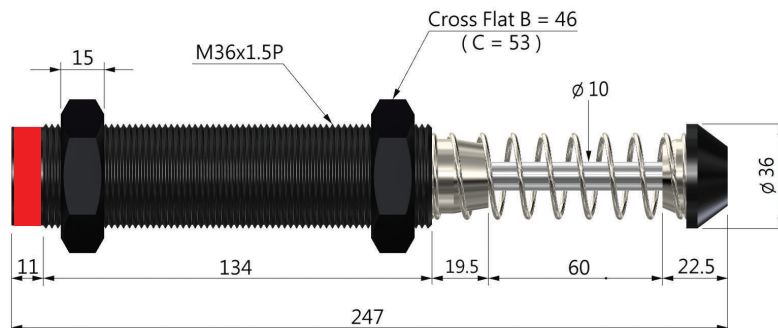


## WSC 2725-NC



MODEL	THREAD	STROKE mm	MAX NM PER CYCLE (NM)	EFFECTIVE MAX WE (KG)	MAX IMPACT SPEED (M/S)	MAX NM PER HOUR (NM)	RETURN FORCE N	OPERATING TEMP °C
WSC 2725-1	M27 x 3.0 M27 x 1.5	25	78	15 ~ 69	3.2	70,200	8 ~ 27	-10 ~ 70
WSC 2725-2	M27 x 3.0 M27 x 1.5	25	78	39 ~ 433	2.0	70,200	8 ~ 27	-10 ~ 70
WSC 2725-3	M27 x 3.0 M27 x 1.5	25	78	108 ~ 1733	1.2	70,200	8 ~ 27	-10 ~ 70

## WSC 3660



MODEL	THREAD	STROKE mm	MAX NM PER CYCLE (NM)	EFFECTIVE MAX WE (KG)	MAX IMPACT SPEED (M/S)	MAX NM PER HOUR (NM)	RETURN FORCE N	OPERATING TEMP °C
WSC 3660-1	M36 x 1.5	60	260	57 ~ 231	3.0	124,800	15 ~ 58	-10 ~ 70
WSC 3660-2	M36 x 1.5	60	260	130 ~ 813	2.0	124,800	15 ~ 58	-10 ~ 70
WSC 3660-3	M36 x 1.5	60	260	520 ~ 3250	1.0	124,800	15 ~ 58	-10 ~ 70

WINMAN WSC Serisi Shock Absorberler / WSC Series Shock Absorbers

