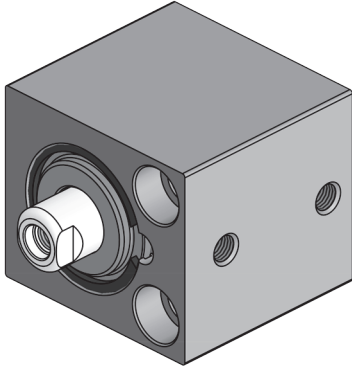


WRD Serisi Kompakt Silindirler / WRD Series Compact Cylinders

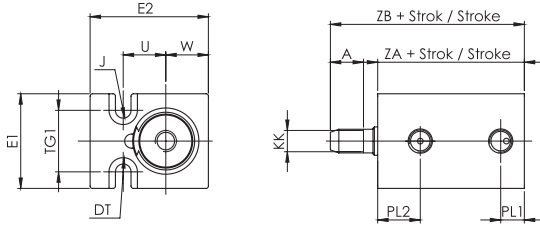


Özellikler / Specification

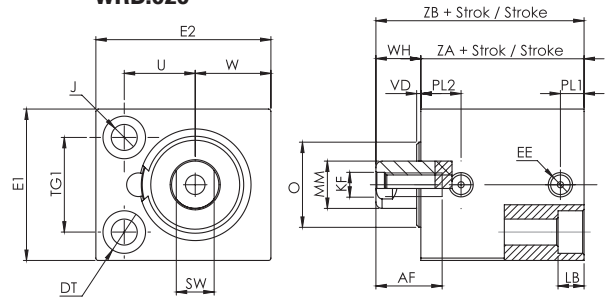
| | | | | | | |
|--------------------------------|--|----|----|----|----|----|
| Piston Çapı / Bore Size | 8 | 12 | 20 | 32 | 50 | 63 |
| Çalışma Tipi / Acting Type | Çift Etkili / Double Acting | | | | | |
| Akışkan / Fluid | Hava (40µm filtrelenmiş) / Air (40µm filtered) | | | | | |
| Çalışma Basıncı / Op. Pressure | < 10 Bar | | | | | |
| Sıcaklık / Temperature | 0 ~ +80 °C | | | | | |
| Manyetik / Magnetic | - | | | | | |
| Yastıklama Tipi / Cush. Type | - | | | | | |
| Hız / Speed Range | < 500 mm/s | | | | | |
| Sensör / Sensör Switches | - | | | | | |

Teknik Çizim / Technical Drawing

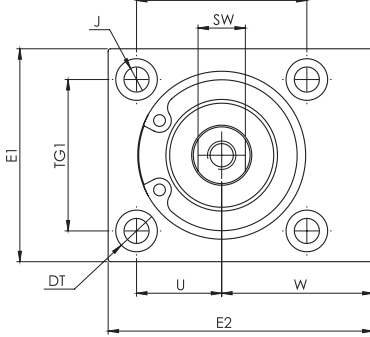
WRD.012



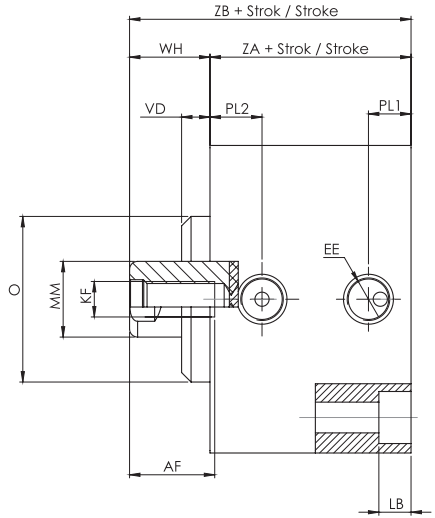
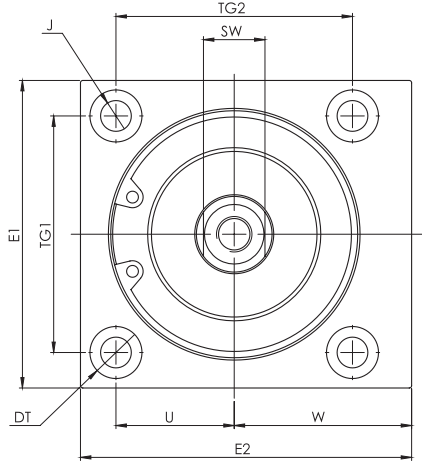
WRD.020



WRD.032



WRD.050/063

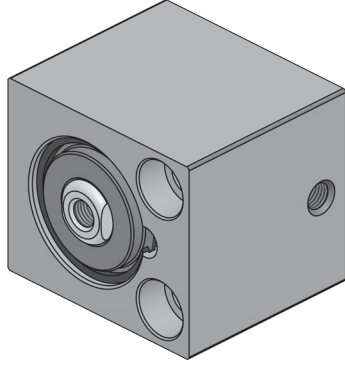


| Ø mm | A | AF | DT Ø | E1 | E2 | EE | KF | KK | LB | MM Ø | J Ø | O Ø | PL1 | PL2 | SW | TG1 | TG2 | U | VD | W | WH | ZA + | ZB + | STANDART BOY |
|------|---|----|------|----|----|------|----|----|-----|------|-----|-----|-----|-----|----|-----|-----|----|-----|------|------|------|------|-----------------------------|
| 12 | 9 | - | 6 | 20 | 25 | M5 | - | M5 | 3.4 | 6 | 3.3 | - | 5 | 9 | - | 13 | - | 9 | - | 9 | 1 | 21 | 31 | 5 - 10 - 15 20 - 25 - 30 |
| 20 | - | 10 | 9 | 32 | 37 | M5 | M5 | - | 5.5 | 10 | 5.5 | - | 5 | 8.5 | 8 | 20 | - | 15 | - | 16 | 9.5 | 24.5 | 34 | |
| 32 | - | 15 | 9.5 | 45 | 56 | G1/8 | M6 | - | 5.7 | 12 | 10 | 32 | 8.5 | 12 | 10 | 32 | 36 | 18 | 3.5 | 24 | 12.5 | 33 | 45.5 | |
| 50 | - | 17 | 11 | 65 | 70 | G1/8 | M8 | - | 6.8 | 16 | 6.5 | 35 | 9 | 11 | 13 | 50 | 50 | 25 | 6 | 32.5 | 17 | 32.5 | 49.5 | |
| 63 | - | 17 | 14 | 80 | 85 | G1/8 | M8 | - | 9 | -16 | 9 | 35 | 8 | 13 | 13 | 62 | 62 | 31 | 6.5 | 40 | 17 | 35.5 | 52.5 | |

Sipariş Kodu / Ordering Code

| | | |
|------------------------------|--------------------------------|----------------------|
| MODEL | ÇAP DIA | STROK STROKE |
| WRD | 012 | 0030 |
| ÇİFT ETKİLİ Double Acting | PISTON ÇAPI (mm) Piston Dia | STROK (mm) Stroke |

WRS Serisi Kompakt Silindirler / WRS Series Compact Cylinders

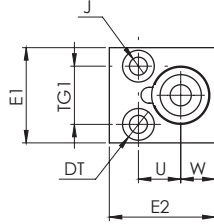


Özellikler / Specification

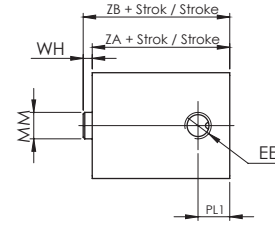
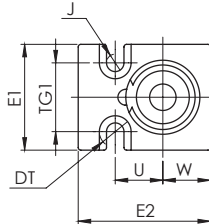
| | | | | | | |
|--------------------------------|--|----|----|----|----|----|
| Piston Çapı / Bore Size | 8 | 12 | 20 | 32 | 50 | 63 |
| Çalışma Tipi / Acting Type | Tek Etkili / Single Acting | | | | | |
| Akışkan / Fluid | Hava (40µm filtrelenmiş) / Air (40µm filtered) | | | | | |
| Çalışma Basıncı / Op. Pressure | < 10 Bar | | | | | |
| Sıcaklık / Temperature | 0 ~ +80 °C | | | | | |
| Manyetik / Magnetic | - | | | | | |
| Yastıklama Tipi / Cush. Type | - | | | | | |
| Hız / Speed Range | < 500 mm/s | | | | | |
| Sensör / Sensor Switches | - | | | | | |

Teknik Çizim / Technical Drawing

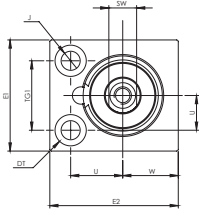
WRS.008



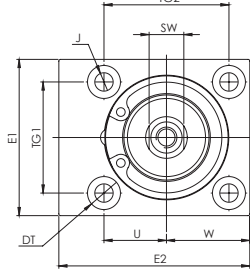
WRS.012



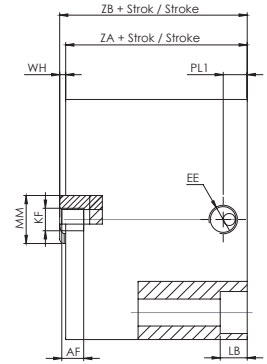
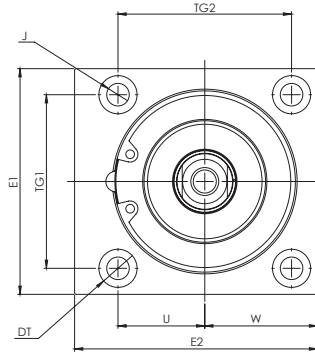
WRS.020



WRS.032



WRS.050/063



| Ø mm | Strok/Stroke | AF | DT Ø | E1 | E2 | EE | KF | LB | MM Ø | JØ | PL1 | SW | TG1 | TG2 | U | W | WH | ZA + | ZB + |
|------|--------------|------|------|----|----|------|----|-----|------|-----|-----|----|-----|-----|----|------|----|------|------|
| 8 | 4 | - | 6 | 18 | 20 | M5 | - | 3.1 | 4 | 3.4 | 5.5 | - | 11 | - | 8 | 6.5 | 1 | 12 | 13 |
| 12 | 4 | - | 6 | 20 | 25 | M5 | - | 3.4 | 5 | 3.3 | 6 | - | 13 | - | 9 | 9 | 1 | 12 | 13 |
| 12 | 10 | 10 | 6 | 20 | 25 | M5 | M3 | 3.4 | 5 | 3.3 | 6 | - | 13 | - | 9 | 9 | 4 | 16 | 20 |
| 20 | 4 | 9 | 9 | 32 | 37 | M5 | M5 | 5.5 | 10 | 5.5 | 5 | 8 | 20 | - | 15 | 16 | 1 | 16 | 17 |
| 20 | 10 | 10 | 9 | 32 | 37 | M5 | M5 | 5.5 | 10 | 5.5 | 5 | 8 | 20 | - | 15 | 16 | 1 | 22 | 23 |
| 20 | 25 | 10 | 9 | 32 | 37 | M5 | M5 | 5.5 | 10 | 5.5 | 5 | 8 | 20 | - | 15 | 16 | 1 | 28 | 29 |
| 32 | 5 | 10 | 9.5 | 45 | 55 | G1/8 | M6 | 5.7 | 12 | 5.3 | 8.5 | 10 | 32 | 36 | 18 | 24 | 1 | 21 | 22 |
| 32 | 10 | 14.5 | 9.4 | 45 | 55 | G1/8 | M6 | 5.7 | 12 | 5.3 | 8.3 | 10 | 32 | 36 | 18 | 24 | 1 | 21 | 22 |
| 32 | 25 | 14.5 | 9.5 | 45 | 55 | G1/8 | M6 | 5.7 | 12 | 5.3 | 8.5 | 10 | 32 | 36 | 18 | 24 | 1 | 32.5 | 33.5 |
| 50 | 10 | 10.5 | 11 | 65 | 70 | G1/8 | M8 | 6.8 | 16 | 6.5 | 7.5 | 10 | 50 | 50 | 25 | 32.5 | 1 | 20 | 21 |
| 50 | 25 | 15.5 | 11 | 65 | 70 | G1/8 | M8 | 6.8 | 16 | 6.5 | 8 | 13 | 50 | 50 | 25 | 32.5 | 1 | 32.5 | 33.5 |
| 63 | 10 | 14.5 | 14 | 80 | 85 | G1/8 | M8 | 9 | 16 | 9 | 8 | 13 | 62 | 62 | 31 | 40 | 1 | 25 | 26 |
| 63 | 25 | 14.5 | 14 | 80 | 85 | G1/8 | M8 | 9 | 16 | 9 | 8 | 13 | 62 | 62 | 31 | 40 | 2 | 35.5 | 37.5 |

Sipariş Kodu / Ordering Code

| | | |
|-----------------------------|-------------------------------|----------------------|
| MODEL | CAP DIA | STROK STROKE |
| WRS | 012 | 0030 |
| TEK ETKİLİ Single Acting | PISTON ÇAP (mm) Piston Dia | STROK (mm) Stroke |