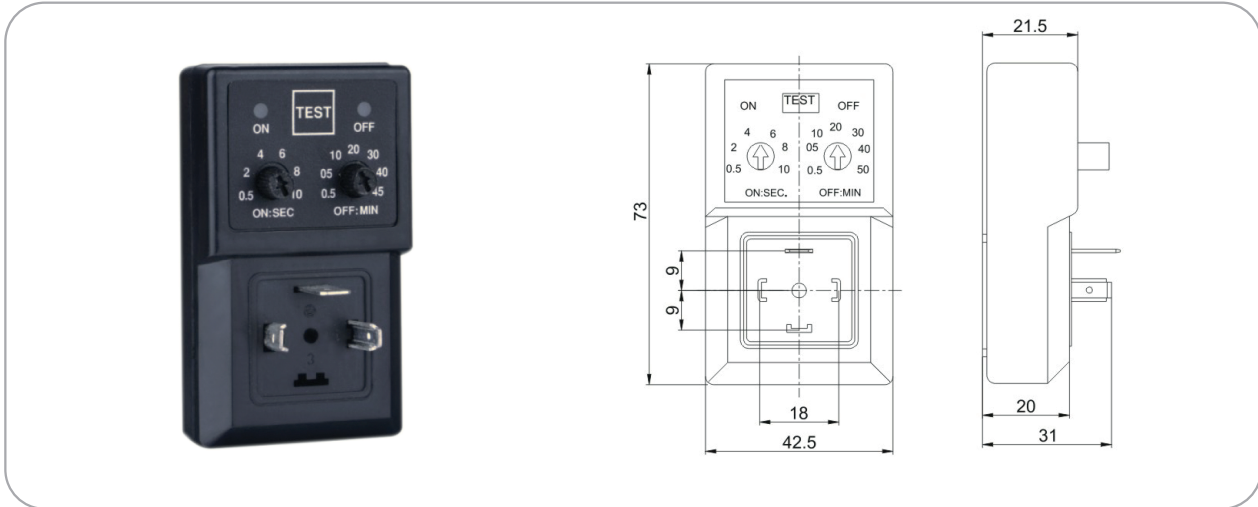


**Digital electronic timers**

Series:  
WPN TIMER 720

**Overall Dimension**



Supply voltage	24..240V AC/DC-50Hz/60Hz for "CE" marked Timer	Duty cycle	100%ED
Absorption current	4mA Max	Switch Life	3X10 <sup>8</sup>
Operating temperature	-10°C+50°C	Time ON:	from 0.5 to 10s.
Class protection	IP65-EN 60529	Time OFF:	from 0.5 to 45 min.
Switch holding voltage	400V Max	Indicators	Yellow LED
Switch capacity	1A	Manual override	Test
Inrush current	10A for 10 ms	Termination	DIN43650A