

## MODULAR COUNTER-BALANCE VALVE



### Technical Specification

Specification	02	03
Maximum working pressure (Bar)	210	
Max. Flow (L/min)	35	70
Working fluid	Mineral oil; phosphate-ester	
Fluid temp. (°C)	-20~70	
Viscosity (mm <sup>2</sup> /s)	12~380	
Working press (Bar)	70	140 210
Cleanliness	The maximum allowable cleanliness of the oil should be according to 9th degree of Standard NAS 1638. It is suggested that the minimum filter rating should be $\beta_{10} \geq 75$ .	

### Model Description

WDYP - \* \* - \* - \* / \* 70 \*

Modular counter-balance valve

Remarks

Specification  
02 : DN 6  
03 : DN 10

Serial number

A : A Pipeline relief  
B : B Pipeline relief

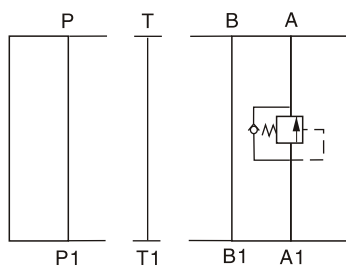
Seal material  
Omit : NBR Seals  
V : FPM Seals

Working pressure  
7 : to70 bar  
14 : to140 bar  
21 : to210 bar

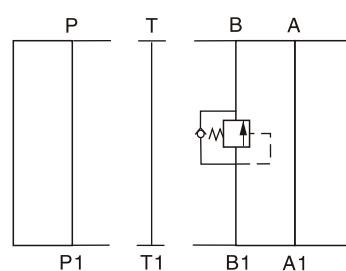
8 Handle

### Code Symbol

A Pipeline



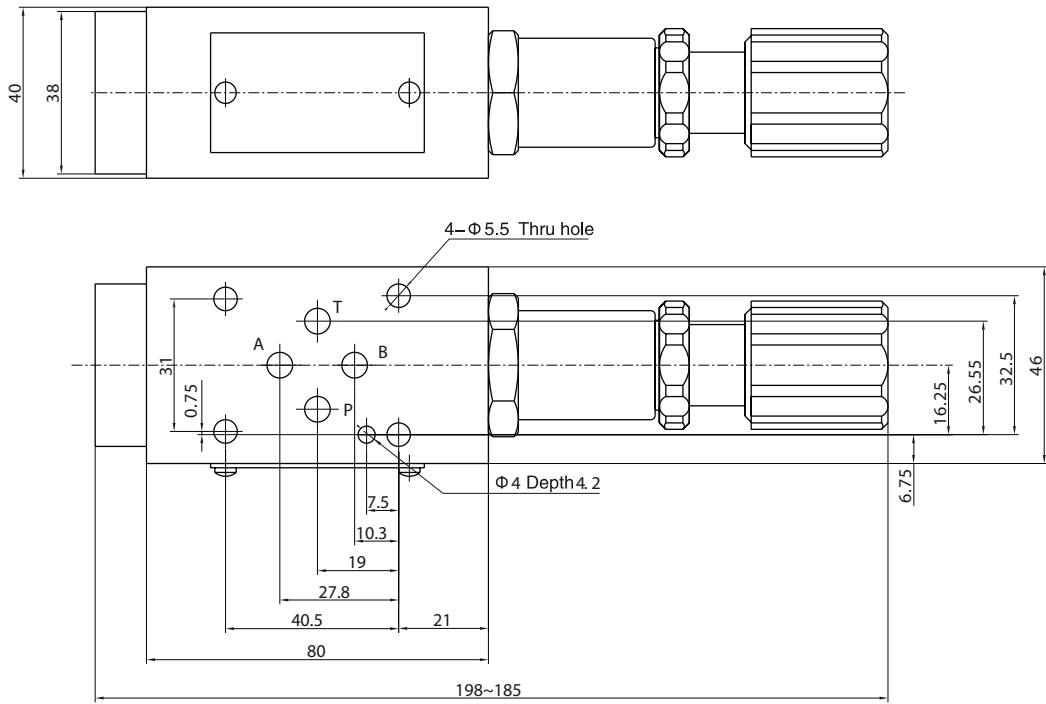
B Pipeline



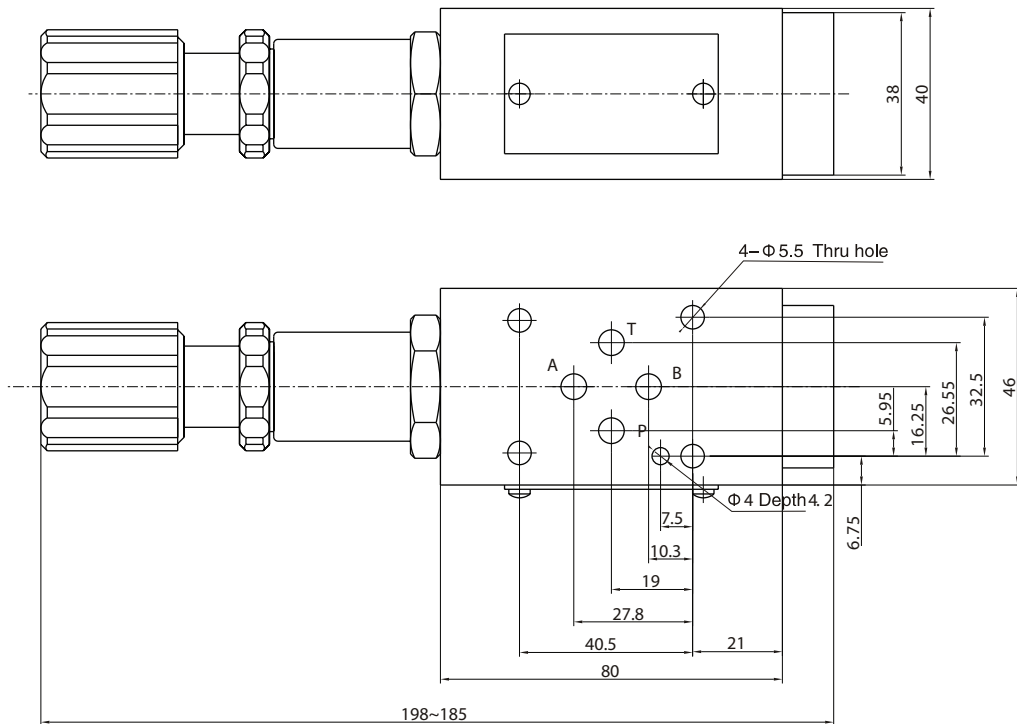
**MODULAR COUNTER-BALANCE VALVE**

**02 External Dimensions**

**WDYP -02-A ...**



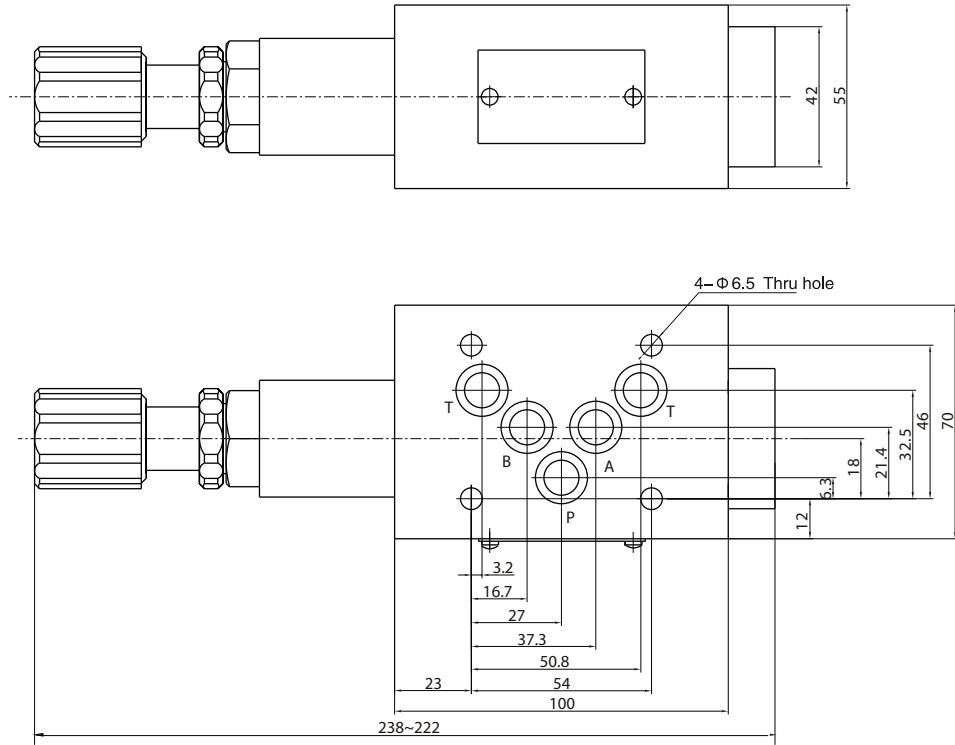
**WDYP -02-B ...**



**MODULAR COUNTER-BALANCE VALVE**

**03 External Dimensions**

**WDYP-03-A ...**



**WDYP-03-B ...**

