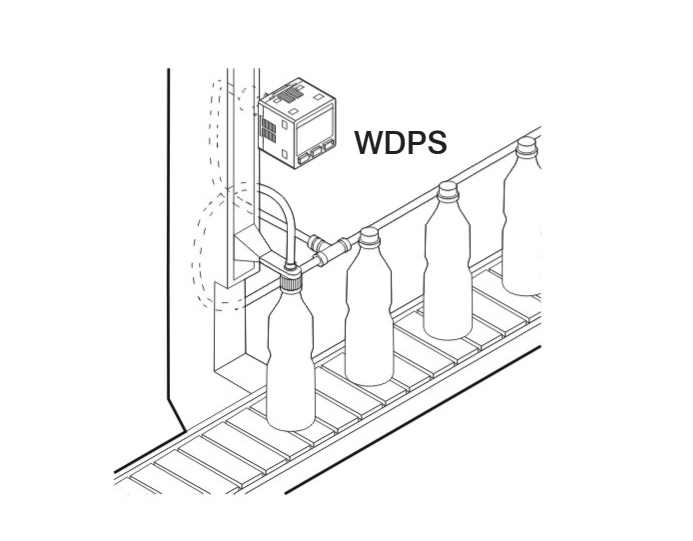


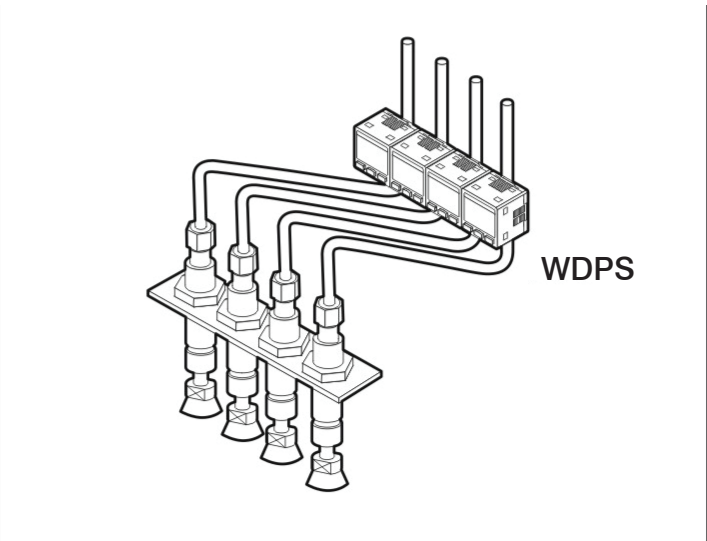
WINMAN WDPS Serisi Dijital Basınç Şalteri / WDPS Series Digital Pressure Switch



Positive Pressure Application

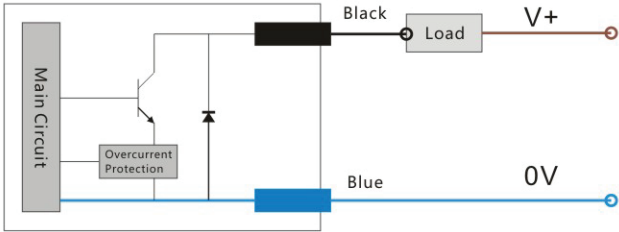


Vacuum Application



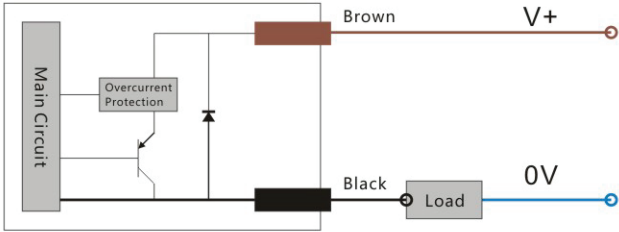
WINMAN WDPS Serisi Dijital Basınç Şalteri / WDPS Series Digital Pressure Switch

NPN output



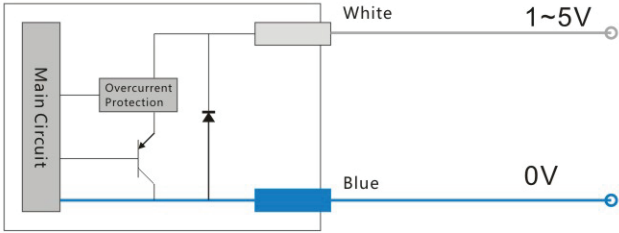
NPN OC circuit:
Low level output When The Switch is On:
High resistance when the switch is off:

PNP output

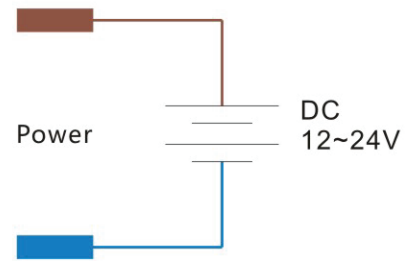
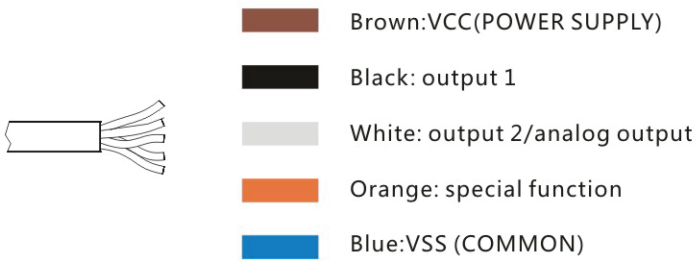


PNP OC circuit:
High level output when the switch is on
High resistance when the switch is off:

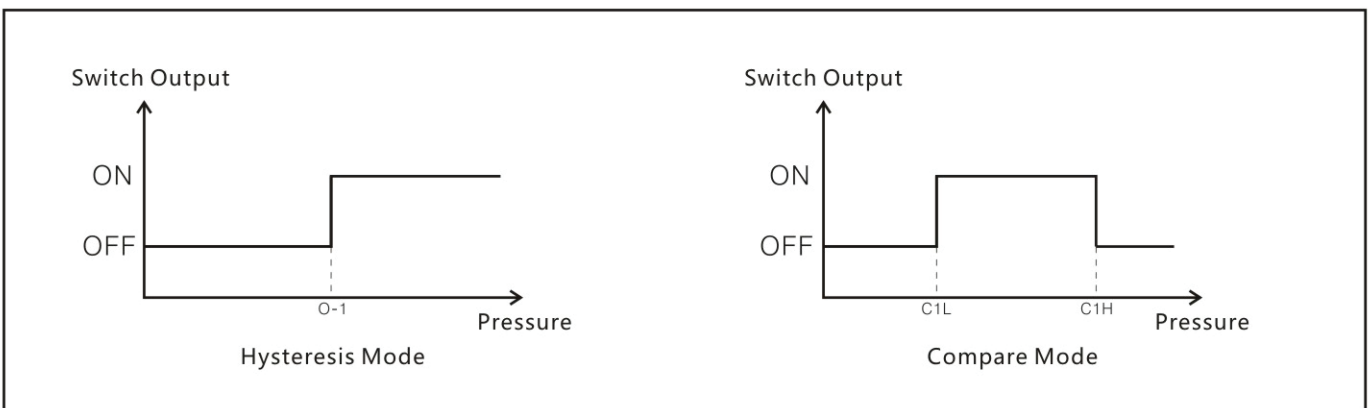
Voltage analog output

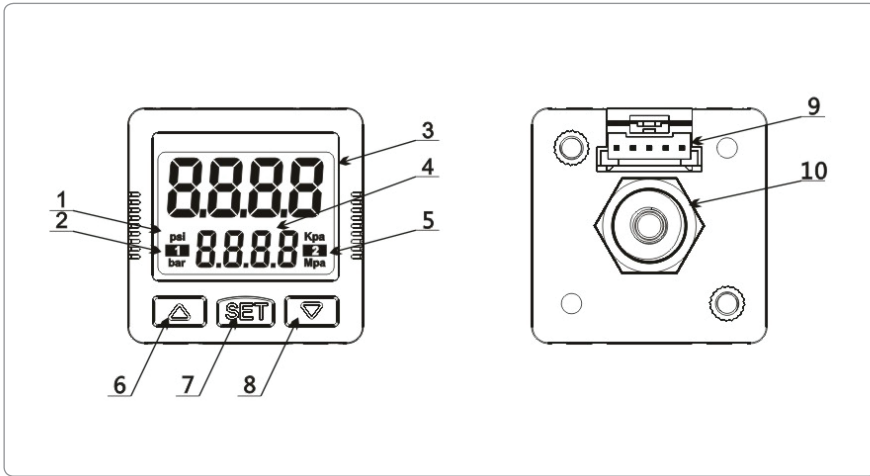


Analog voltage output
Full scale proportional output
Reference level 0V



Output function diagram



WINMAN WDPS-2 Serisi Dijital Basınç Şalteri / WDPS-2 Series Digital Pressure Switch
Panel


NO.	Name
1	Pressure Unit
2	Output 1 indicator
3	Main Display section
4	Sub-display section
5	Output 2 indicator
6	▲Button
7	Setting Button
8	▼Button
9	Electric Interface
10	Pressure port

Specification

Model		WDPS-201 Compound	WDPS-210 Positive
Pressure Measure	Range of measure	-100 kPa~100 kPa	-0.100 MPa~1.000 MPa
	Setting range	-100 kPa~100 kPa	0.000 MPa~1.000 MPa
	Withstand pressure	500kPa	1.500MPa
	Pressure type	Non-flammable, non-corrosive gas, gauge pressure measurement	
	Measure accuracy	$\leq \pm 2\%F.S.$ (Ambient temperature 25°C)	
	Temperature error	$\leq \pm 3\%F.S.$ (Ambient temperature 50°C)	
	Measure pattern	Hysteresis mode Compare mode of upper and lower bounds	
Port size		External R1/8,NPT1/8,G1/8 option, internal thread M5	
Display	Brief description	Double LCD display	
	Status display	4-digital measurement value, unit display, output status display	
	Display model	Adjustable backlight, 4 groups of display models	
Input power	Voltage range	12~24VDC $\pm 10\%$	
	Power consumption	40mA Max (non-load)	
Output signal	Transistor output	NPN open-collector output Output current : 80mA MAX Voltage drop : $\leq 1V$	PNP open-collector output Output current : 80mA MAX Voltage drop : $\leq 1V$
	Analog output	Voltage output Signal amplitude : 1~5V Load resistance $\geq 1 K\Omega$	Current output Signal amplitude : 4~20mA Load resistance : $\leq 400\Omega$
	Response time	Adjustable:2.5ms, 20ms, 100ms, 500ms, 1000ms, 2000ms	
	Short-circuit protection	Yes	
	Environmental resistance	IP level	IP40
	Ambient temperature	Operating temperature 0~50°C, storage temperature-20~60°C	
	Ambient humidity	Operating humidity 35~80%RH	
	Insulation voltage	1000VAC 1min	
	Insulation resistance	$\geq 50M\Omega$ (500VDC)	
	Shock	Max 100m/s ² , 3 times each in6 directions of X,Y and Z	
	vibration	Amplitude 1.5mm. 10HZ~500HZ,2 hours each direction of X.Y and Z	

WINMAN WDPS-2 Serisi Dijital Basınç Şalteri / WDPS-2 Series Digital Pressure Switch

Ordering code

<p>Code: WDPS-2 2:Series</p> <p>Range: 10: -100~100kPa 01 : 100~100kPa</p> <p>Port: R : R1/8 (M5 thread) N : NPT1/8 (M5 thread) G : G1/8 (M5 thread)</p>	<p>Mounting: M: Panel + shield Z:L Bracket S:S Bracket</p> <p>Output: N : NPN X2 P : PNP X 2 V : NPN + Analog 4~20mA A : NPN + Analog 1~5V B : NPN + Analog 4 ~ 20mA W : PNP + Analog 1~ 5V</p>
--	---

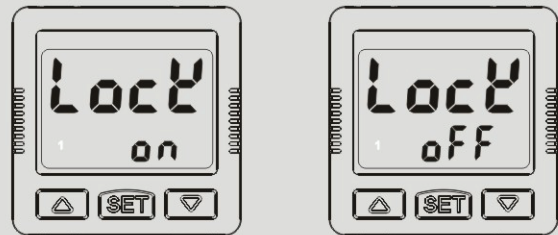
Quick Setting

● Zero point setting



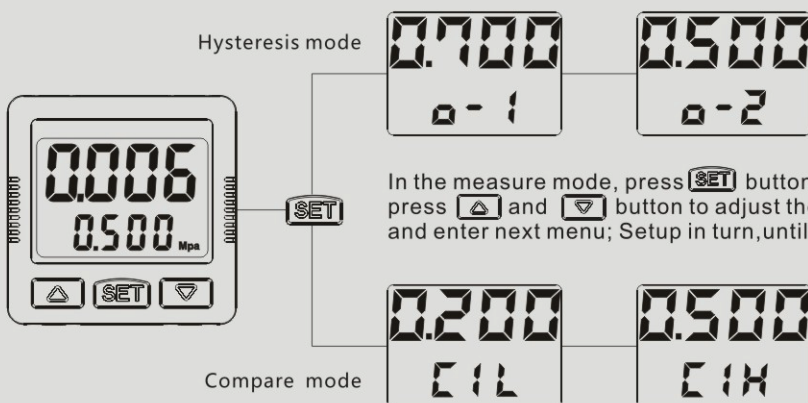
In the measure mode, press + button at the same time, until display "0", release the button;
PS: reset range: +/- 10% F.S.

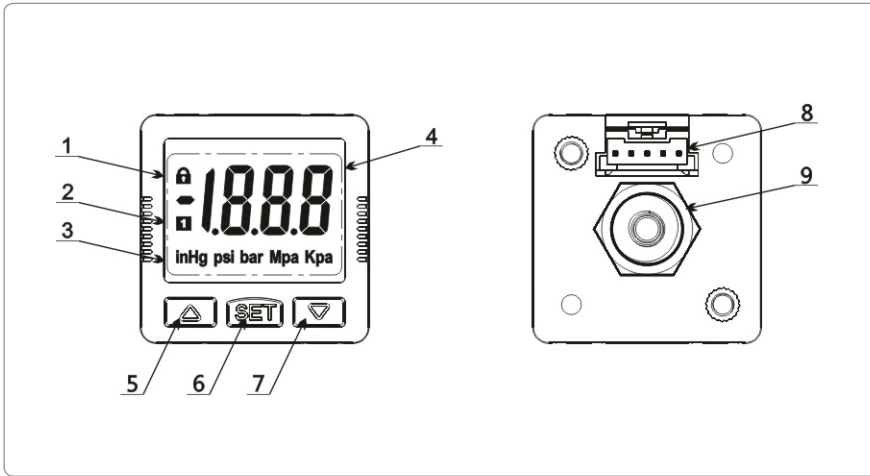
● Key lock and unlock



Lock: in the measure mode, press + + button at the same time until "LOCK ON" shown, release the buttons;
Unlock: in the measure mode, press + + button at the same time until "LOCK OFF" shown, release the buttons.

● Easy setting function



WINMAN WDPS-3 Serisi Dijital Basınç Şalteri / WDPS-3 Series Digital Pressure Switch
Panel


NO.	Name
1	Locking Indicator
2	Output Indicator
3	Pressure Unit
4	Main Display Section
5	▲ Button
6	Setting Button
7	▼ Button
8	Electric Interface
9	Pressure port

Specification

Model		WDPS-301 Compound	WDPS-310 Positive
Pressure Measure	Range of measure	-100 kPa~100 kPa	-0.100 MPa~1.000 MPa
	Setting range	-100 kPa~100 kPa	0.000 MPa~1.000 MPa
	Withstand pressure	500kPa	1.500MPa
	Pressure type	Non-flammable, non-corrosive gas, gauge pressure measurement	
	Measure accuracy	$\leq \pm 2\%F.S.$ (Ambient temperature 25°C)	
	Temperature error	$\leq \pm 3\%F.S.$ (Ambient temperature 50°C)	
	Measure pattern	Hysteresis mode Compare mode of upper and lower bounds Window mode	
Port size		External R1/8,NPT1/8,G1/8 option, internal thread M5	
Display	Brief description	LCD display, 4-digital measurement value, unit display, output status display	
	Status display	4-digital measurement value, unit display, output status display	
Input power	Voltage range	Adjustable backlight, 4 groups of display models	
	Power consumption	12~24VDC $\pm 10\%$	
Output signal	Transistor output	NPN open-collector output Output current : 80mA MAX Voltage drop : $\leq 1V$	PNP open-collector output Output current : 80mA MAX Voltage drop : $\leq 1V$
	Response time	Adjustable:2.5ms, 20ms, 100ms, 500ms, 1000ms, 2000ms	
	Short-circuit protection	Yes	
Environmental resistance	IP level	IP40	
	Ambient temperature	Operating temperature 0~50°C, storage temperature-20~60°C	
	Ambient humidity	Operating humidity 35~80%RH	
	Insulation voltage	1000VAC 1min	
	Insulation resistance	$\geq 50M\Omega$ (500VDC)	
	Shock	Max 100m/s ² , 3 times each in6 directions of X.Y and Z	
vibration	Amplitude 1.5mm. 10HZ~500HZ,2 hours each direction of X.Y and Z		

WINMAN WDPS-3 Serisi Dijital Basınç Şalteri / WDPS-3 Series Digital Pressure Switch

Ordering code

<p>Code: WPS-3 3:Series</p> <p>Range: 10: -100~1000kPa 01 : 100~100kPa 16 : 0~1600kPa</p> <p>Port: R : R1/8 (M5 thread) N : NPT1/8 (M5 thread) G : G1/8 (M5 thread)</p>	<p>Mounting: M: Panel N : Panel + shield Z : L Bracket S : S Bracket</p> <p>Output: X : NPN + PNP ①</p> <p>Explanation 1 : Product single-channel setting, optional NPN or PNP output channel, the black wire is NPN and the white wire is PNP.</p>	<p>WDPS — 310 R X — □</p>
---	---	---------------------------

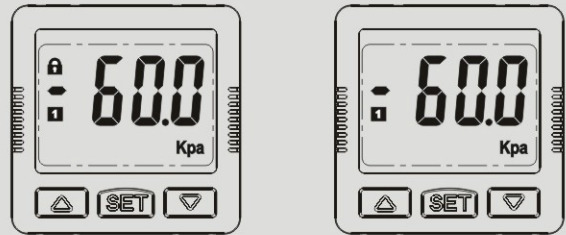
Quick Setting

● Zero point setting



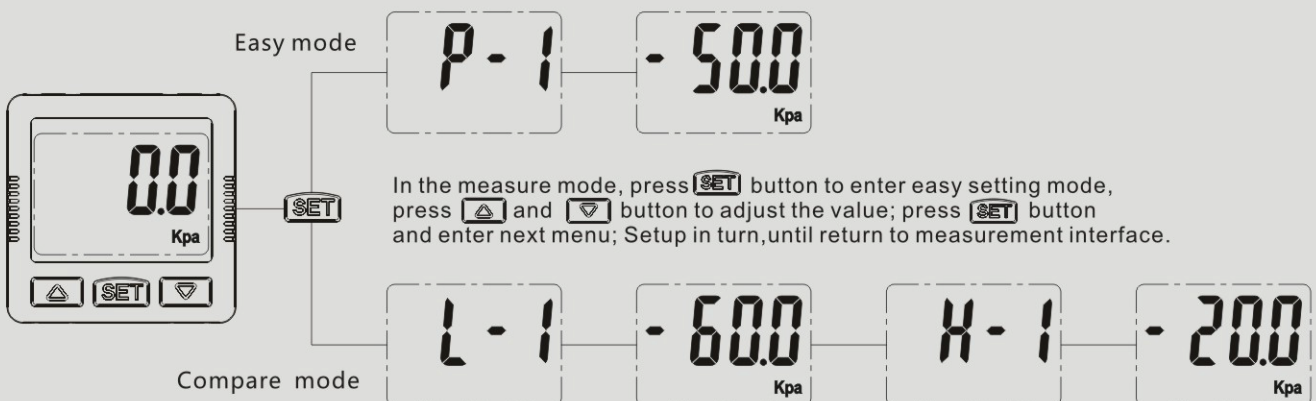
In the measure mode, press + button at the same time, until display "0", release the button;
PS: reset range: +/-10%F.S.

● Key lock and unlock



Lock: in the measure mode, press + + button at the same time until "LOCK ON" shown, release the buttons;
Unlock: in the measure mode, press + + button at the same time until "LOCK OFF" shown, release the buttons.

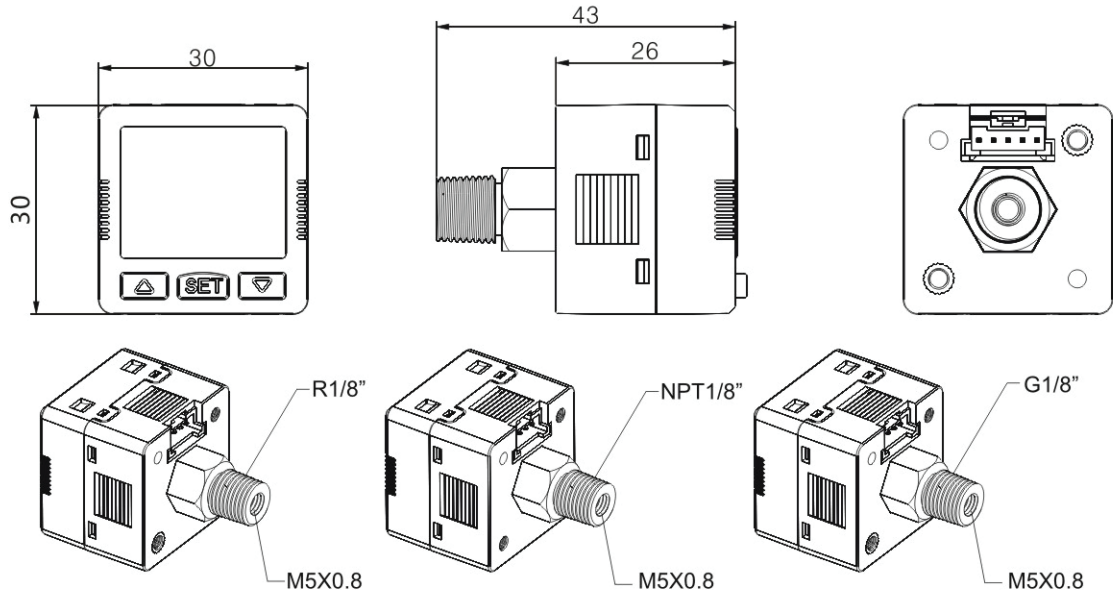
● Easy setting function



WINMAN WDPS 2/3 Serisi Dijital Basınç Şalteri / WDPS 2/3 Series Digital Pressure Switch

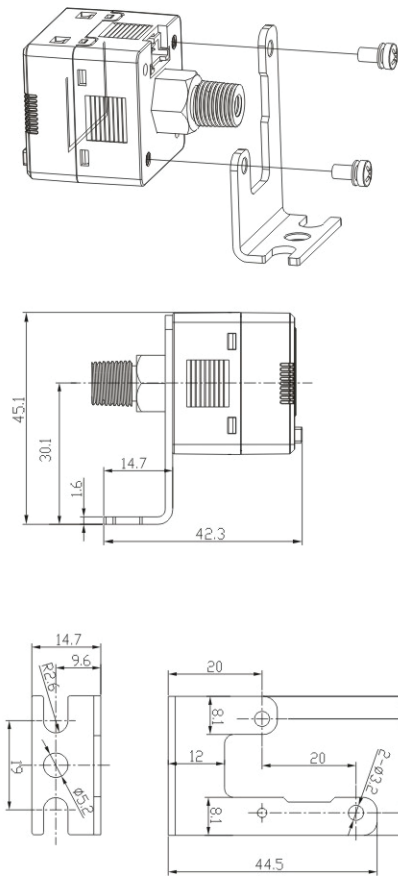
Mounting dimensions (mm)

Overall dimensions & connection port

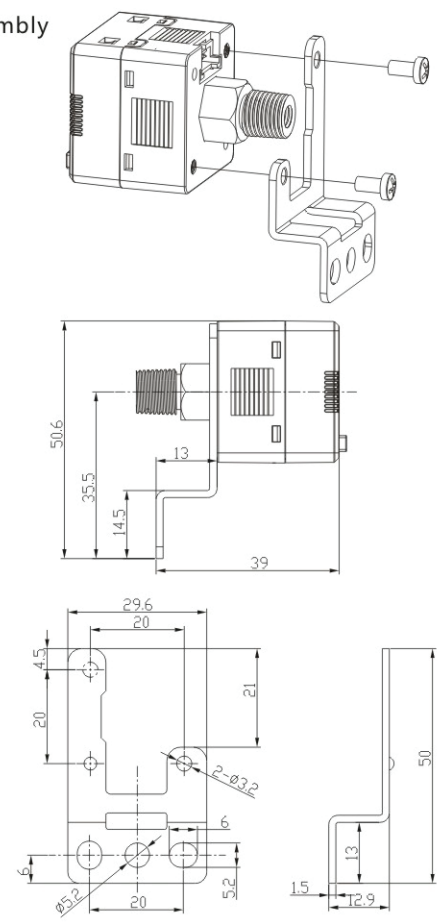


Mounting bracket

L bracket assembly



S bracket assembly

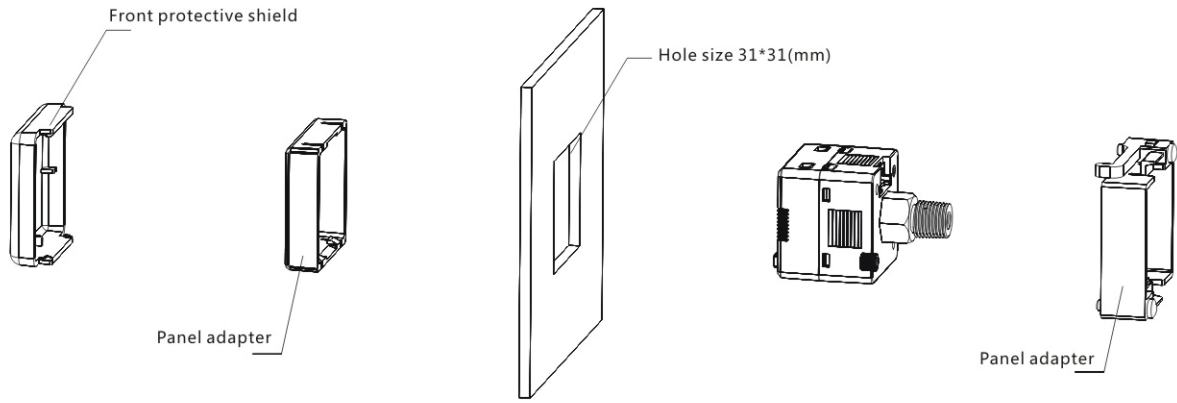


WINMAN WDPS 2/3 Serisi Dijital Basınç Şalteri / WDPS 2/3 Series Digital Pressure Switch

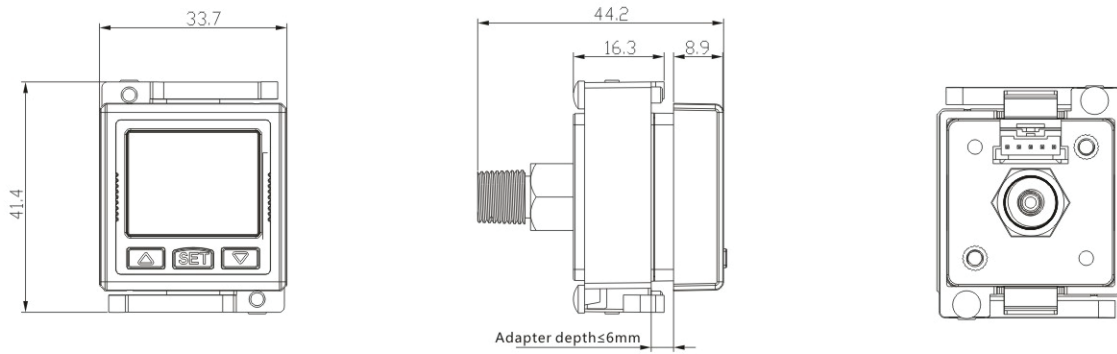
Mounting dimensions (mm)

Overall dimensions & connection port

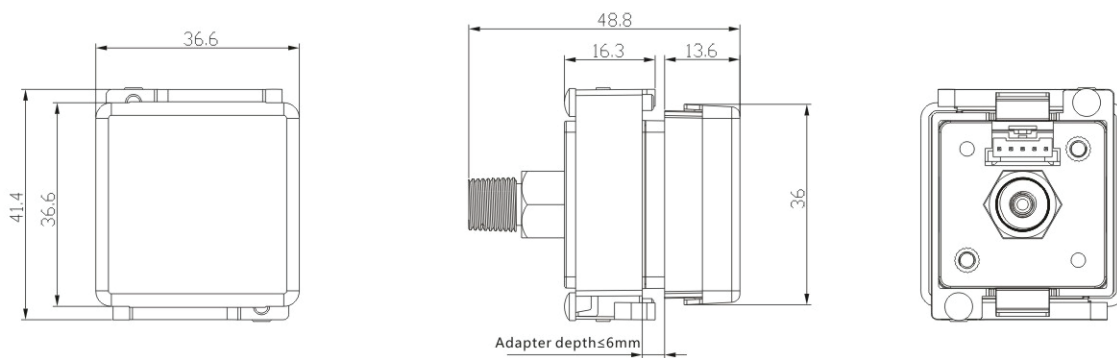
Panel bracket



Panel mount



Add Dust Cover Installation



Wire dimensions

