

Series VTEC 1200 ..

- Supply air pressure** : 4 ~ 6 bar, Max 7 bar
(58 ~ 87 psi, Max. 101.5 psi)
- Air consumption** : 3600 ~ 4920 NI/m
(127.13 ~ 173.74 scfm)
- Noise level** : 68 ~ 76 dBA
- Steel Material** : SUS 304 / SUS 316L
- Sealing Material** : Silicone
- Filter Material** :
 - TFE coated antistatic needle felt of polyester / carbon fibers
 - Washable 2 to 4 times in 40°C
 - Food quality
- Working temp.** : - 20°C ~ +80°C



Ordering information

VTEC 1200 - **AC B A**

① ② ③ ④ ⑤ ⑥

① Vacuum pump

- **1200** - Vacuum Pump with Free flow exhaust duct (Standard)
- 1200CP - Vacuum Pump with Concentration exhaust port

② Filtration Area

- No mark - Standard (120 dm²)
- **L** - Extra large (180 dm²)

③ Control Unit

- **AC** - Pneumatic control.
Adjustable running time / discharge time / delay period.
Available level detector control. (option, required electricity)
- AC2* - Pneumatic control.
Adjustable running time / discharge time.
- EC - Electric control.
Adjustable running time / discharge time.
Available level detector control.

* Can not available with 'Fluidization', section ④

④ Fluidization (Blowing)

- No mark - Not attached
- **B** - Attached

⑤ Injection valve*

- No mark - Not attached
- **A** - Attached

* 03

⑥ Bag filter (Filtering capacity)

- No mark - 5 μ
- 0.5m - 0.5 μ

Specification

Model	Power Requirement (Pr)	Filter Surface (dm ²)	Control	Fluidization	Injection Valve
VTEC 1200 - AC	30 ~ 60	120	Pneumatic	-	-
VTEC 1200 - AC B	30 ~ 60	120		Attached	-
VTEC 1200 - AC B A	30 ~ 60	120		Attached	Attached
VTEC 1200 - AC2	30 ~ 60	120		-	-
VTEC 1200 - AC2 A	30 ~ 60	120		-	Attached
VTEC 1200 - EC	30 ~ 60	120	Electric	-	-
VTEC 1200 - EC B	30 ~ 60	120		Attached	-
VTEC 1200 - EC A	30 ~ 60	120		-	Attached
VTEC 1200 - EC B A	30 ~ 60	120		Attached	Attached
VTEC 1200L - AC	30 ~ 60	180	Pneumatic	-	-
VTEC 1200L - AC B	30 ~ 60	180		Attached	-
VTEC 1200L - AC B A	30 ~ 60	180		Attached	Attached
VTEC 1200L - AC2	30 ~ 60	180		-	-
VTEC 1200L - AC2 A	30 ~ 60	180		-	Attached
VTEC 1200L - EC	30 ~ 60	180	Electric	-	-
VTEC 1200L - EC B	30 ~ 60	180		Attached	-
VTEC 1200L - EC A	30 ~ 60	180		-	Attached
VTEC 1200L - EC B A	30 ~ 60	180		Attached	Attached

Model	Max. Conveying capacity (ton)	Capacity ton/h at different conveying distance				Rec. Material pipe dimension (mm)	Rec. Material volume (l/cycle)	Weight (kg)
		5m	10m	20m	30m			
VTEC 1200 - AC	9	9	4.5	2.3	1.5	50 / 75 / 100	18	39.3
VTEC 1200 - AC B	9	9	4.5	2.3	1.5	50 / 75 / 100	18	39.8
VTEC 1200 - AC B A	9	9	4.5	2.3	1.5	50 / 75 / 100	18	39.8*
VTEC 1200 - AC2	9	9	4.5	2.3	1.5	50 / 75 / 100	18	39.1
VTEC 1200 - AC2 A	9	9	4.5	2.3	1.5	50 / 75 / 100	18	39.1*
VTEC 1200 - EC	9	9	4.5	2.3	1.5	50 / 75 / 100	18	43.3
VTEC 1200 - EC B	9	9	4.5	2.3	1.5	50 / 75 / 100	18	43.8
VTEC 1200 - EC A	9	9	4.5	2.3	1.5	50 / 75 / 100	18	43.3*
VTEC 1200 - EC B A	9	9	4.5	2.3	1.5	50 / 75 / 100	18	43.8*
VTEC 1200L - AC	9	9	4.5	2.3	1.5	50 / 75 / 100	18	49.2
VTEC 1200L - AC B	9	9	4.5	2.3	1.5	50 / 75 / 100	18	49.6
VTEC 1200L - AC B A	9	9	4.5	2.3	1.5	50 / 75 / 100	18	49.6*
VTEC 1200L - AC2	9	9	4.5	2.3	1.5	50 / 75 / 100	18	49
VTEC 1200L - AC2 A	9	9	4.5	2.3	1.5	50 / 75 / 100	18	49*
VTEC 1200L - EC	9	9	4.5	2.3	1.5	50 / 75 / 100	18	53.2
VTEC 1200L - EC B	9	9	4.5	2.3	1.5	50 / 75 / 100	18	53.6
VTEC 1200L - EC A	9	9	4.5	2.3	1.5	50 / 75 / 100	18	53.2*
VTEC 1200L - EC B A	9	9	4.5	2.3	1.5	50 / 75 / 100	18	53.6*

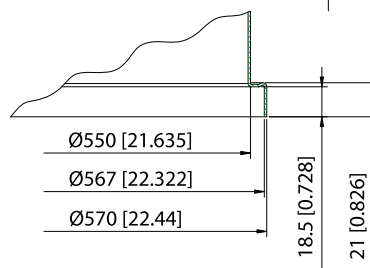
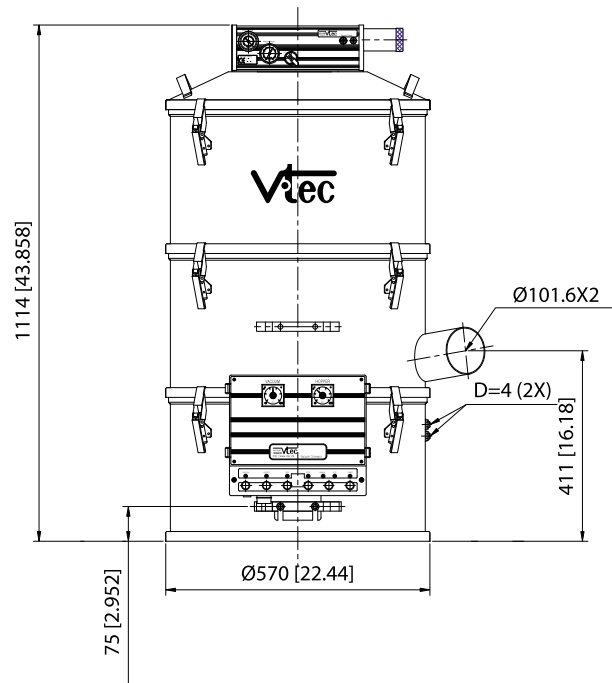
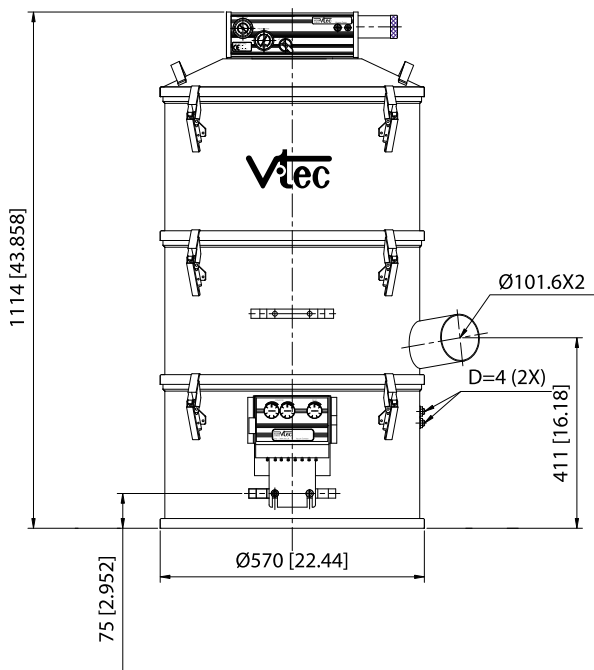
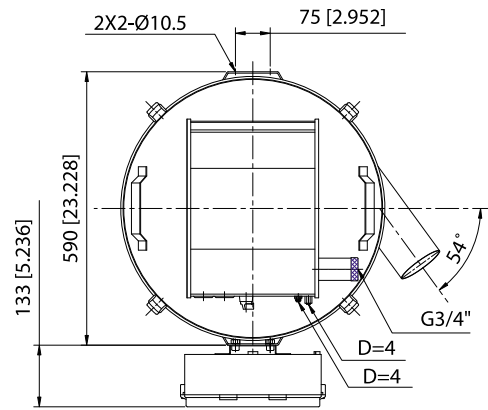
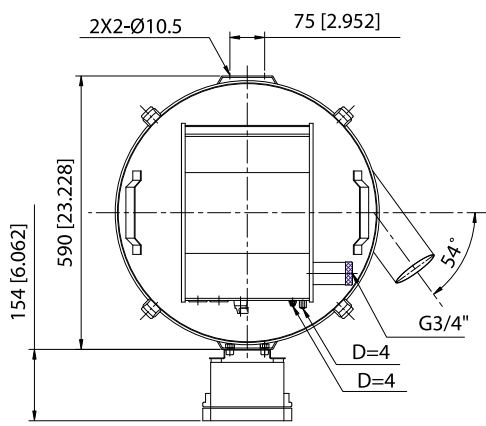
* Not considered 'Injection valve module' weight

Dimension information

Series VTEC 600L .. / VTEC 800L .. VTEC 1000 .. / VTEC 1200 ..

VTEC 600L AC ..
VTEC 800L AC ..
VTEC 1000 AC ..
VTEC 1200 AC ..

VTEC 600L EC ..
VTEC 800L EC ..
VTEC 1000 EC ..
VTEC 1200 EC ..



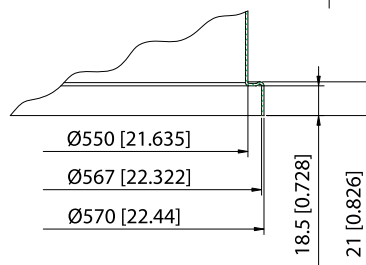
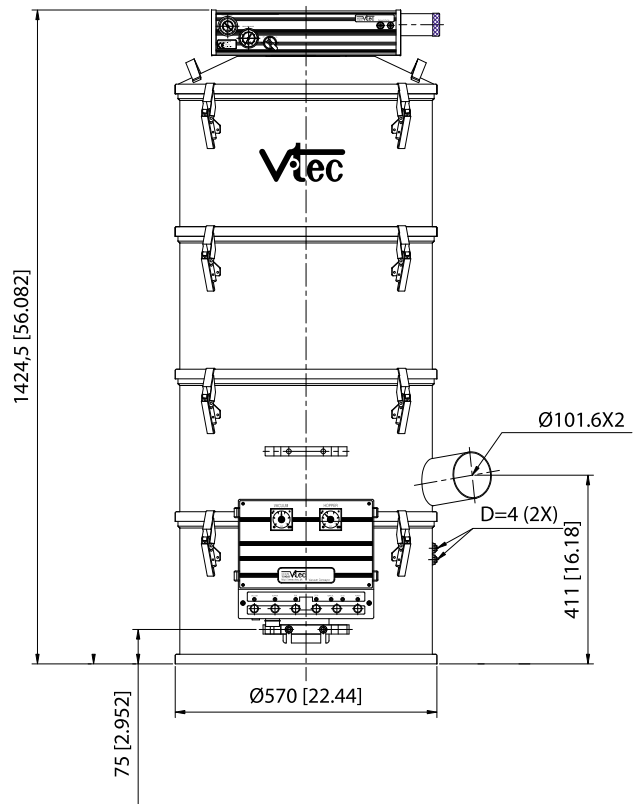
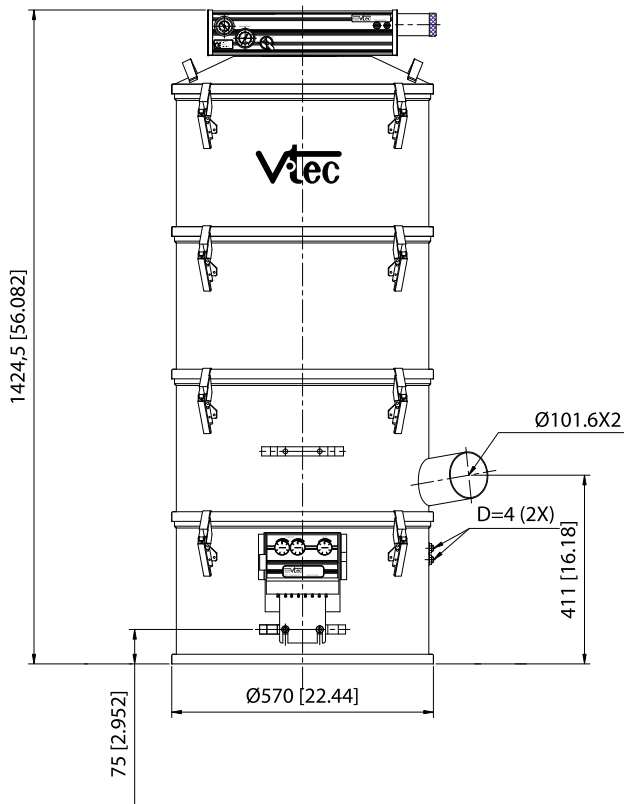
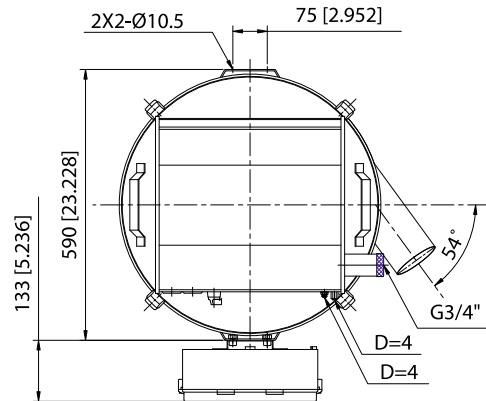
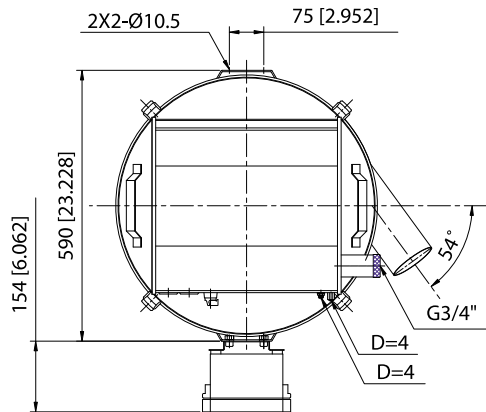
Measure Unit : mm [inch]

Dimension information

Series VTEC 1000L .. VTEC 1200L ..

VTEC 1000L AC ..
VTEC 1200L AC ..

VTEC 1000L EC ..
VTEC 1200L EC ..



Measure Unit : mm [inch]