

VS Series (Sponge)

Features and Strengths

Used for handling rough and uneven surfaces and when used with ball joint option and level compensator option can accommodate very unlevel and uneven surfaces.



Suitable for Handling

- Marble
- Paving Slabs
- Bricks
- Rough Wood
- Masonry



Order No.

VS60 **E** **F** **- 18F** **BV** **- L1820T** **BJ 18**

① ② ③ ④ ⑤ ⑥ ⑦

► See pages 60-67.

① Diameter

VS30X80 - Ø30X80
VS35 - Ø35
• VS60 - Ø60
VS100 - Ø100
VS150 - Ø150
VS200 - Ø200
VS300 - Ø300
VS400 - Ø400

② Material

- **E** - EPDM

③ Adjustable support (Handling for thin Film)

- | |
|--|
| no mark - standard |
| • F - with adjustable* support (See page : 17) (VS35, VS60, VS100, VS150) |

* Not available with BV (Button valve)option

④ Thread size

- **18F** - G1/8" female (VS35, VS60)
- 12F - G1/2" female (VS30X80, VS100, VS150, VS200)
- 34F - G3/4" female (VS200, VS300, VS400)

⑤ Valves

- | |
|---|
| no mark - standard |
| • BV - Button valve (See page : 16page) (VS35, VS60, VS100, VS150) |

Accessories order No.

L 1820T **BJ 18**

⑥ ⑦

⑥ Level Compensator		⑦ Ball joint model
Model	Stroke (mm)	
L1805M	5	• BJ 18
L1810T, L1810TS, L1810TSE	10	
L1815T, L1815	15	
• L1820T, L1820TS	20	
L1820TN*	20	
L1830, L1830T, L1830TS	30	
L1850, L1850T	50	
L1230, L1230T	30	BJ 12
L1250, L1250T	50	

*Not available with ball joint(BJ)

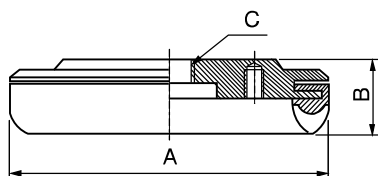
Recommended (max.) lifting forces

Model	Volume (cm ³)	Lifting Force (kg) – Perpendicular		
		-20 kPa	-60 kPa	-90 kPa
VS 30X80	43	2.7	9.1	14
VS35	6	2.04	5.1	7.14
VS60	20	6.12	15.3	22.44
VS100	55	18.36	45.9	67.34
VS150	125	38	97	138
VS200	543	76.53	193.87	275.51
VS300	1285	163.26	438.77	653.06
VS400	2285	326	876	1300

Dimensional Information

Female thread

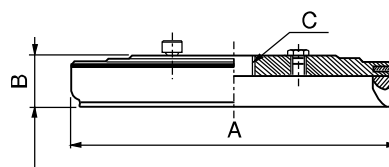
VS35, 60, 100, 150



[mm]

Model	A	B	C
VS35	42,5	15,5	G1/8"
VS60	67,5	15,5	G1/8"
VS100	107,5	19,5	G1/2"
VS150	157,5	19,5	G1/2"

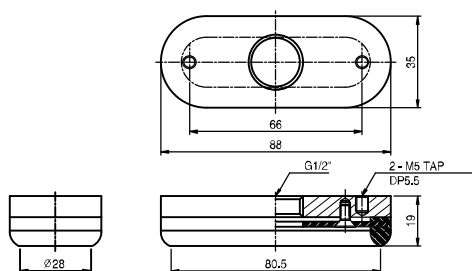
VS200, 300, 400



[mm]

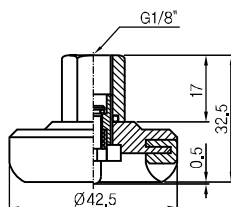
Model	A	B	C
VS200	215	34	G1/2", G3/4"
VS300	315	34	G3/4"
VS400	415	34	G3/4"

VS 30X80

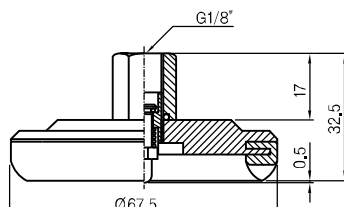


Button valve dimensional Information

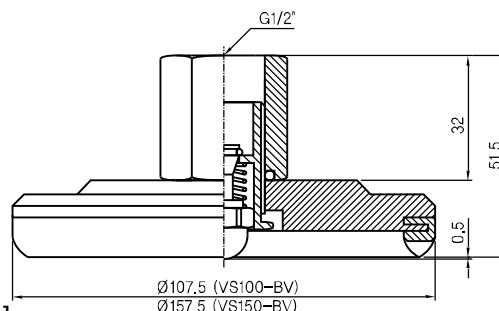
VS35-BV



VS60-BV



VS100-BV, VS150-BV



[Measure unit : mm]