

VQ202 / VQ203

Features and Strengths

- Highly operational reliability despite fluctuating or low compressed-air pressure
- Auto quick release
- Quick response time
- Compact size and light weight



Specifications

Description	VQ202	VQ203
Max. Vacuum level	-90 kPa	-90 kPa
Open Vacuum flow	NI/min	NI/min
Max. Feed pressure	7 bar	7 bar
Temperature	-20 ~ 80 °C	-20 ~ 80 °C
Noise level	59 ~ 68 dbA	55 ~ 65 dbA

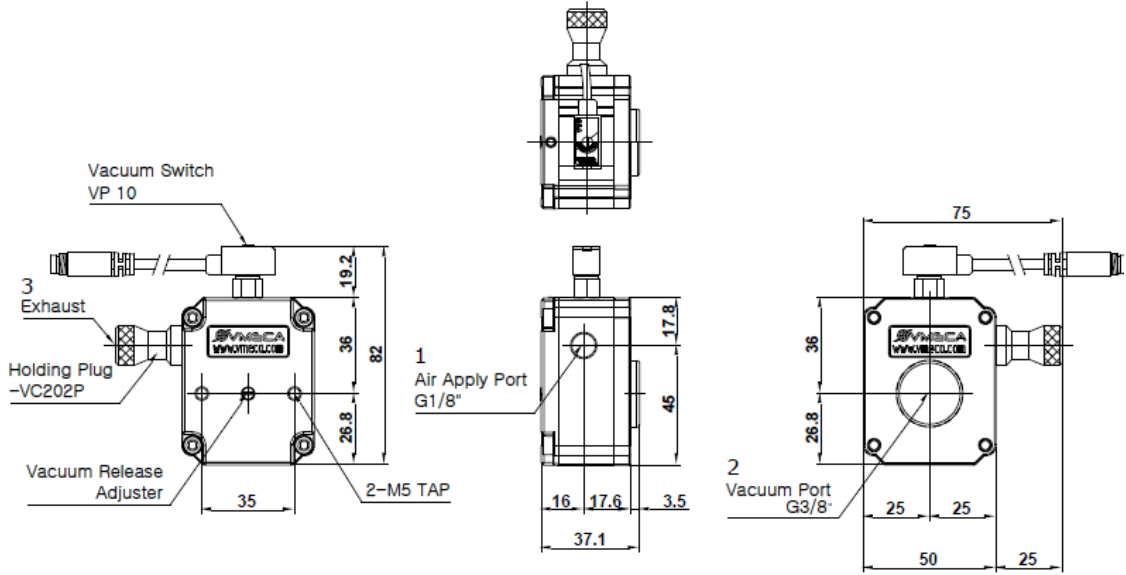
Vacuum Flow

Model	Max. vacuum (-kPa)	Feed Pressure (bar)	Vacuum flow (NI/min) at different vacuum levels (-kPa)										
			0	10	20	30	40	50	60	70	80	90	
VQ202	48	1.7	38.5	20	16	12	5.3	-	-	-	-	-	
	65	2.2	39	26.5	17.3	15.6	13.5	8.4	2.6	-	-	-	
	91	3.14	44	36	24.5	16.5	16	13.8	10	7	3.5	-	
	89	4.0	42	38.8	28.5	21.2	15.8	12.2	9.5	7	2.4	-	
VQ203	49	1.7	55	23.2	15.5	12.6	6.1	-	-	-	-	-	
	65	2.2	68	31	16.5	15.5	13.8	9	3.5	-	-	-	
	93	3.14	84	37.5	26	16	15.2	12.3	10	7.2	4	-	
	91	4.0	84.5	40	33.2	22.6	15.8	12	9.2	7.3	2.9	-	

Evacuation Time

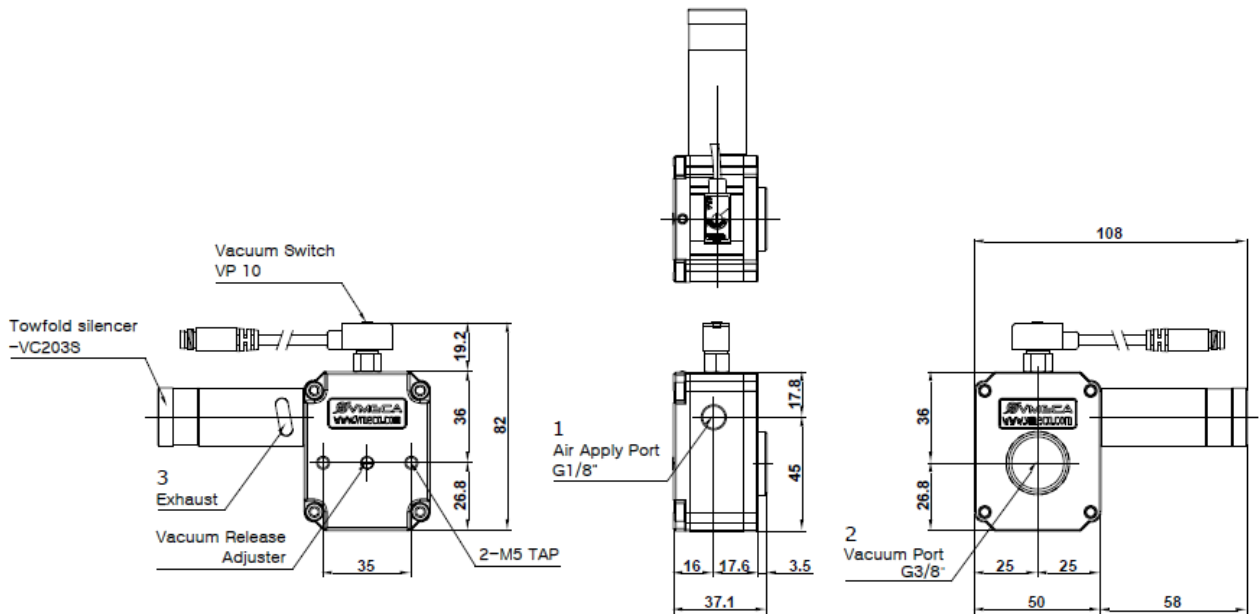
Model	Feed Pressure (bar)	Air Consumption (NI/min)	Evacuation time in sec / liter to reach different vacuum levels (-kPa)									
			10	20	30	40	50	60	70	80	90	
VQ202	1.7	22	0.33	0.47	0.89	1.93	-	-	-	-	-	
	2.2	25.5	0.20	0.47	0.70	0.92	1.24	1.35	-	-	-	
	3.14	34	0.15	0.39	0.95	1.03	1.28	1.32	2.12	3.54	-	
	4.0	40.5	0.15	0.42	0.56	0.80	0.99	1.21	1.46	3.74	-	
VQ203	1.7	21	0.13	0.40	0.79	1.57	-	-	-	-	-	
	2.2	24.5	0.08	0.39	0.59	0.85	0.96	1.10	-	-	-	
	3.14	33	0.06	0.28	0.51	1.01	1.18	1.29	1.73	3.00	-	
	4.0	40	0.08	0.24	0.50	0.71	0.85	1.18	1.41	3.05	-	

Dimensions – VQ202P with switch



[Unit : mm]

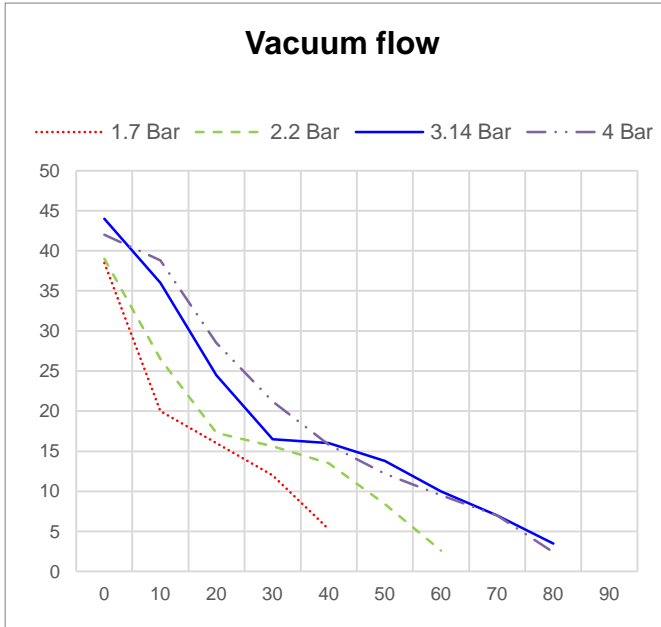
Dimensions – VQ203S with switch



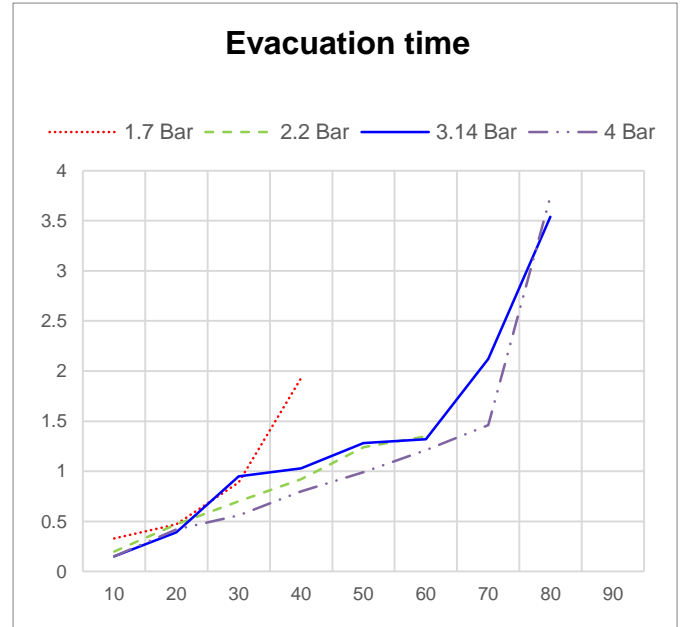
[Unit : mm]

Performance data

VQ202

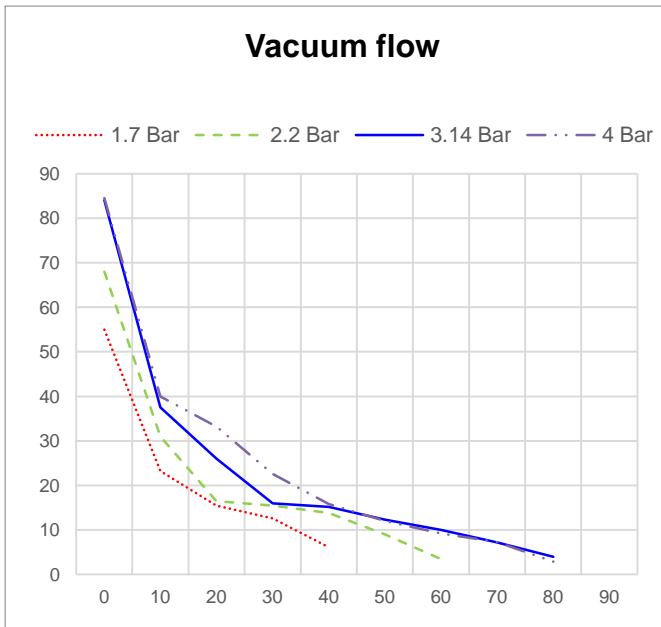


※ Vacuum flow at different vacuum level

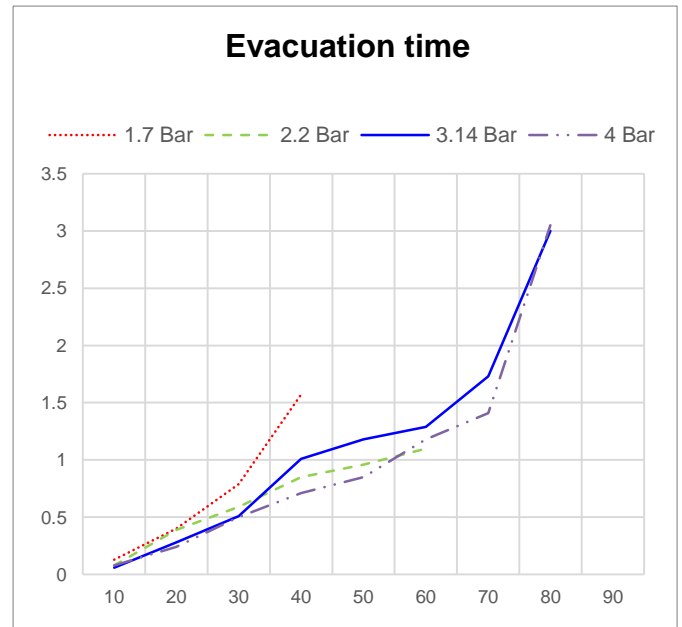


※ Time to evacuate a volume at different vacuum level

VQ203

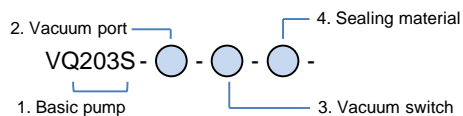


※ Vacuum flow at different vacuum level



※ Time to evacuate a volume at different vacuum level

Build an Ordering No.



1. Basic pump	Description	Ordering No.
	VQ pump, 2-stage cartridge, Plug	VQ202P
	VQ pump, 3-stage cartridge, Two-fold silencer	VQ203S
2. Vacuum port	Description	Ordering No.
	Vacuum port, G3/8" female	38F
3. Vacuum switch	Description	Ordering No.
	No vacuum switch	Blank
	LED switch, No analog supply, M8-3pins, NPN	S
	LED switch, No analog supply, M8-3pins, PNP	SP
	LED switch, No analog supply, Grommet, NPN	SG
	LED switch, No analog supply, Grommet, PNP	SGP
	Digital switch, No analog supply, M8-4pins, NPN	S2
	Digital switch, No analog supply, M8-4pins, PNP	S2P
	Digital switch, No analog supply, Grommet, NPN	SG2
	Digital switch, No analog supply, Grommet, PNP	SG2P
	Digital switch, Analog supply, Grommet, NPN	SG3
	Digital switch, Analog supply, Grommet, PNP	SG3P
4. Sealing material	Description	Ordering No.
	NBR	Blank
	VITON	V
	EPDM	E

Spare Parts – Basic pumps

Model	Description
VQ202P-38F	VQ pump, 2-stage cartridge, Plug, Vacuum port G3/8" female
VQ203S-38F	VQ pump, 3-stage cartridge, Two-fold silencer, Vacuum port G3/8" female

Spare Parts – Cartridges

Model	Description	Available model
VC202	Mini Vacuum Cartridge, 2-Stage	VQ202P-38F
VC203	Mini Vacuum Cartridge, 3-Stage	VQ203S-38F

Spare Parts – Plug & Silencer

Model	Description
	Holding plug for VQ202P-38F
	Two-Fold Silencer for VQ203S-38F