

## VCS102

### Features and Strengths

- Built in level compensator in one body
- Highly operational reliability despite fluctuating or low compressed-air pressure
- Quick response time
- Compact size and light weight



### Specifications

Description	VCS102
Max. Vacuum level	-85 kPa
Open Vacuum flow	14.2 NI/min
Max. Feed pressure	6 bar
Temperature	-20 ~ 80 °C
Noise level	

### Vacuum Flow

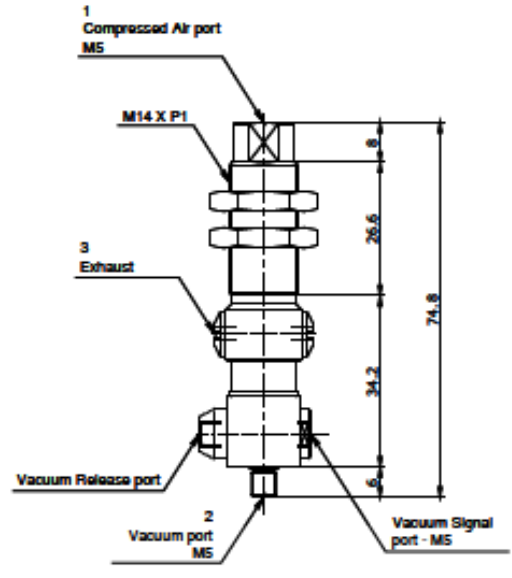
Model	Max. vacuum (-kPa)	Feed Pressure (bar)	Vacuum flow (NI/min) at different vacuum levels (-kPa)									
			0	10	20	30	40	50	60	70	80	90
VCS102	50	1.1	11.5	6.3	2.2	1.6	0.7	-	-	-	-	-
	85	1.8	14.2	9.4	3.3	2.2	2.0	1.4	0.8	0.4	0.18	-
	83	2.2	16.5	11.9	5.1	2.3	1.4	1.3	0.9	0.3	0.12	-

### Evacuation Time

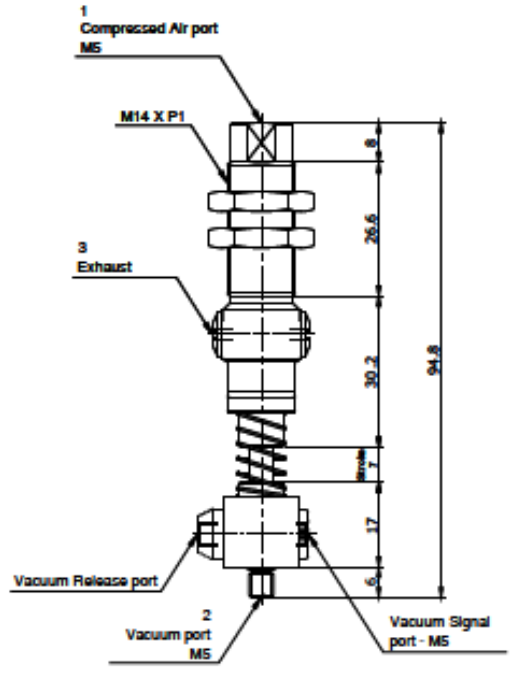
Model	Feed Pressure (bar)	Air Consumption (NI/min)	Evacuation time in sec / liter to reach different vacuum levels (-kPa)								
			10	20	30	40	50	60	70	80	90
VCS102	1.1	5.9	0.68	3.0	6.1	11.8	27.2	-	-	-	-
	1.8	8.2	0.4	1.48	4.3	6.9	9.1	15.3	27.4	50.2	-
	2.2	10.0	0.34	1.6	3.9	7.0	10.4	17.5	30.9	61.4	-

## Dimensions – VCS102 series

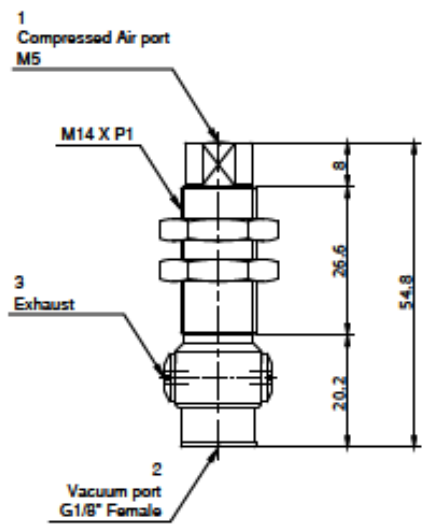
### ▼ VCS102-LM5 VCS102C-LM5



### ▼ VCS102-LM5 07 VCS102C-LM5 07

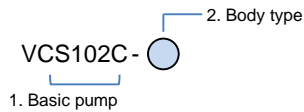


### ▼ VCS102-L18F



[ Unit : mm ]

## Build an Ordering No.



1. Basic pump	Description	Ordering No.
	Vacuum speeder VCS102 series, 2-stage cartridge, No release check valve	<a href="#">VCS102</a>
	Vacuum speeder VCS102 series, 2-stage cartridge, Release check valve	<a href="#">VCS102C</a>
2. Body type	Description	Ordering No.
	Port size M5 male	<a href="#">LM5</a>
	Port size M5 male, Level compensator 7mm	<a href="#">LM507</a>
	Port size G1/8" female: <a href="#">Only available with VCS102</a>	<a href="#">L18F</a>

## Spare Parts – Basic pumps

Model	Description
VCS102-LM5	Vacuum speeder VCS102 series, 2-stage cartridge, No release check valve, Port size M5 male
VCS102-LM507	Vacuum speeder VCS102 series, 2-stage cartridge, No release check valve, Port size M5 male, Level compensator 7mm
VCS102-L18F	Vacuum speeder VCS102 series, 2-stage cartridge, No release check valve, Port size G1/8" female
VCS102C-LM5	Vacuum speeder VCS102 series, 2-stage cartridge, Release check valve, Port size M5 male
VCS102C-LM507	Vacuum speeder VCS102 series, 2-stage cartridge, Release check valve, Port size M5 male, Level compensator 7mm

## Spare Parts – Cartridges

Model	Description
VC102	Micro vacuum cartridge, 2-Stage