

THB Ana Hat Filtresi / Main Line Filter
Ana Hat Filtresi İç Yapısı / Main Line Filter Internal Structure


FLMA76



FR-FLM76



FLM76



LM76



FM76



Desiccant

Özellik / Feature

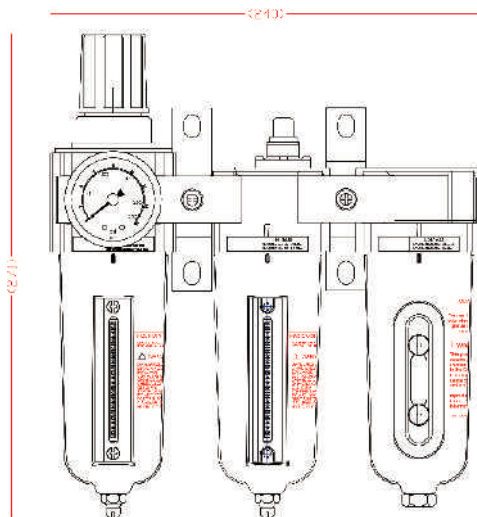
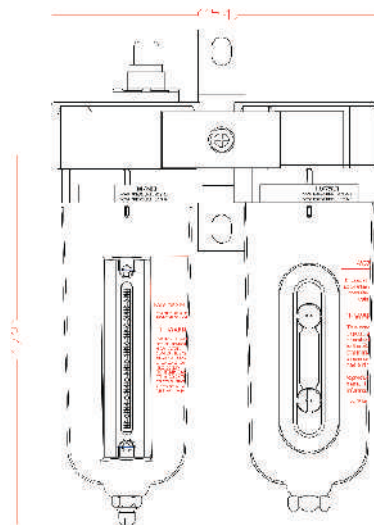
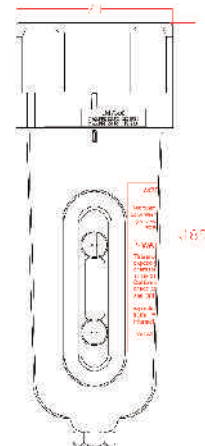
- 1.5 μ filter element:
Remove oil, condensed water and particles >5 μ .
- 2.0.01filter element:
Remove 99.99% particles and oil>0.01 μ .
- 3.Active charcoal filter element:
Absorb oil of vapors and harmful gases.
- 4.Desiccant beads change color from blue to pink when they need to be changed or reactivated.

Uygulama /Application

FM Type: Paint Spray Gun, Control systems, Sandblast, Fluids, Air condition systems.
FA Type: Packing Industry, Food & Beverage Industry, Pressure Chambers, Medicinal & Dental Technology.


THB Ana Hat Filtresi / Main Line Filter
Özellikler / Specification

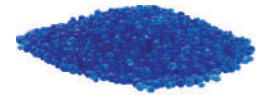
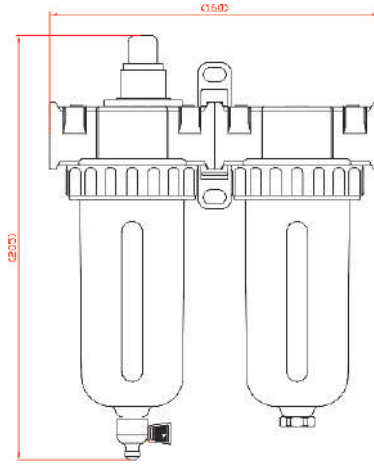
Description Part No.	FR-FLM764	FM764A	F764A	F764	FA764	FM764	LM764
	FR-FLM766	FM766A	F766A	F766	FA766	FM766	LM766
Medium	Air						
Port (PT.NPT.G)	1/2" , 3/4"						
Filter Element	0.01μ		5μ		0.01μ		
Proof Serice Pressure	174 PSI (12 Bar / 1.2 MPa)			225 PSI (15.5 Bar / 1.55 MPa)			
Operation Temperature Range	5~60 °C (41~140 °F)						
More Options							
Filter+Oil Filter(F76+FM76)	FFM764		FFM766				
Filter+Oil Filter+Active Carbon (F76+FM76+FA76)	FRLMA764		FLMA764		FLMA766		
Oil Filter + Desiccant Dryer (FM76+LM76)	FLM764		FLM766				
Filter+Oil Filter+Desiccant Dryer (F76+FM76+LM76)	FR-FLM764		FR-FLM766		FFLM764		FFLM766
Meet the International Norms	ISO 8573-1						

FR-FLM76

FLM76

LM76




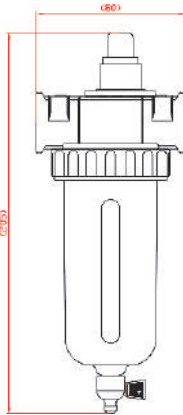
Birleştirici Filtre / Kurutucu Kurutucu / Coalescing Filter / Desiccant Dryer

Birleştirici Filtre / Kurutucu Kurutucu / Coalescing Filter Desiccant Dryer 

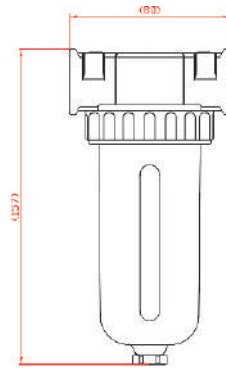


Desiccant

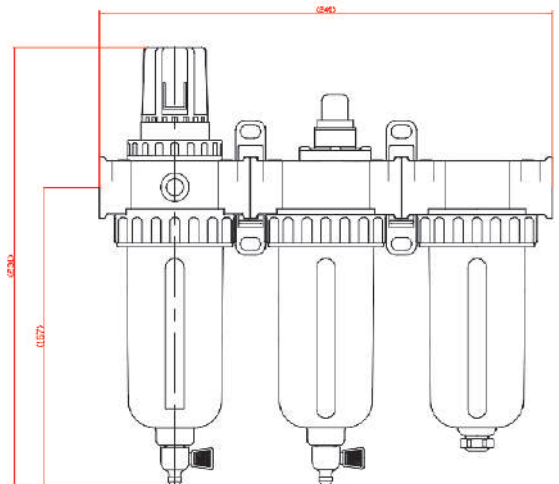
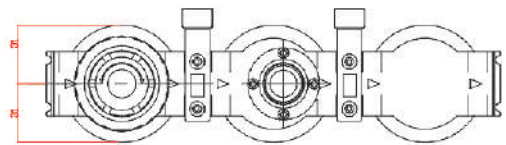
F-LM86



FM86



LM86



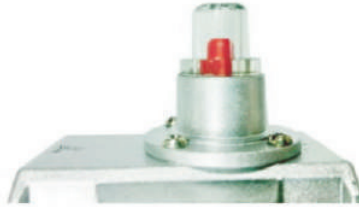
FR-FLM863

THB Ana Hat Filtresi / Main Line Filter
Özellikler / Specification

Part No.		FLM863	FM863	LM863	FR-FLM863
Description			Air		
Medium			Air		
Port Size(PT.NPT)			3/8"		
Filter Element			0.01 μ		5 μ -0.01 μ
Proof Service Pressure	Psi		150		250
	Mpa		1		2.4
Max Flow(L/min)			300		
Operation Temperature Range			5 ~ 60 °C		
Drain Capacity			80ml		

Özellik / Feature

1.The Red Service Indicator will rise when filter element needs to be changed.



Manual Drain Valve Semi-Auto Drain Valve

- 2.Desiccant beads change color from blue to pink when they need to be changed or reactivated.
3. 0.01 μ filter element removes 99.9% of oil vapor particles.
- 4.Clear bowl with metal guards provides easy viewing for contents as well as providing impact protection.
- 5.Quick release bowl for easy maintenance
- 6.An additional filter after desiccant beads to ensure clean downstream air.

Fonksiyon / Function

- 1.Coalescing filter removes oil vapors, which can get past standard filters and water separators.
- 2.Desiccant dryer reduces humidity in compressed air lines, a MUST HAVE for paint spraying operations.

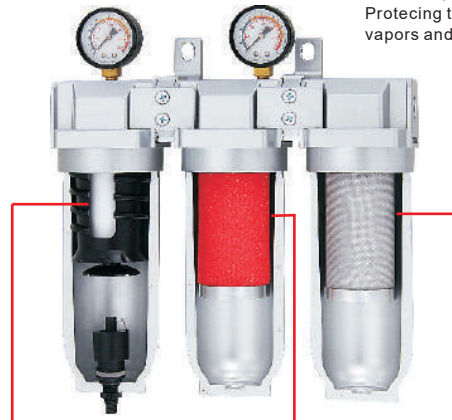
Uygulama /Application

- 1.Paint Spray Gun (gravity, siphon, and pressure feed styles)
- 2.Air measuring instruments (requiring clean, dry air)

Öneri / Recommendation

- 1.It is recommended to install a standard air filter/water separator in front of the air cleaner / dryer to remove larger debris (>5 μ) and condensed water.
- 2.It is also recommended to have a shutoff valve upstream of the air cleaner / dryer for easy depressurization for service.

THB Ana Hat Filtresi / Main Line Filter
Ana Hat Filtresi İç Yapısı / Main Line Filter Internal Structure

FLMA96
FLMA96+GAUGE

Activated-Charcoal-Filter FA96

For absorption of oil vapors.
Protecting the painter from the harmful vapors and gases.

Pre-Filter F 96

The first filter stage separates particle $>5\mu$ condensed water and oil
The inside filter element of PE material separates the particles large than 5μ
Centrifugal force from Cyclone type filter removes water, oil and impurities.

Micro-Filter FM96

The second filter stage separates smallest particle $>0.01\mu$
efficiency to 99.998%


FR-FLM96

FLM96

LM96

FM96

Desiccant
Özellik / Feature

1. 1.5μ filter element:
Remove oil, condensed water and particles $>5\mu$.
2. 0.01μ filter element:
Remove 99.99% particles and oil $>0.01\mu$.
3. Active charcoal filter element:
Absorb oil of vapors and harmful gases.
4. Desiccant beads change color from blue to pink when they need to be changed or reactivated.

Uygulama / Application

FM Type: Paint Spray Gun, Control systems, Sandblast, Fluids, Air condition systems.
FA Type: Packing Industry, Food & Beverage Industry, Pressure Chambers, Medicinal & Dental Technology.

THB Ana Hat Filtresi / Main Line Filter
Özellikler / Specification

Description	FR-FLM964	FM964A	F964A	F964	FA964	FM964	LM964
	FR-FLM966	FM966A	F966A	F966	FA966	FM966	LM966
	FR-FLM968	FM968A	F968A	F968	FA968	FM968	LM968
Part No.							
Medium	Air						
Port (PT.NPT.G)	1/2" , 3/4" , 1"						
Filter Element	0.01μ		5 μ		0.01μ		
Proof Serice Pressure	174 PSI (12 Bar / 1.2 MPa)			225 PSI (15.5 Bar / 1.55 MPa)			
Operation Temperature Range	5~60 °C (41~140 °F)						
More Options							
Filter+Oil Filter(F96+FM96)	FFM964		FFM966		FFM968		
Filter+Oil Filter+Active Carbon (F96+FM96+FA96)	FRLMA964		FLMA964		FLMA966 FLMA968		
Oil Filter + Desiccant Dryer (FM76+LM76)	FLM964		FLM966		FLM968		
Filter+Oil Filter+Desiccant Dryer (F96+FM96+LM96)	FR-FLM964	FR-FLM966	FR-FLM968	FFLM964	FFLM966	FFLM968	
Meet the International Norms	ISO 8573-1						

