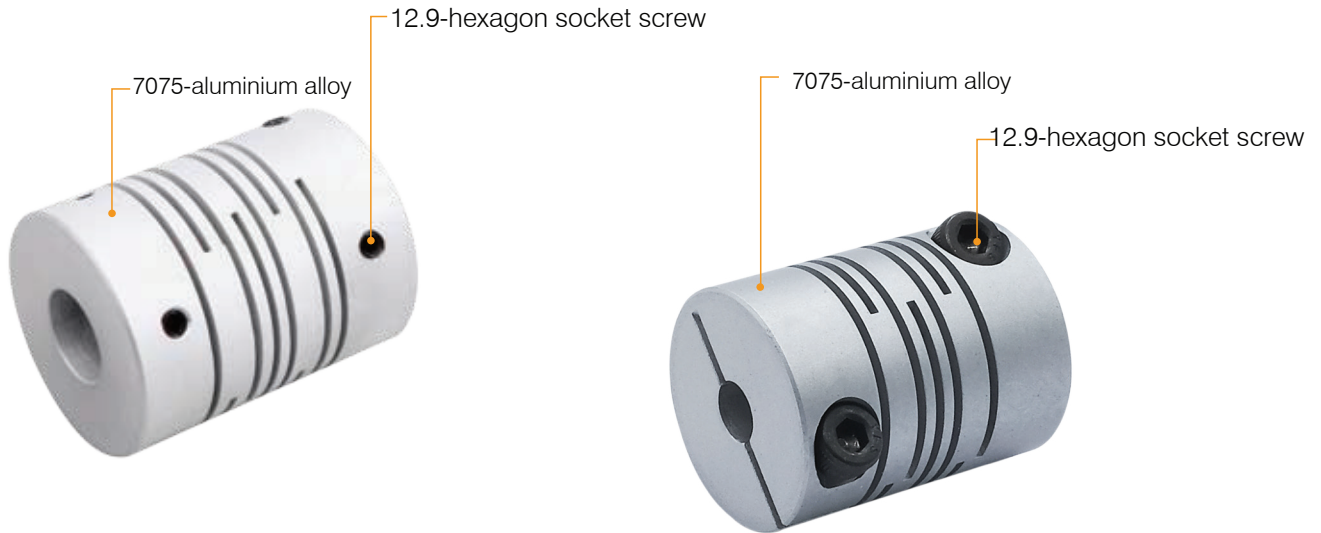


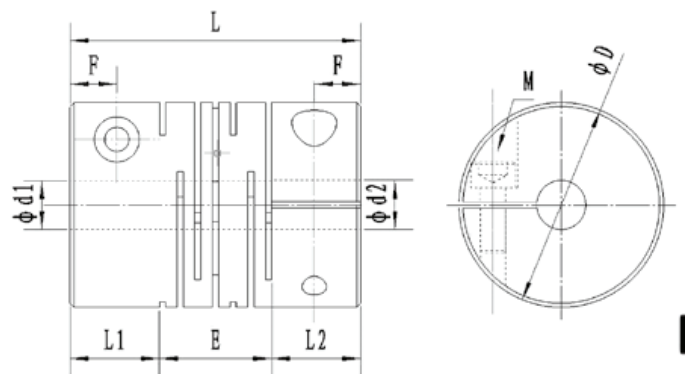
Radial Beam Flexible Coupling

Structure chart:



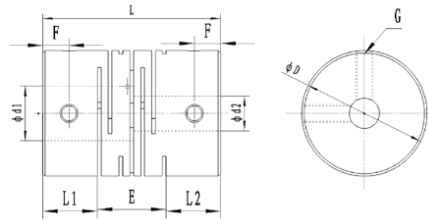
Characteristic :

- ⊙ Zero Rotary clearance
- ⊙ One of the design without loss of torque
- ⊙ Radial, axial, angular deviation compensation performance
- ⊙ Excellent torque rigidity and sensitivity



Radial Beam Flexible Coupling

Structure chart:



Dimension : (mm)

Model	Aperture				D	L	L1/L2	E	F	G	M	Tightening torque (N.M)
	d1		d2									
	MIN	MAX	MIN	MAX								
WJT16	4	8	4	8	16	23	6.5	10	3	M3	-	0.7
WJT16C	5	8	5	8						-	M2.5	1
WJT20	4	10	4	10	20	26	7.5	11	3	M3	-	0.7
WJT20C	5	10	5	10						-	M2.5	1
WJT25	4	12	4	12	25	31	8.5	14	4	M4	-	1.7
WJT25C	5	12	5	12						-	M3	1.5
WJT32	5	16	5	16	32	41	12	17	6	M4	-	1.7
WJT32C	6	16	6	16						-	M4	2.5
WJT40	8	20	8	20	40	56	17	22	8.5	M5	-	4
WJT40C	8	20	8	20						-	M5	4
WJT50	10	25	10	25	50	71	21	29	10.5	M6	-	7
WJT50C	10	25	10	25						-	M6	8
WJT63	14	35	14	35	63	90	26	38	13	M8	-	15
WJT63C	14	35	14	35						-	M8	16

Specification : (mm)

Model	Rated torque (N.m)	Max torque (N.m)	Allowable speed (min ⁻¹)	Torsional stiffness (N.m/rad)	Moment of inertia (10 ⁻⁶ kgm ²)	Axial (mm)	lateral (mm)	Angular (°)	net weight (g)
WJT16	0.5	1	24000	80	0.33	±0.4	0.10	2	8.1
WJT16C					0.34			2	9.2
WJT20	1	2	20000	170	0.90	±0.4	0.10	2	14
WJT20C					0.91			2	19
WJT25	2	4	15000	380	2.60	±0.5	0.15	2	27
WJT25C					2.60			2	37
WJT32	4	8	12000	500	9.60	±0.5	0.15	2	60
WJT32C					9.7			2	75
WJT40	8	16	9500	700	32	±0.5	0.20	2	130
WJT40C					33			2	145
WJT50	16	32	7000	1800	100	±0.5	0.20	2	260
WJT50C					100			2	300
WJT63	32	64	6000	3100	320	±0.5	0.20	2	490
WJT63C					320			2	580

Example

WJT	20	C	6	8
Model	Outside diameter	Fixed mode	Aperture	Aperture

Radial Beam Flexible Coupling

Optional stainless steel HUB



Dimension : (mm)

Model	Aperture				D	L	L1/L2	E	F	G	M	Tightening torque (N.M)
	d1		d2									
	MIN	MAX	MIN	MAX								
WJTS16	4	8	4	8	16	23	6.5	10	3	M3	-	0.7
WJTS16C	5	8	5	8						-	M2.5	1
WJTS20	4	10	4	10	20	26	7.5	11	3	M3	-	0.7
WJTS20C	5	10	5	10						-	M2.5	1
WJTS25	4	12	4	12	25	31	8.5	14	4	M4	-	1.7
WJTS25C	5	12	5	12						-	M3	1.5
WJTS32	5	16	5	16	32	41	12	17	6	M4	-	1.7
WJTS32C	6	16	6	16						-	M4	2.5
WJTS40	8	20	8	20	40	56	17	22	8.5	M5	-	4
WJTS40C	8	20	8	20						-	M5	4
WJTS50	10	25	10	25	50	71	21	29	10.5	M6	-	7
WJTS50C	10	25	10	25						-	M6	8
WJTS63	14	35	14	35	63	90	26	38	13	M8	-	15
WJTS63C	14	35	14	35						-	M8	16

WJTS	25	C	8	10
Model	Outside diameter	Fixed mode	Aperture	Aperture

Radial Beam Flexible Coupling

Optional stainless steel HUB

Specification : (mm)

model	Rated torque (N.m)	Max torque (N.m)	Allowable speed (min ⁻¹)	Torsional stiffness (N.m/rad)	Moment of inertia (10 ⁻⁶ kgm ²)	Axial (mm)	lateral (mm)	Angular (°)	net weight (g)
WJTS16	1.5	3	24000	85	0.84	±0.3	0.10	2	21
WJTS16C					0.90				25
WJTS20	2.5	5	20000	260	2.40	±0.3	0.10	2	38
WJTS20C					2.50				43
WJTS25	4	8	15000	450	6.80	±0.4	0.15	2	71
WJTS25C					7.10				78
WJTS32	6.3	12.6	12000	850	26.00	±0.5	0.15	2	160
WJTS32C					27				175
WJTS40	15	30	9500	1000	87	±0.5	0.20	2	350
WJTS40C					90				370
WJTS50	28	56	7000	2400	240	±0.5	0.20	2	700
WJTS50C					280				750
WJTS63	56	112	6000	4800	840	±0.5	0.20	2	1300
WJTS63C					880				1400