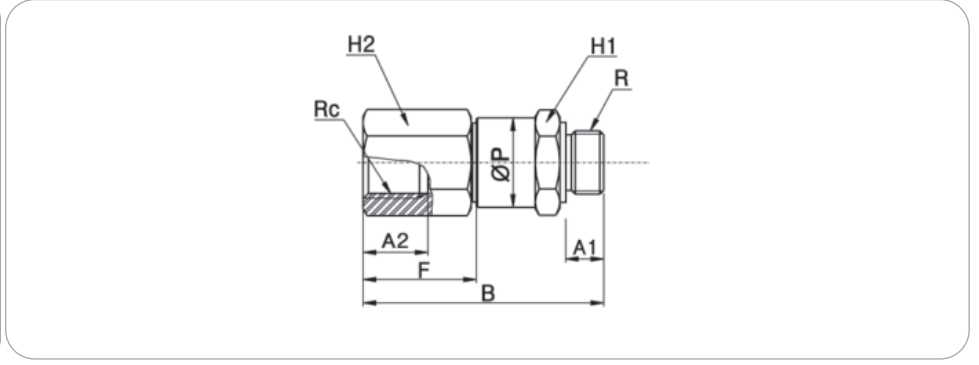


SANG-A NHRF-G Serisi Yüksek Hızlı Düz Dişi Bağlantılar



Bush



Boyutlar

MODEL [ØD-T] Tube: (Metric) - Thread: (G)

MODEL	R	Rc	F	B	ØP	A1	A2	H1	H2	RPM	Orifice (mm)	W.G(g)	Q'ty/ inbox
NHRF G01-G01	G1/8	G1/8	21	49	16.5	8	9	17	14	1200	6	48.2	50
NHRF G01-G02	G1/8	G1/4	24	52	16.5	8	12	17	17	1200	6	50	50
NHRF G02-G01	G1/4	G1/8	21	52	16.5	11	9	17	14	1200	6	60.5	50
NHRF G02-G02	G1/4	G1/4	24	55	16.5	11	12	17	17	1200	6	63.6	50
NHRF G03-G03	G3/8	G3/8	28	63.5	23.5	12	13	24	22	1000	9	126.8	25
NHRF G03-G04	G3/8	G1/2	31	66.5	23.5	12	16	24	24	1000	9	131	25
NHRF G04-G03	G1/2	G3/8	28	66.5	23.5	15	13	24	22	1000	9	145	25
NHRF G04-G04	G1/2	G1/2	31	69.5	23.5	15	16	24	24	1000	9	150.3	25