

LF150

Features and Strengths

Excellent lifting force in both horizontal and vertical application
Dual lip structure to increase safety caused by lip worn and torn

Examples of use

Flat Metal Sheets & Glasses, Veneer Sheets, Electronic Components



Recommended Lifting Force (Max.)

Model	Volume (cm ³)	Lifting Force (Kg) – Perpendicular (Inner / Outer lip)			Lifting Force (Kg) - Parallel		
		- 20 kPa	- 60 kPa	- 90 kPa	- 20 kPa	- 60 kPa	- 90 kPa
LF150	145.00	34.00 / 53.00	51.00 / 79.00	80.00 / 115.00	39.00	43.00	68.00

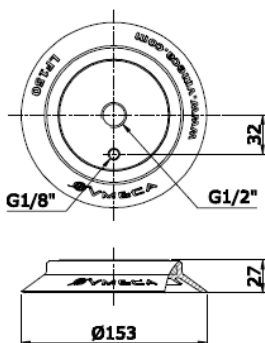
Material Specifications

Material	Hardness Shore (°)	Color	Temperature (°C)
NBR (Nitrile)	60	Black	-20~110
Silicone	55	Red	-70~200
White Silicone	55	Translucent White	-70~200
High temp. Silicone	50	Blue	-70~280
Conductive Silicone (Anti static)	70	Smoky Black	-45~90
Urethane	60	Dark Grey	0~100
Mark Free	75	Black	-10~100

Material Resistance



Description	NBR (Nitrile)	Silicone	White Silicone	High temp. Silicone	Conductive Silicone (Anti static)	Urethane	Mark Free
Wear Resistance	Excellent	Good	Good	Good	Good	Excellent	Good
Oil	Excellent	Poor	Poor	Poor	Poor	Excellent	Excellent
Weather / Ozone	Fair	Excellent	Excellent	Excellent	Excellent	Excellent	Excellent
Alcohol	Good	Good	Good	Good	Good	Fair	Good
Acid	Fair	Poor	Poor	Poor	Poor	Poor	Excellent

[Unit : mm]



[With 12F fitting]

Build an Ordering No.

LF150 -  -  : Pre-mounted fitting

1. Suction Cup 2. Fitting

1. Suction cup	Description	Ordering No.
	Flat and Dual lip structure suction cup, 150mm diameter, G1/2 female, Nitrile (NBR)	LF150-N-12F
	Flat and Dual lip structure suction cup, 150mm diameter, G1/2 female, Silicone	LF150-S-12F
	Flat and Dual lip structure suction cup, 150mm diameter, G1/2 female, White silicone	LF150-WS-12F
	Flat and Dual lip structure suction cup, 150mm diameter, G1/2 female, High temperature silicone	LF150-HS-12F
	Flat and Dual lip structure suction cup, 150mm diameter, G1/2 female, Conductive silicone (Anti-static)	LF150-CS-12F
	Flat and Dual lip structure suction cup, 150mm diameter, G1/2 female, Urethane	LF150-U-12F
	Flat and Dual lip structure suction cup, 150mm diameter, G1/2 female, Mark free	LF150-A-12F

LF200

Features and Strengths

Excellent lifting force in both horizontal and vertical application
Dual lip structure to increase safety caused by lip worn and torn

Examples of use

Flat Metal Sheets & Glasses, Veneer Sheets, Electronic Components



Recommended Lifting Force (Max.)

Model	Volume (cm ³)	Lifting Force (Kg) – Perpendicular (Inner / Outer lip)			Lifting Force (Kg) - Parallel		
		- 20 kPa	- 60 kPa	- 90 kPa	- 20 kPa	- 60 kPa	- 90 kPa
LF200	275.00	78.00 / 150.00	115.00 / 154.00	176.00 / 224.00	65.00	98.00	149.00

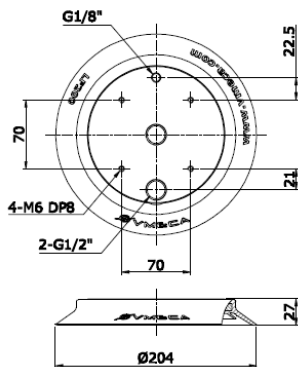
Material Specifications

Material	Hardness Shore (°)	Color	Temperature (°C)
NBR (Nitrile)	60	Black	-20~110
Silicone	55	Red	-70~200
White Silicone	55	Translucent White	-70~200
High temp. Silicone	50	Blue	-70~280
Conductive Silicone (Anti static)	70	Smoky Black	-45~90
Urethane	60	Dark Grey	0~100
Mark Free	75	Black	-10~100

Material Resistance



Description	NBR (Nitrile)	Silicone	White Silicone	High temp. Silicone	Conductive Silicone (Anti static)	Urethane	Mark Free
Wear Resistance	Excellent	Good	Good	Good	Good	Excellent	Good
Oil	Excellent	Poor	Poor	Poor	Poor	Excellent	Excellent
Weather / Ozone	Fair	Excellent	Excellent	Excellent	Excellent	Excellent	Excellent
Alcohol	Good	Good	Good	Good	Good	Fair	Good
Acid	Fair	Poor	Poor	Poor	Poor	Poor	Excellent

[Unit : mm]



[With 12F fitting]

Build an Ordering No.

LF200 -  -  : Pre-mounted fitting

1. Suction Cup 2. Fitting

1. Suction cup	Description	Ordering No.
	Flat and Dual lip structure suction cup, 200mm diameter, G1/2 female, Nitrile (NBR)	LF200-N-12F
	Flat and Dual lip structure suction cup, 200mm diameter, G1/2 female, Silicone	LF200-S-12F
	Flat and Dual lip structure suction cup, 200mm diameter, G1/2 female, White silicone	LF200-WS-12F
	Flat and Dual lip structure suction cup, 200mm diameter, G1/2 female, High temperature silicone	LF200-HS-12F
	Flat and Dual lip structure suction cup, 200mm diameter, G1/2 female, Conductive silicone (Anti-static)	LF200-CS-12F
	Flat and Dual lip structure suction cup, 200mm diameter, G1/2 female, Urethane	LF200-U-12F
	Flat and Dual lip structure suction cup, 200mm diameter, G1/2 female, Mark free	LF200-A-12F

LF250

Features and Strengths

Excellent lifting force in both horizontal and vertical application
Dual lip structure to increase safety caused by lip worn and torn

Examples of use

Flat Metal Sheets & Glasses, Veneer Sheets, Electronic Components



Recommended Lifting Force (Max.)

Model	Volume (cm ³)	Lifting Force (Kg) – Perpendicular (Inner / Outer lip)			Lifting Force (Kg) - Parallel		
		- 20 kPa	- 60 kPa	- 90 kPa	- 20 kPa	- 60 kPa	- 90 kPa
LF250	435.00	134.00 / 167.00	199.00 / 251.00	293.00 / 361.00	114.00	168.00	260.00

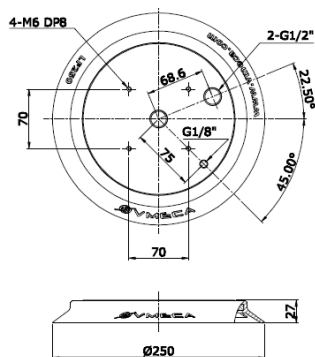
Material Specifications

Material	Hardness Shore (°)	Color	Temperature (°C)
NBR (Nitrile)	60	Black	-20~110
Silicone	55	Red	-70~200
White Silicone	55	Translucent White	-70~200
High temp. Silicone	50	Blue	-70~280
Conductive Silicone (Anti static)	70	Smoky Black	-45~90
Urethane	60	Dark Grey	0~100
Mark Free	75	Black	-10~100

Material Resistance

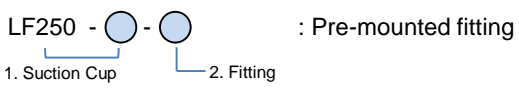
Description	NBR (Nitrile)	Silicone	White Silicone	High temp. Silicone	Conductive Silicone (Anti static)	Urethane	Mark Free
Wear Resistance	Excellent	Good	Good	Good	Good	Excellent	Good
Oil	Excellent	Poor	Poor	Poor	Poor	Excellent	Excellent
Weather / Ozone	Fair	Excellent	Excellent	Excellent	Excellent	Excellent	Excellent
Alcohol	Good	Good	Good	Good	Good	Fair	Good
Acid	Fair	Poor	Poor	Poor	Poor	Poor	Excellent

[Unit : mm]



[With 12F fitting]

Build an Ordering No.



1. Suction cup	Description	Ordering No.
	Flat and Dual lip structure suction cup, 250mm diameter, G1/2 female, Nitrile (NBR)	LF250-N-12F
	Flat and Dual lip structure suction cup, 250mm diameter, G1/2 female, Silicone	LF250-S-12F
	Flat and Dual lip structure suction cup, 250mm diameter, G1/2 female, White silicone	LF250-WS-12F
	Flat and Dual lip structure suction cup, 250mm diameter, G1/2 female, High temperature silicone	LF250-HS-12F
	Flat and Dual lip structure suction cup, 250mm diameter, G1/2 female, Conductive silicone (Anti-static)	LF250-CS-12F
	Flat and Dual lip structure suction cup, 250mm diameter, G1/2 female, Urethane	LF250-U-12F
	Flat and Dual lip structure suction cup, 250mm diameter, G1/2 female, Mark free	LF250-A-12F

LF300

Features and Strengths

Excellent lifting force in both horizontal and vertical application
Dual lip structure to increase safety caused by lip worn and torn

Examples of use

Flat Metal Sheets & Glasses, Veneer Sheets, Electronic Components



Recommended Lifting Force (Max.)

Model	Volume (cm ³)	Lifting Force (Kg) – Perpendicular (Inner / Outer lip)			Lifting Force (Kg) - Parallel		
		- 20 kPa	- 60 kPa	- 90 kPa	- 20 kPa	- 60 kPa	- 90 kPa
LF300	666.00	219.00 / 267.00	327.00 / 384.00	472.00 / 556.00	187.00	278.00	402.00

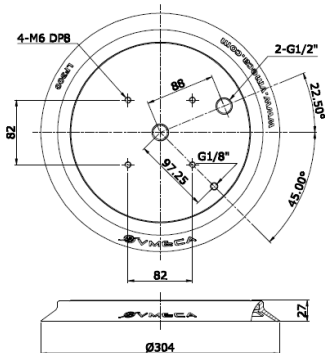
Material Specifications

Material	Hardness Shore (°)	Color	Temperature (°C)
NBR (Nitrile)	60	Black	-20~110
Silicone	55	Red	-70~200
White Silicone	55	Translucent White	-70~200
High temp. Silicone	50	Blue	-70~280
Conductive Silicone (Anti static)	70	Smoky Black	-45~90
Urethane	60	Dark Grey	0~100
Mark Free	75	Black	-10~100

Material Resistance



Description	NBR (Nitrile)	Silicone	White Silicone	High temp. Silicone	Conductive Silicone (Anti static)	Urethane	Mark Free
Wear Resistance	Excellent	Good	Good	Good	Good	Excellent	Good
Oil	Excellent	Poor	Poor	Poor	Poor	Excellent	Excellent
Weather / Ozone	Fair	Excellent	Excellent	Excellent	Excellent	Excellent	Excellent
Alcohol	Good	Good	Good	Good	Good	Fair	Good
Acid	Fair	Poor	Poor	Poor	Poor	Poor	Excellent

[Unit : mm]



[With 12F fitting]

Build an Ordering No.

LF300 -  -  : Pre-mounted fitting

1. Suction Cup 2. Fitting

1. Suction cup	Description	Ordering No.
	Flat and Dual lip structure suction cup, 300mm diameter, G1/2 female, Nitrile (NBR)	LF300-N-12F
	Flat and Dual lip structure suction cup, 300mm diameter, G1/2 female, Silicone	LF300-S-12F
	Flat and Dual lip structure suction cup, 300mm diameter, G1/2 female, White silicone	LF300-WS-12F
	Flat and Dual lip structure suction cup, 300mm diameter, G1/2 female, High temperature silicone	LF300-HS-12F
	Flat and Dual lip structure suction cup, 300mm diameter, G1/2 female, Conductive silicone (Anti-static)	LF300-CS-12F
	Flat and Dual lip structure suction cup, 300mm diameter, G1/2 female, Urethane	LF300-U-12F
	Flat and Dual lip structure suction cup, 300mm diameter, G1/2 female, Mark free	LF300-A-12F