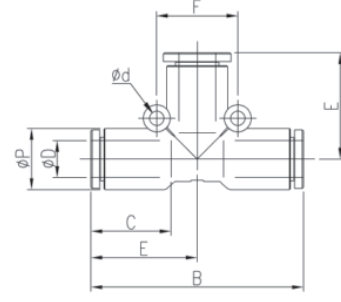
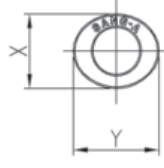


SANG-A GPUT Serisi Te Bağlantılar

Union Tee



Boyutlar

MODEL [ØD-T] Tube: (Metric) - Thread: (R)

MODEL	ØD	ØP	B	C	E	F	Ød	X	Y	Orifice (Ømm)	W.G(g)	Q'ty/ in box
GPUT 03	3	9	34.2	14.5	17.1	12	3.2	8.6	10.8	2.5	5.3	100
GPUT 04	4	9	34.2	14.5	17.1	12	3.2	8.6	10.8	3.2	5.0	100
GPUT 06	6	11.2	38	15.5	19	13	3.2	11	13	5	7.3	50
GPUT 08	8	13.6	47.2	17.8	23.6	18	3.2	13	15	7	14.1	50
GPUT 10	10	16.3	50	19.4	25	24	4.2	16	18.5	9	17.7	25
GPUT 12	12	19.7	64.4	22.4	32.2	28	4.2	19.6	22.5	10	33.5	20
GPUT 14	14	23.5	63.8	24.4	31.9	27	4.2	23	25	12	57.3	12
GPUT 16	16	25.6	68	25	34	30	4.2	24	27	14	53.8	12