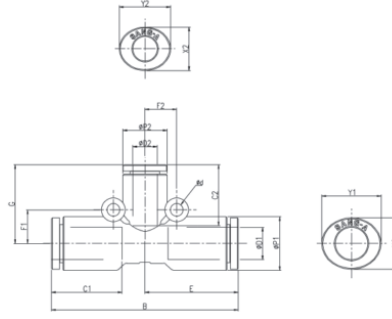


SANG-A GPUG Serisi İnegal Te Bağlantılar

Different Dia of Union Tee



Boyutlar

MODEL [ØD-T] Tube: (Metric) - Thread: (R)

MODEL	ØD1	ØD2	ØP1	ØP2	B	C1	C2	E	F1	F2	G	Ød	X1	Y1	X2	Y2	Orifice (Ømm)	W.G(g)	Q'ty/ inbox
GPUG 0604	6	4	11.2	9	37.9	15.5	14.5	19	6.5	6	18.1	3.2	11	13	8.6	11	3.2	6.2	50
GPUG 0804	8	4	13.6	11.2	47.2	17.8	14.5	23.6	8.5	8	19.6	3.2	13	15	8.6	11	3.2	12.1	50
GPUG 0806	8	6	13.6	11.2	47.2	17.8	15.5	23.6	8.5	8	20	3.2	13	15	11	13	5	10.0	50
GPUG 1006	10	6	16.3	13.6	50	19.4	15.5	25	10	9.5	23.5	4.2	16	19	11	13	5	18.3	25
GPUG 1008	10	8	16.3	16.3	50	19.4	17.8	25	10	9.5	24.1	4.2	16	19	13	15	7	14.7	25
GPUG 1208	12	8	19.7	16.3	64.4	22.4	17.8	32.2	12	10	25.1	4.2	19.5	23	13	15	7	30.1	25
GPUG 1210	12	10	19.7	16.3	64.4	22.4	19.4	32.2	12	10	25.5	4.2	19.5	23	16	19	9	25.6	20