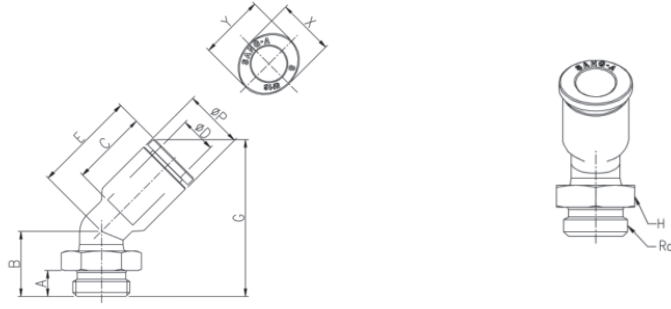


## SANG-A GPL 45G Serisi Döner Dirsek Bağlantılar

Male 45° Elbow



### Boyutlar

MODEL [ØD-T] Tube: (Metric) - Thread: (G)

MODEL	ØD	R	ØP	A	B	C	E	H	G	X	Y	Orifice (Ømm)	W.G(g)	Q'ty/ inbox
GPL45 04G01	4	G1/8	9	5	13.1	14.5	17.1	13	28.1	8.6	10.8	3.2	7.3	100
GPL45 04G02	4	G1/4	9	6	13.8	14.5	17.1	16	28.8	8.6	10.8	3.2	12.2	100
GPL45 04G03	4	G3/8	9	7	15.3	14.5	17.1	20	30.3	8.6	10.8	3.2	20.4	50
GPL45 06G01	6	G1/8	11.2	5	13.7	15.5	18	13	30.1	11	13	4	8.1	100
GPL45 04G02	6	G1/4	11.2	6	14.4	15.5	18	16	30.8	11	13	4	13.0	50
GPL45 04G03	6	G3/8	11.2	7	15.9	15.5	18	20	32.3	11	13	4	21.2	50
GPL45 04G04	6	G1/2	11.2	8.5	17.9	15.5	18	24	34.3	11	13	4	35.8	50
GPL45 08G01	8	G1/8	13.6	5	16.8	17.8	23.6	13	37.9	13	15	5.5	11.4	50
GPL45 08G02	8	G1/4	13.6	6	15	17.8	23.6	16	36.1	13	15	5.5	13.9	50
GPL45 08G03	8	G3/8	13.6	7	16	17.8	23.6	20	37.1	13	15	5.5	21.2	25
GPL45 08G04	8	G1/2	13.6	8.5	18	17.8	23.6	24	39.1	13	15	5.5	35.5	25
GPL45 10G01	10	G1/8	16.3	5	17.9	19.4	25	15	41	16	18.5	6	17.0	25
GPL45 10G03	10	G1/4	16.3	6	18.6	19.4	25	16	41.7	16	18.5	8	20.5	25
GPL45 10G03	10	G3/8	16.3	7	17.1	19.4	25	20	40.2	16	18.5	9	23.6	25
GPL45 10G04	10	G1/2	16.3	8.5	18.6	19.4	25	24	41.7	16	18.5	9	37.3	25
GPL45 12G01	12	G1/8	19.7	5	19.4	22.4	32.2	15	48.7	19.5	22.5	6	19.5	25
GPL45 12G02	12	G1/4	19.7	6	20.1	22.4	32.2	16	49.4	19.5	22.5	8	23.0	25
GPL45 12G03	12	G3/8	19.7	7	18.6	22.4	32.2	20	47.9	19.5	22.5	9.5	26.1	25
GPL45 12G04	12	G1/2	19.7	8.5	20.1	22.4	32.2	24	49.4	19.5	22.5	9.5	39.8	25