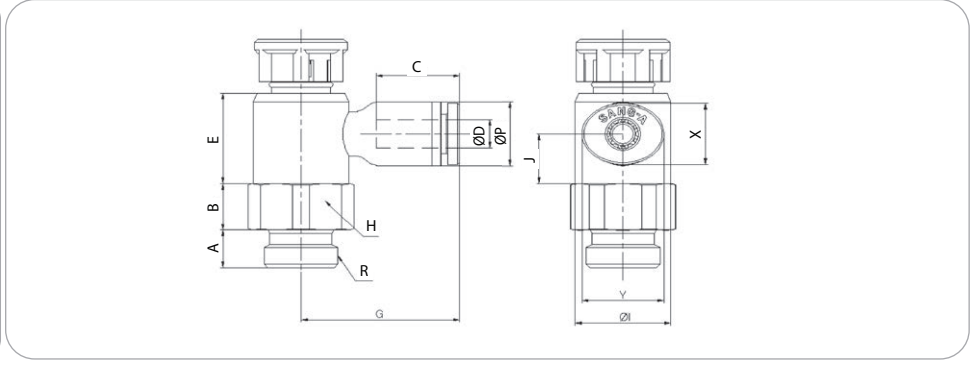


SANG-A GNCS-G Serisi Hız Ayar Valfleri Çıkış Ayarlı



Boyutlar

MODEL [ØD-T] Tube: (Metric) - Thread: (G)

(mm)

MODEL	A	B	C	ØD	E	F	G	I	J	ØP	X	Y	H	R	W.G(g)	Q'ty/ inbox
GNCS 04G01	5.3	6.5	14.5	4.0	12.7	30.6	20.9	12.6	7.0	9.0	8.6	10.8	13.0	G1/8	13.5	50
GNCS 04G02	6.0	9.0	14.5	4.0	14.5	35.8	22.9	16.4	8.3	9.0	8.6	10.8	17.0	G1/4	23.9	50
GNCS 06G01	5.3	6.5	15.5	6.0	12.7	30.6	22.0	12.6	7.0	11.2	11.0	13.0	13.0	G1/8	13.6	50
GNCS 06G02	6.0	9.0	15.5	6.0	14.5	35.8	24.0	16.4	8.3	11.2	11.0	13.0	17.0	G1/4	24.2	50
GNCS 06G03	7.0	10.0	15.5	6.0	16.5	39.8	26.0	18.4	10.0	11.2	11.0	13.0	19.0	G3/8	36.9	25
GNCS 08G01	5.3	6.5	17.8	8.0	12.7	30.6	25.1	12.6	7.0	13.6	13.0	15.0	13.0	G1/8	14.4	50
GNCS 08G02	6.0	9.0	17.8	8.0	14.5	35.8	26.8	16.4	8.3	13.6	13.0	15.0	17.0	G1/4	24.8	50
GNCS 08G03	7.0	10.0	17.8	8.0	16.5	39.8	28.6	18.4	10.0	13.6	13.0	15.0	19.0	G3/8	37.0	25
GNCS 08G04	8.5	14.0	17.8	8.0	21.2	50.2	31.3	23.4	13.7	13.6	13.0	15.0	24.0	G1/2	70.7	20
GNCS 10G01	5.3	6.5	19.4	10.0	12.7	30.6	28.3	12.6	7.0	16.3	16.0	18.5	13.0	G1/8	14.9	25
GNCS 10G02	6.0	9.0	19.4	10.0	14.5	35.8	31.0	16.4	8.3	16.3	16.0	18.5	17.0	G1/4	25.5	25
GNCS 10G03	7.0	10.0	19.4	10.0	16.5	39.8	29.0	18.4	10.0	16.3	16.0	18.5	19.0	G3/8	38.1	25
GNCS 10G04	8.5	14.0	19.4	10.0	21.2	50.2	31.0	23.4	13.7	16.3	16.0	18.5	24.0	G1/2	70.4	20
GNCS 12G02	6.0	9.0	22.4	12.0	14.5	35.8	36.4	16.4	9.3	19.7	19.5	22.5	17.0	G1/4	27.8	25
GNCS 12G03	7.0	10.0	22.4	12.0	16.5	39.8	32.9	18.4	10.0	19.7	19.5	22.5	19.0	G3/8	39.9	25
GNCS 12G04	8.5	14.0	22.4	12.0	21.2	50.2	38.9	23.4	13.7	19.7	19.5	22.5	24.0	G1/2	73.7	20