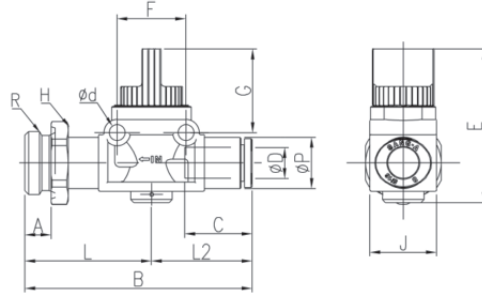
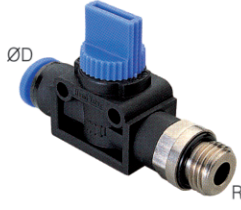


SANG-A GHVSF-G Serisi El Vana Fittingsleri

Straight G Thread-Fitting



Boyutlar

MODEL [ØD-T] Tube: (Metric) - Thread: (G)

MODEL	ØD	ØP	C	L1	L2	A	B	G	F	H	R	Ød	E	J	W.G(g)	Q'ty/ inbox
GHVSF 04-01	4	9	14.5	27.8	21.6	5.3	49.4	22.2	18.2	10	G1/8	4.2	40.7	17.6	20.2	25
GHVSF 04-02	4	9	14.5	28.5	21.6	6	50.1	22.2	18.2	14	G1/4	4.2	40.7	17.6	24.5	25
GHVSF 04-03	4	9	14.5	30	21.6	7	51.6	22.2	18.2	17	G3/8	4.2	40.7	17.6	31.5	25
GHVSF 06-01	6	11.2	15.5	30.3	24.5	5.3	54.8	22.2	18.2	11	G1/8	4.2	40.7	17.6	21.8	25
GHVSF 06-02	6	11.2	15.5	31	24.5	6	55.5	22.2	18.2	14	G1/4	4.2	40.7	17.6	26.2	25
GHVSF 06-03	6	11.2	15.5	32.5	24.5	7	57	22.2	18.2	17	G3/8	4.2	40.7	17.6	32.9	25
GHVSF 08-01	8	13.6	17.8	31.3	26.6	5.3	57.9	22.2	18.2	13	G1/8	4.2	40.7	17.6	23.7	25
GHVSF 08-02	8	13.6	17.8	32.5	26.6	6	59.1	22.2	18.2	14	G1/4	4.2	40.7	17.6	28	25
GHVSF 08-03	8	13.6	17.8	33.5	26.6	7	60.1	22.2	18.2	17	G3/8	4.2	40.7	17.6	33.9	25
GHVSF 10-02	10	16.3	19.4	39	30.5	6	69.5	20.1	24	17	G1/4	4.2	40.9	21.2	42.8	20
GHVSF 10-03	10	16.3	19.4	37.5	30.5	7	68	20.1	24	17	G3/8	4.2	40.9	21.2	43.6	20
GHVSF 10-04	10	16.3	19.4	39	30.5	8.5	69.5	20.1	24	21	G1/2	4.2	40.9	21.2	57	20
GHVSF 12-02	12	19.7	22.4	41	33.4	6	74.4	20.1	24	19	G1/4	4.2	40.9	21.2	54.4	20
GHVSF 12-03	12	19.7	22.4	39.5	33.4	7	72.9	20.1	24	19	G3/8	4.2	40.9	21.2	51	20
GHVSF 12-04	12	19.7	22.4	41	33.4	8.5	74.4	20.1	24	21	G1/2	4.2	40.9	21.2	66	20