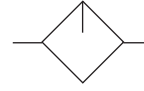


GA Serisi Hazırlık Ünitesi / GA Series Preparation Unit

GAL Serisi Yağlayıcı / GAL Series Lubricator



Sembol / Symbol



Üretim Özelliği / Production feature

1. The structure of oil dripping adopts gap seal type, which makes the adjustment of oil supply more reliable.
2. Oil feed ring can only make one full turn. The quantity of oil supply basically takes on linear distribution. The quantity of oil supply can be generally calculated according to the position of graduation ring.
3. Special drip nozzle structure will produce negative pressure in oil dripping outlet and the mist flow is minimal.
4. Three material of bowl are available: PC, Nylon and metal.
5. Filling of oil while the lubricator is under pressure is made possible, and the oil bowl is large.
6. The bracket can be selected for installation.

Özellikler / Specification

Model	GAL200-06	GAL200-08	GAL300-08	GAL300-10	GAL300-15	GAL400-10	GAL400-15	GAL600-20	GAL600-25
Fluid	Air								
Port size [Note1]	1/8"	1/4"	1/4"	3/8"	1/2"	3/8"	1/2"	3/4"	1"
Pressure range	0.05~1.0MPa(7~145psi)								
Proof pressure	1.5MPa(215psi)								
Temperature range	~5-70°C (Unfreeze)								
Recommended lubricant	ISO VG 32 or equivalent								
Capacity of drain bowl	36CC		98CC		185CC		410CC		
Weight	200g		370g		660g		1040g		

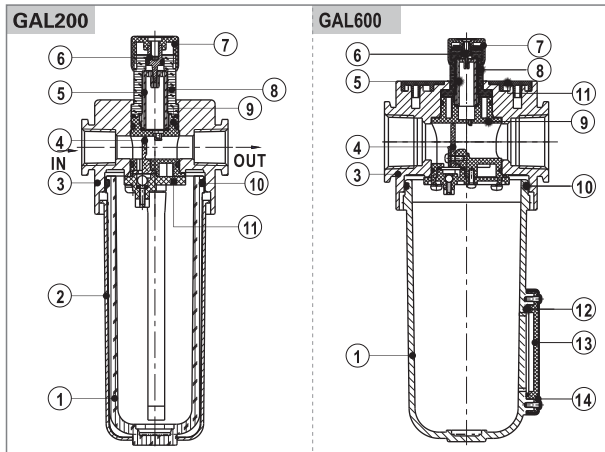
[Note 1] PT thread, G thread and NPT thread are available.

Sipariş Kodu / Ordering Code

 GAL300 10 G


① Model	② Bowl material	③ Port size	④ Accessories	⑤ Thread type
GAL200: GA200 Lubricator	Blank: PC bowl	06: 1/8" 08: 1/4"	Blank: Bracket J: No bracket	Blank: PT G: G T: NPT
GAL300: GA300 Lubricator	C: Metal bowl	08: 1/4" 10: 3/8" 15: 1/2"		
GAL400: GA400 Lubricator	N: Nylon bowl	10: 3/8" 15: 1/2"		
GAL600: GA600 Lubricator	C: Metal bowl	20: 3/4" 25: 1"		

İç Yapısı / Inner structure

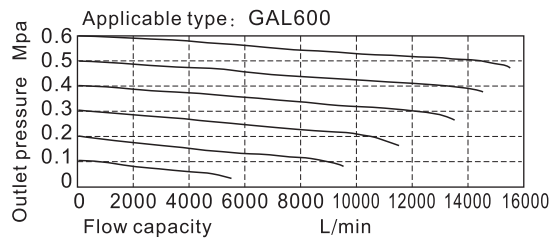
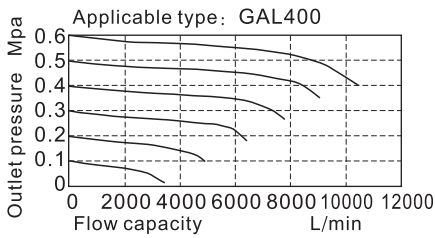
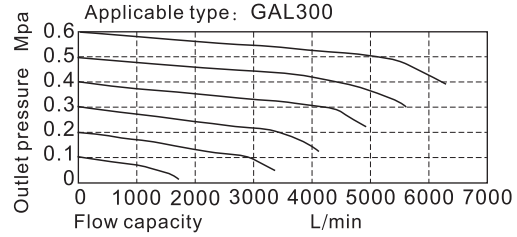
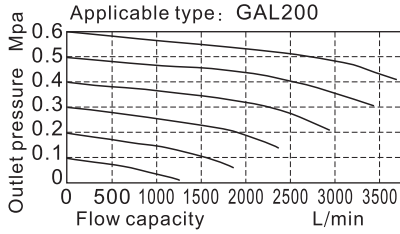


No.	Item	Material
1	Oil bowl	Aluminum alloy \ PC \ Nylon
2	Meter cover	SPCC
3	Body of lubricator	Aluminum alloy
4	Distance block	PU
5	O-ring	NBR
6	Drip pipe	PC
7	Ejector pin	Brass
8	Adjusting ring	POM
9	O-ring	NBR
10	Adjusting looker	PC
11	Sprayer body	PA66
12	O-ring	NBR
13	Sprayer bottom cap	POM
14	Oil tube	PU
15	Filter pluger	Brass
16	Pluger	Carbon steel
17	Buttom	POM
18	Liquid meter seal	NBR
19	Liquid meter inside cover	PC
20	Liquid meter cover	SPCC

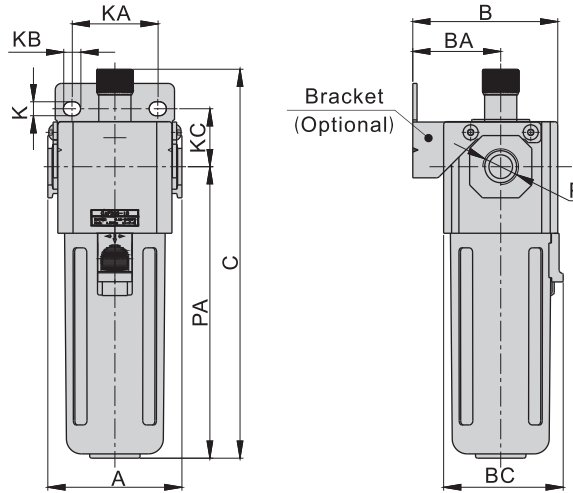
GA Serisi Hazırlık Ünitesi / GA Series Preparation Unit

GAL Serisi Yağlayıcı / GAL Series Lubricator

Akış Şeması / Flow Chart



Boyutlar / Dimensions



Model\Item	A	B	BA	C	K	KA	KB	KC	P	PA
GAL200-06	52.5	54.5	33	146.5	5.4	27	8.4	23	1/8"	107
GAL200-08	52.5	54.5	33	146.5	5.4	27	8.4	23	1/4"	107
GAL300-08	62.5	67.5	41	181	6.5	40	8	27	1/4"	136
GAL300-10	62.5	67.5	41	181	6.5	40	8	27	3/8"	136
GAL300-15	62.5	67.5	41	181	6.5	40	8	27	1/2"	136
GAL400-10	80	84	50	204.5	8.5	55	11	33.5	3/8"	155
GAL400-15	80	84	50	204.5	8.5	55	11	33.5	1/2"	155
GAL600-20	100	113	70	246	11	66	13	50	3/4"	182.5
GAL600-25	100	113	70	246	11	66	13	50	1"	182.5