

Ordering Information

- Capacity equivalent to electricity motor pump size
- Model
- Vacuum Switch
- Sealing



Product Description

M-Duplex pump is similar to the block type in that it uses the components of the mini type multi stage vacuum pump. The pumps are mounted onto a dual station manifold. This manifold enables compact and simple installation. The manifold can accommodate two VTM30 pumps thus producing a VTM60, which gives high flow rates in a compact format. A vacuum switch can be ordered with the unit which piggy backs one of the pumps again for compact and easy installation. There is an option for mounting the exhausts one either side or both on one end of the manifold. There is also the option of connecting vacuum and air supply connections on either side of the manifold block, vacuum connections are BSP 1/2" X2.

Order No.



Model	Capacity equivalent to electricity motor pump size
VTM20KD	0.2KW
VTM30KD	0.3KW
VTM40KD	0.4KW
VTM50KD	0.5KW
VTM60KD	0.6KW

Vacuum Switch
(PC) - Digital display output 2points, No analog supply M8 4-Pin connector type.
(P)G - Digital display output 2points, No analog supply 4-Core 2m Grommet lead wire.
(P)GA - Digital display output 2points, Analog supply 5-Core 2m Grommet lead wire.
S1 - Mechanical vacuum switch
S4 - Flashing LED light display NPN output 2points, No analog supply, 4-Core 1m lead wire.
S5 - Flashing LED light display PNP output 1point, No analog supply, 3-Core 1m lead wire.

Sealing
No mark - Standard (NBR)
V - Viton®
E - EPDM

※ Remark : (P), Output type : PNP open collector

Characteristics

Model	max. vacuum -kPa (-inHg)	Max. vacuum flow (NI/m)	air consumption (NI/m)	noise level (dBA)	weight (g)	min hose inner Ø (within 2m)		
						air supply	vacuum	exhaust
VTM20KD	85 (25.1)	149	60-84	57 - 58	179	>4	>10	>12
VTM30KD		220	90-126	57 - 58	190	>6	>10	>15
VTM40KD		292	120-168	57 - 60	321	>6	>12	>15
VTM50KD		341	150-216	58 - 63	329	>8	>12	>18
VTM60KD		390	180-252	60 - 65	338	>8	>15	>18

Vacuum flow in (NI/m) at different Vacuum level (-kPa)

Model \ -inHg -kPa	0	2.95	5.9	8.85	11.81	14.76	17.71	20.67	23.62
	0	10	20	30	40	50	60	70	80
VTM20KD	149	99	62	54	40	32	22	10,5	2,7
VTM30KD	220	147	92	73	60	47	32	16	4,1
VTM40KD	292	200	110	93	80	63	43	21	5,4
VTM50KD	341	228	135	115	100	79	60	24	6,6
VTM60KD	390	256	259	137	119	94	64	32	8,5

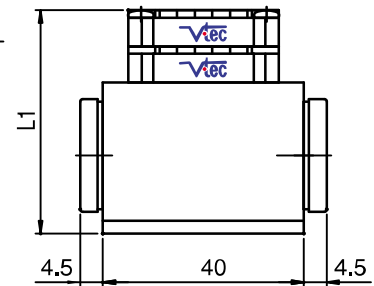
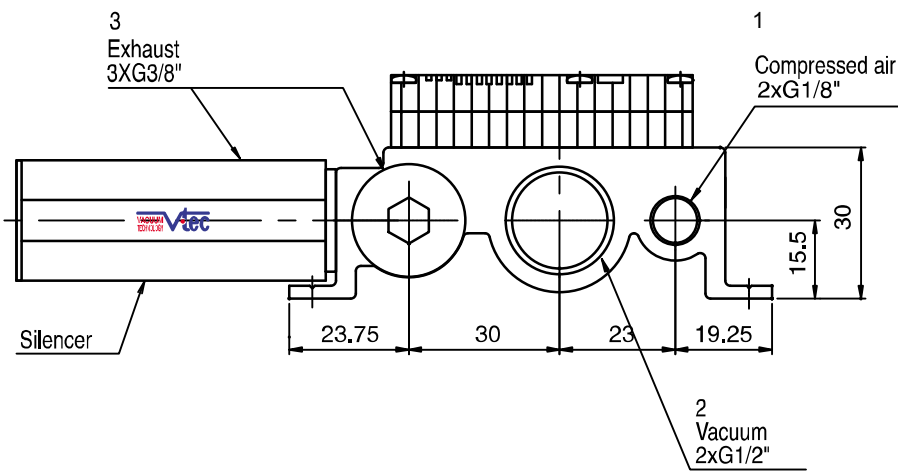
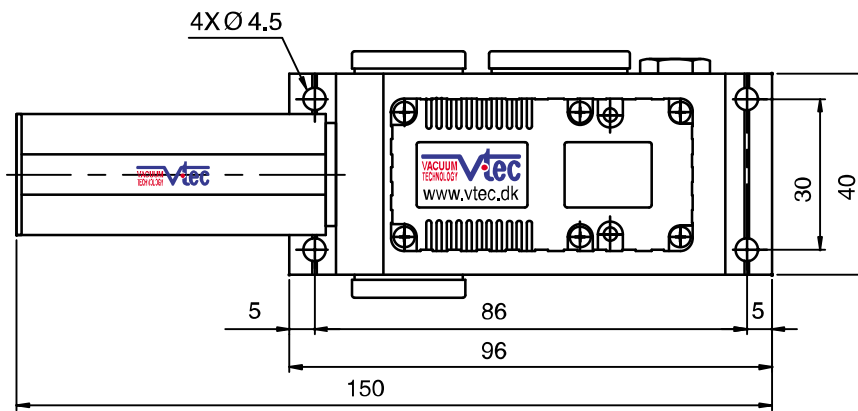
Time in seconds to evacuate to vacuum level (sec/l)

Model \ -inHg -kPa	2.59	5.9	8.85	11.81	14.76	17.71	20.67	23.62
	10	20	30	40	50	60	70	80
VTM20KD	0,054	0,139	0,25	0,394	0,589	0,86	1,317	2,579
VTM30KD	0,041	0,104	0,186	0,295	0,441	0,647	0,898	1,935
VTM40KD	0,027	0,069	0,125	0,197	0,294	0,431	0,658	1,289
VTM50KD	0,023	0,058	0,104	0,164	0,245	0,359	0,549	1,074
VTM60KD	0,018	0,046	0,083	0,131	0,196	0,286	0,439	0,859

Dimensional Information

Standard

VTM(X) 20KD
30

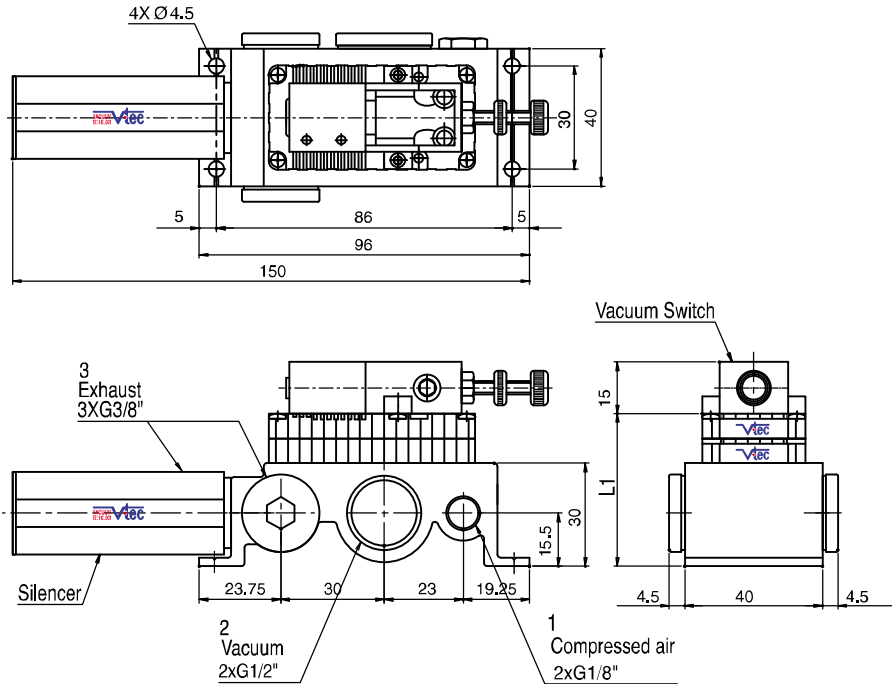


[Measure unit : mm]

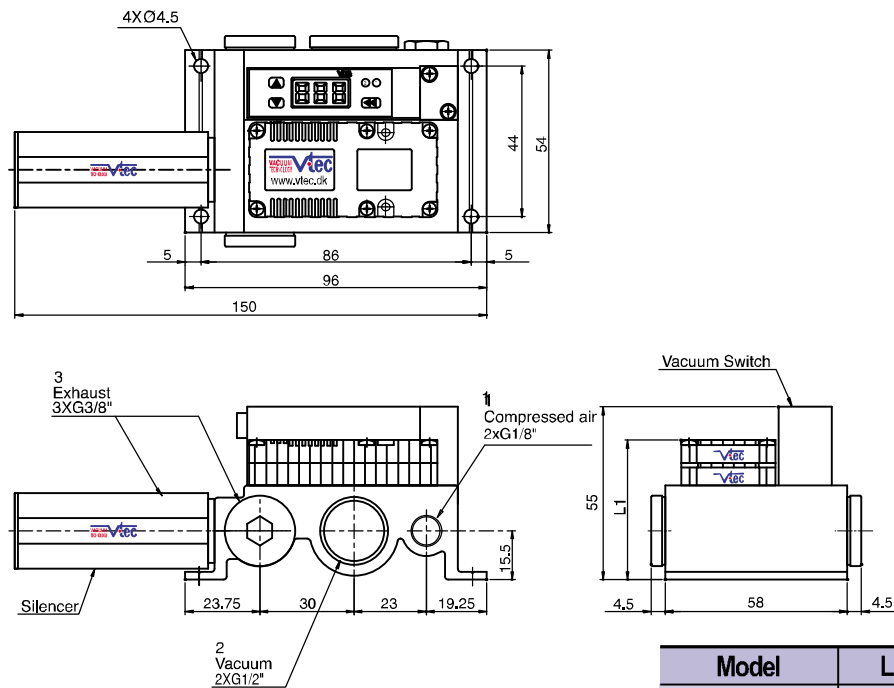
Model	L1 (mm)
VTM(X)20KD	44.4
VTM(X)30KD	51.6

Dimensional Information

with switch S1



with switch → (P)C,(P)G, (P)GA



[Measure unit : mm]

Model	L1 (mm)
VTM(X)20KD	44.4
VTMI(X)30KD	51.6

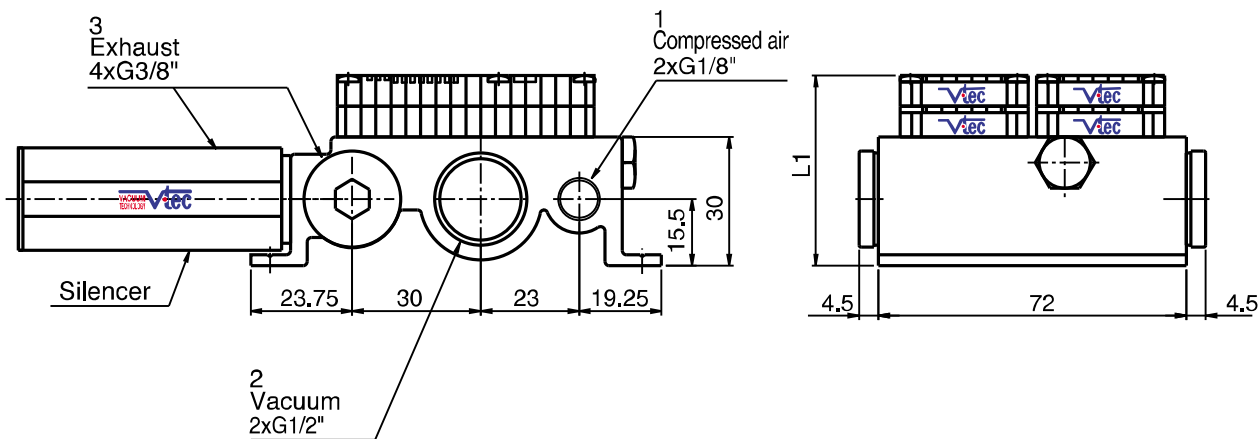
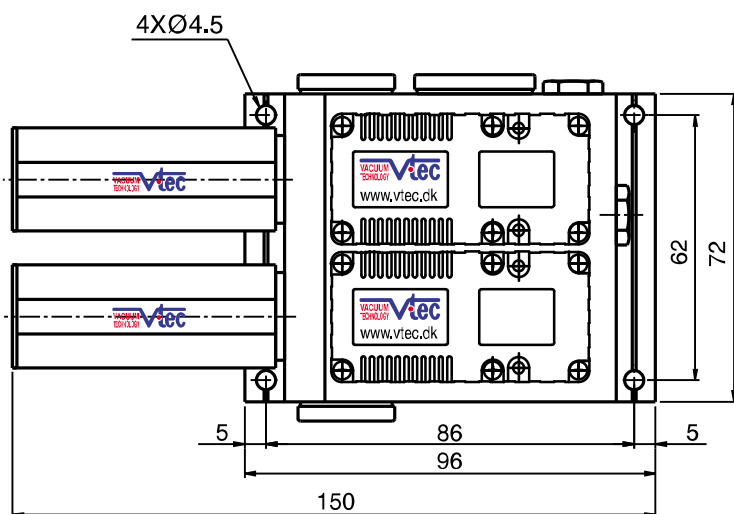
Dimensional Information

Standard

VTM(X) 40KD

50

60

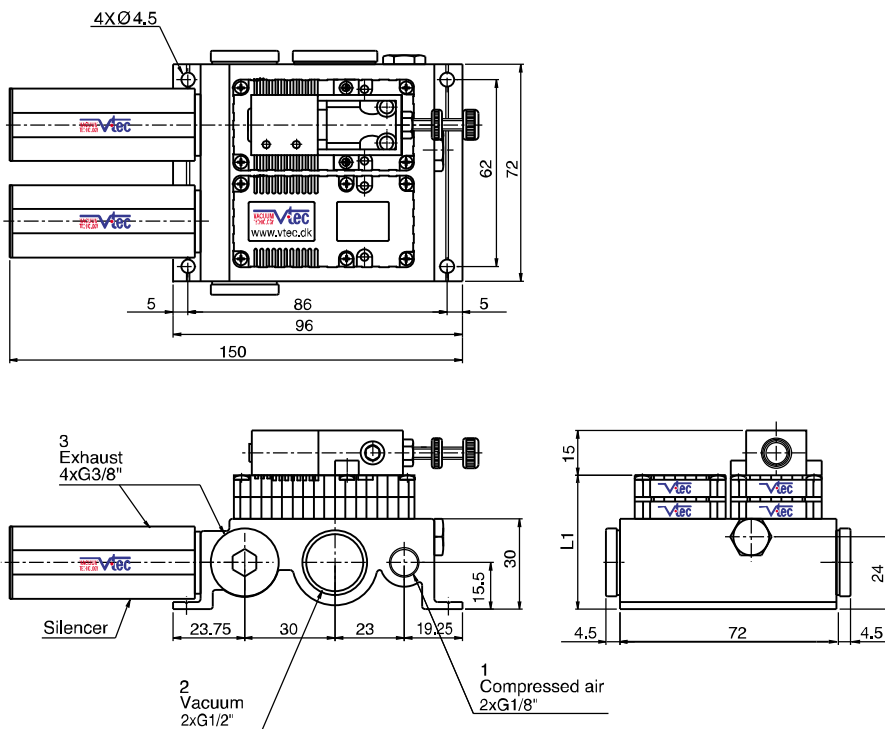


[Measure unit : mm]

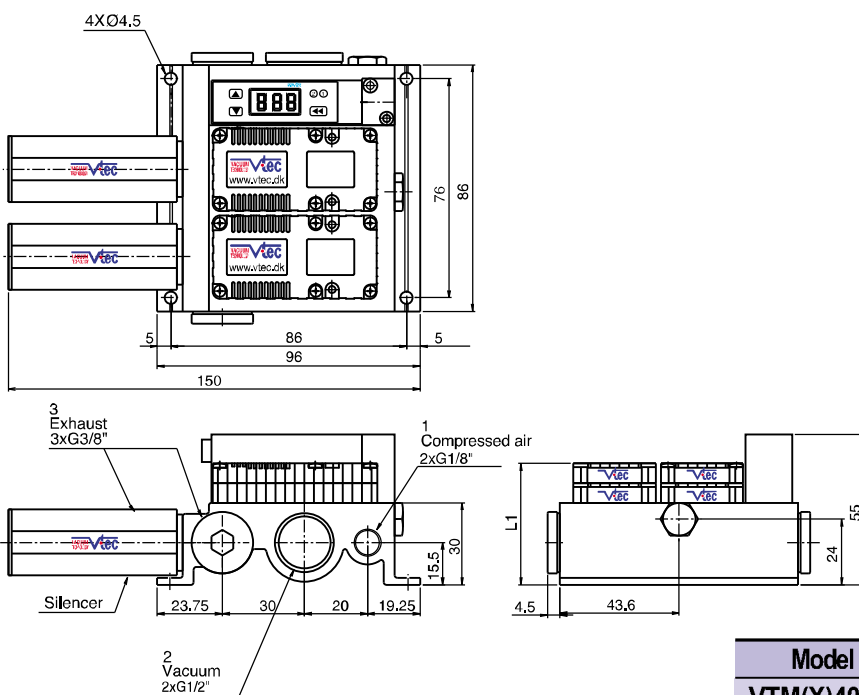
Model	L1 (mm)
VTM(X)40KD	44.4
VTM(X)50KD	51.6
VTM(X)60KD	51.6

Dimensional Information

with swithc S1



with switch → (P)C,(P)G, (P)GA



[Measure unit : mm]

Model	L1 (mm)
VTM(X)40KD	44.4
VTM(X)50KD	51.6
VTM(X)60KD	51.6