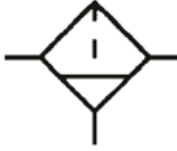


**AD400 Serisi Otomatik Tahliye / AD400 Series Auto-drainer****Özellikler / Specification**

Model	AD400-04	AD400-06,08
Fluid	Compressed air	
Input Port size (G)	1/2"	3/4", 1"
Output Port size (G)	3/8"	1/8"
Operating pressure range (MPa)	0.1~1	
Ambient temperature (°C)	-5~60	

**Sembol / Symbol****Üretim Özelliği / Production feature**

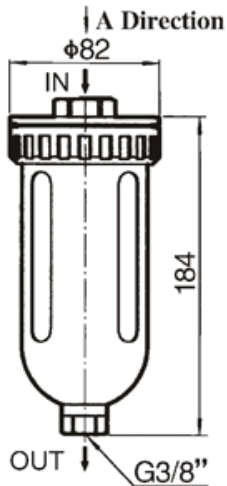
It is usually used to automatically drain water at low points of air systems including pipes, air dryer, oil and water separator, airtank and various air filters, suitable to be mounted at places not convenient for manual water discharge, i.e. high and low points or places with small space, especially where air flow is high and water discharge is frequent, to prevent compressed air from re-contamination in case operator forget to discharge the water.

**Sipariş Kodu / Ordering Code**

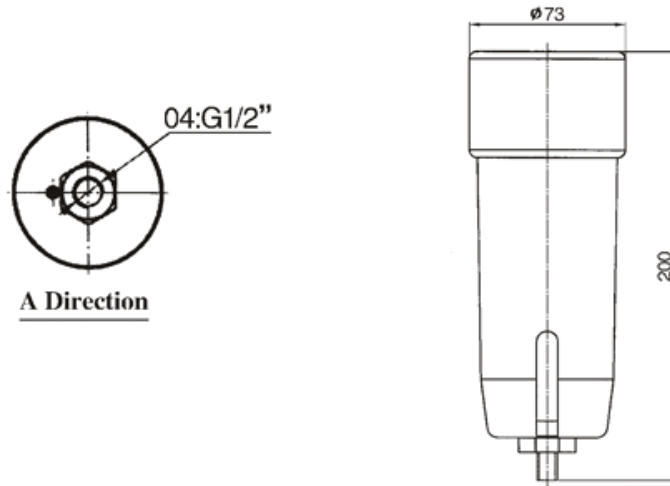
	AD	400	04	
Specification AD: Auto-drainer				Port size 04:G1/2" 06:G3/4" 08:G1"
Type 400 Series				

**Boyutlar / Dimensions (mm)**

AD400-04



AD400-06,08



**AD400 Serisi Otomatik Tahliye / AD400 Series Auto-drainer****Üretim Özelliği / Production feature**

It is mounted at the bottom of automatic drainer, air filter, and the bowl of compressed air relief valve, to automatically discharge the accumulated condensate.

**Boyutlar / Dimensions (mm)**