

WB21 HYDRAULIC MOTOR WITH BRAKER



INTRODUCTION

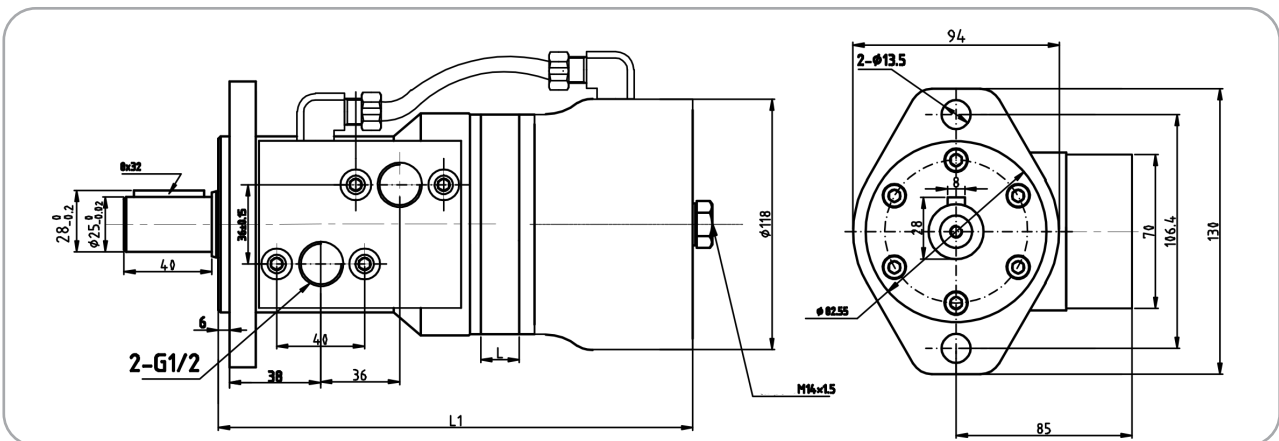
WB21 are W21 orbit hydraulic motor with multi - disc brake. There are shuttle valve and inner hydraulic control system. It has small volume, short radial dimension, low weight and easy to install. It's widely applied in construction machinery, shipping machinery, cranes, mining, port, metallurgical industry, etc.

CHARACTERISTIC FEATURES

- *Simple structure of brake device: Less parts, high reliability, convenient maintenance.
- *Small volume, Light weight, Easy install: The brake & motor is an organic whole, to minimize the volume, light weight ifrm structure, a small space to install.
- *Long noise: Adopt the multi-disk wet brake.
- *High frequency: Brake lining adopts advanced non asbestos material resistant high frequent use.

MAIN SPECIFICATION

Displacement (ml/r)		50	63	80	100	125	160	200	250	315	400	500
(LPM)	Cont.	40	53	58	58	58	58	58	58	58	58	58
Flow	INT.	46	58	68	68	68	68	68	68	68	68	68
(RPM)	Cont.	750	760	653	551	440	344	276	220	175	140	110
Speed	INT.	863	832	766	646	516	404	323	258	205	162	128
(MPa)	Cont.	14	14	14	14	14	14	12.5	11	9	9	8
Pressure	INT.	17	17	17	17	17	17	15	13	11	10	9
(N*m)	Cont.	89	112	142	178	223	285	318	350	360	418	464
Torque	INT.	108	136	172	216	270	346	382	413	400	464	500



Displacement	50	63	80	100	125	160	200	250	315	400	500
L	9	11.5	14.4	18	23	29	35.5	44.5	56	72	90
L1	209	211.5	214.5	218	223	229	235.5	244.5	256	272	300