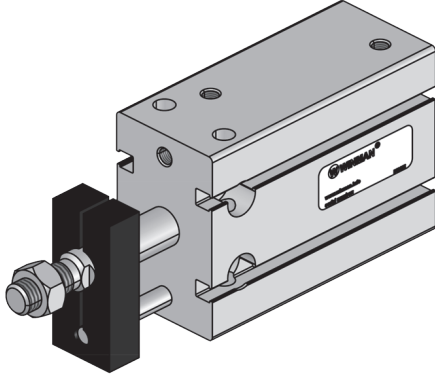


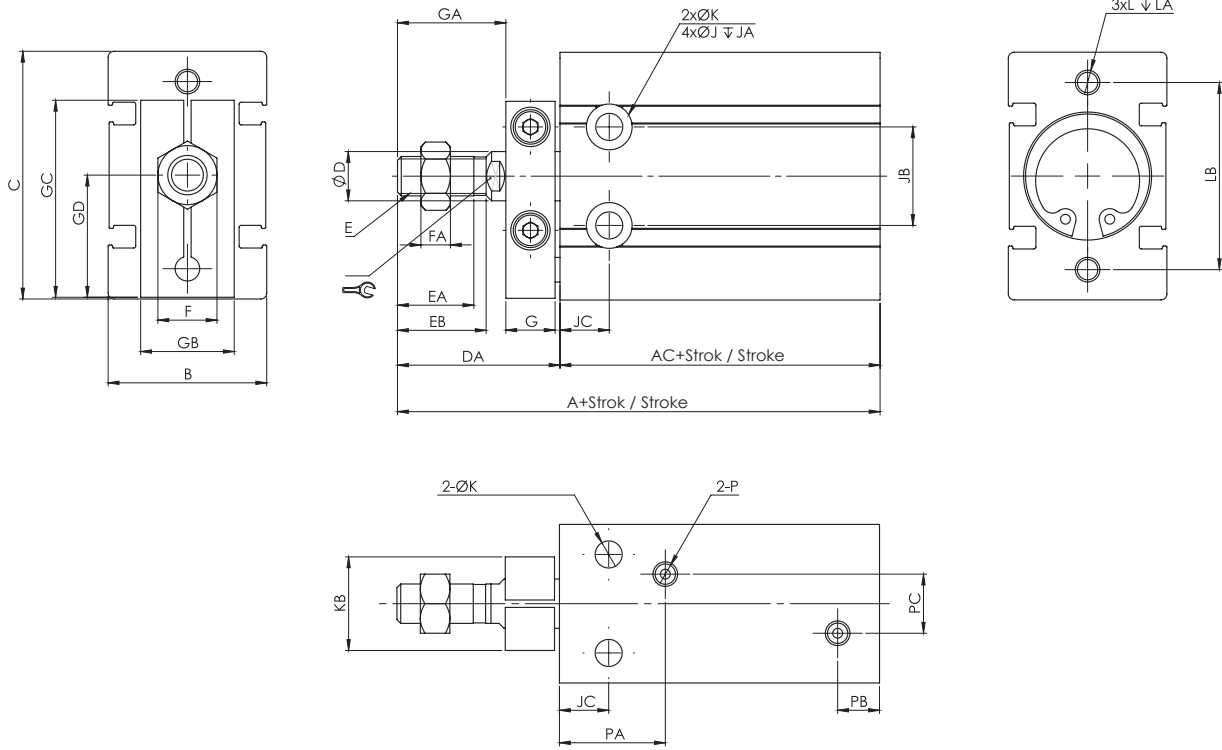
MK - Serisi Silindirler / MK - Series Cylinders



Özellikler / Specification

Piston Çapı / Bore Size	6	10	16	20	25	32
Çalışma Tipi / Acting Type	Çift Etkili / Double Acting					
Akışkan / Fluid	Hava (40µm filtrelenmiş) / Air (40µm filtered)					
Çalışma Basıncı / Op. Pressure	1 ~ 10 bar					
Sıcaklık / Temperature	-20 ~ +80 °C					
Hız / Speed Range	30 ~ 500 mm/s					
Manyetik / Magnetic	Standart / Standard					
Yastıklama Tipi / Cushion Type	Damper / Bumper					
Sensörler / Sensors	WT-06					

Teknik Çizim / Technical Drawing



Ø mm	B	C	D	DA	E	EA	EB	F	FA	G	GA	GB	GC	GD	J	JA	JB	JC	K	KB	L	LA	LB	P	PA	PB	PC	Manyetikiz/Without Magnet		Manyetik/With Magnet		
																												AC	A	AC	A	
6	16.5	22	3	18	M3X0.5	7	8	5.5	2.5	8	9	11	19	10.9	-	6	5	10	7	3.3	7	M3X0.5	5	17	M5X0.8	14	10	-	33	51	33	51
10	16.5	24	4	21	M4X0.7	10	11	7	2	8	12	13	20.5	11.9	-	6	5.5	11	7	3.3	9	M3X0.5	5	18	M5X0.8	15.5	10	-	36	57	36	57
16	20	32	6	26	M5X0.8	11	12.5	8	4	8	17	13	26.5	15.9	5	7.5	6.5	14	7	4.5	12	M4X0.7	5	25	M5X0.8	14.5	10	3	30	56	40	66
20	26	40	8	29	M6X1.0	12	14	10	5	8	20	16	32	19.8	6	9.5	8	16	9	5.5	16	M5X0.8	7.5	30	M5X0.8	19	11	9	36	65	46	75
25	32	50	10	33	M8X1.25	15.5	18	12	6	10	22	19	40	24.8	8	9.5	9	20	10	5.5	20	M5X0.8	8	38	M5X0.8	21.5	8.5	12	40	73	50	83
32	40	62	12	42	M10X1.25	19.5	22	17	6	12	29	24	49	30.8	10	11	11.5	24	11	6.5	24	M6X1.0	9	48	G 1/8"	23	12.5	13	42	84	52	94

Sipariş Kodu / Ordering Code

MODEL MODEL	ÇAP DIA.	STROK STROKE
MK	Ø16	0025
ÇOKLU BAĞLANTI Multi Mounting	PİSTON ÇAP (mm) Piston Dia.	STROK (mm) Stroke